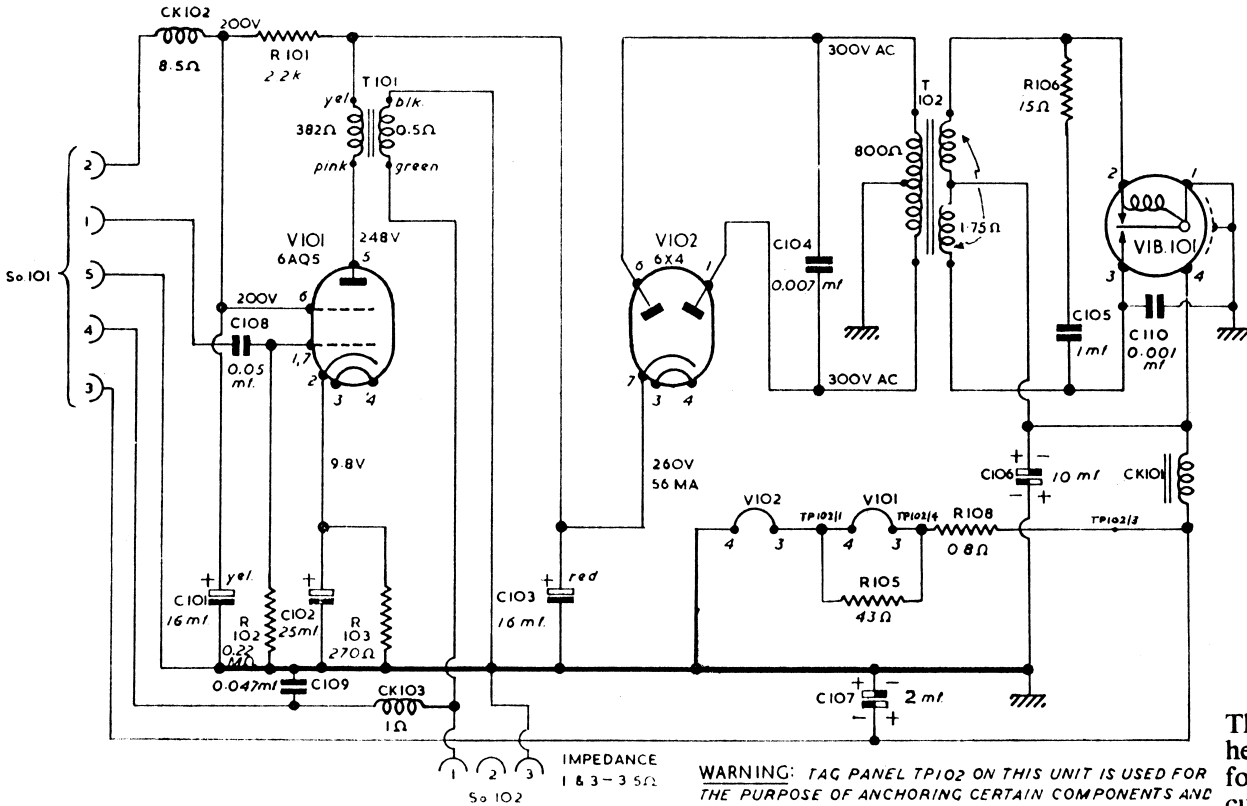
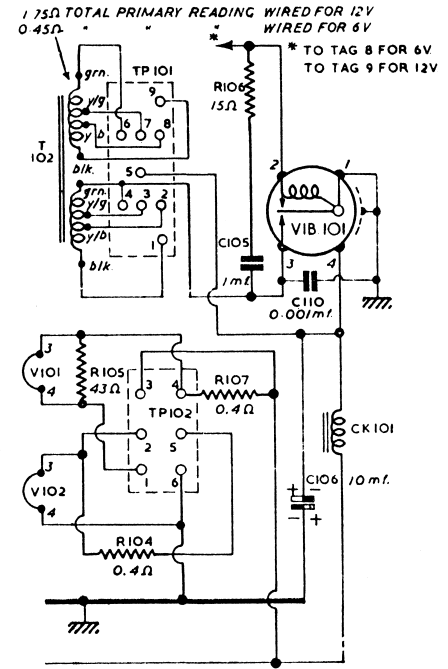


Standard Power/Amplifier Model XA (12 Volt)

H.T. & Heater Circuit Model XC-6 & 12 Volt



WARNING: TAG PANEL TP102 ON THIS UNIT IS USED FOR THE PURPOSE OF ANCHORING CERTAIN COMPONENTS AND NOT FOR VOLTAGE ADJUSTMENT



The circuit shown illustrates the valve heater and vibrator circuit arrangement for this unit. The remainder of the circuit is the same as that for model XA. Instructions regarding the conversion of the unit to either 6 or 12 volt operation may be found under Voltage Adjustment at the foot of the following page.