

SPECIFICATIONS

Hitachi WM-910

H66

CIRCUIT SYSTEM9-transistors superheterodyne
 TUNING RANGEMW 535~1,605KHz (kc)
 SW1 3.2~8.0MHz (Mc)
 SW2 8.0~12MHz (Mc)

TRANSISTOR COMPONENT

2SC460 (B)R. F. Amp.
 2SC454 (B)Frequency Converter
 2SC454 (B)I.F. Amp.
 2SC454 (B)I.F. Amp.
 2SC460 (B)Local osc.
 2SC458 (C)A. F. Amp.
 2SD77 (D)A. F. Amp.
 2SB337 (B) PPower Amp.
 2SB337 (B) PPower Amp.

GERMANIUM DIODE

1N60AGC

1N60Detector
 TR5GSVoltage Regulator
 1N60x2AUX. AGC
 1N60Voltage Compensator

THERMISTOR

13D7x2Temperature Compensator

POWER OUTPUT7W

LOUDSPEAKER4 3/4" x 7 1/8" oval P. M.

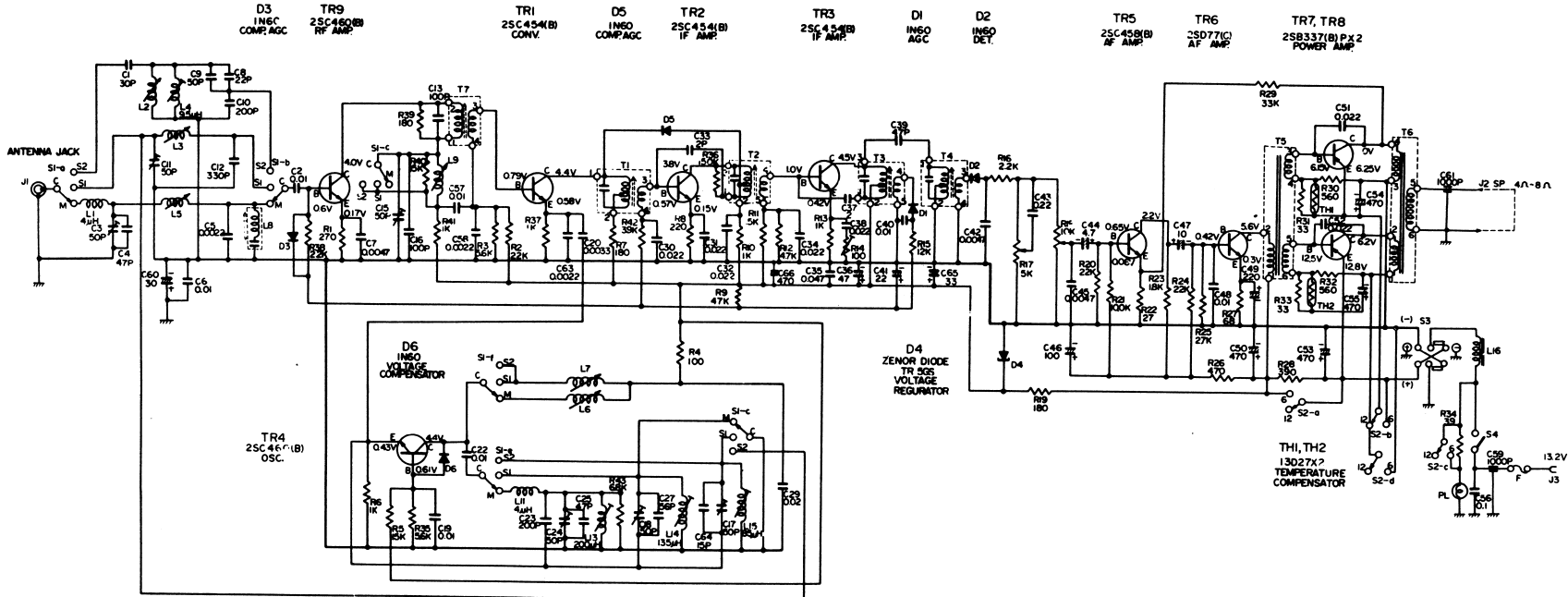
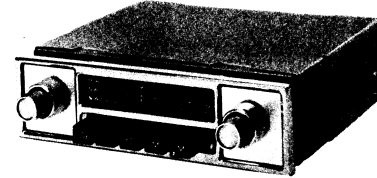
POWER SUPPLYDC 12V/6V (+/H) earth

ANTENNATelescopic antenna for car use

CURRENT CONSUMPTIONS ...140mA (In case of 6V)
 130mA (In case of 12V)

DIMENSIONS(H)2 1/4", (W)7 1/4", (D)5 7/8"
 (50mm) (180mm) (150mm)

WEIGHT3.3 lbs (1.5kg)



H66

Hitachi WM-910

