

VESTAX

SERVICE NOTE

MODEL: PMC-06 T

1. SPECIFICATIONS P. 2-P. 4
2. BLOCK DIAGRAM P. 5
3. CIRCUIT DIAGRAM P. 6-P. 13
4. COMPONENTS LIST P. 14 -P. 21

Vestax Corporation Service Department

(2003-04-09)

*

SPECIFICATIONS

●Nominal Input Level/Impedance

MIC	-54dB/14k Ω
LINE	-10dB/23k Ω
PHONO	-45dB/43k Ω

●Nominal Input Level/Impedance

LINE OUT	± 0 dBV/220 Ω
REC OUT	-10dB/220 Ω

●Frequency Response

30Hz~20kHz +0,-3dBV

●Crosstalk

60dB以上

●SN Ratio

70dB以上

●Dimensions (W×H×D)

180×100×450mm (MAX)

●Weight

3.5 kg

CONTROL AND FUNCTIONS

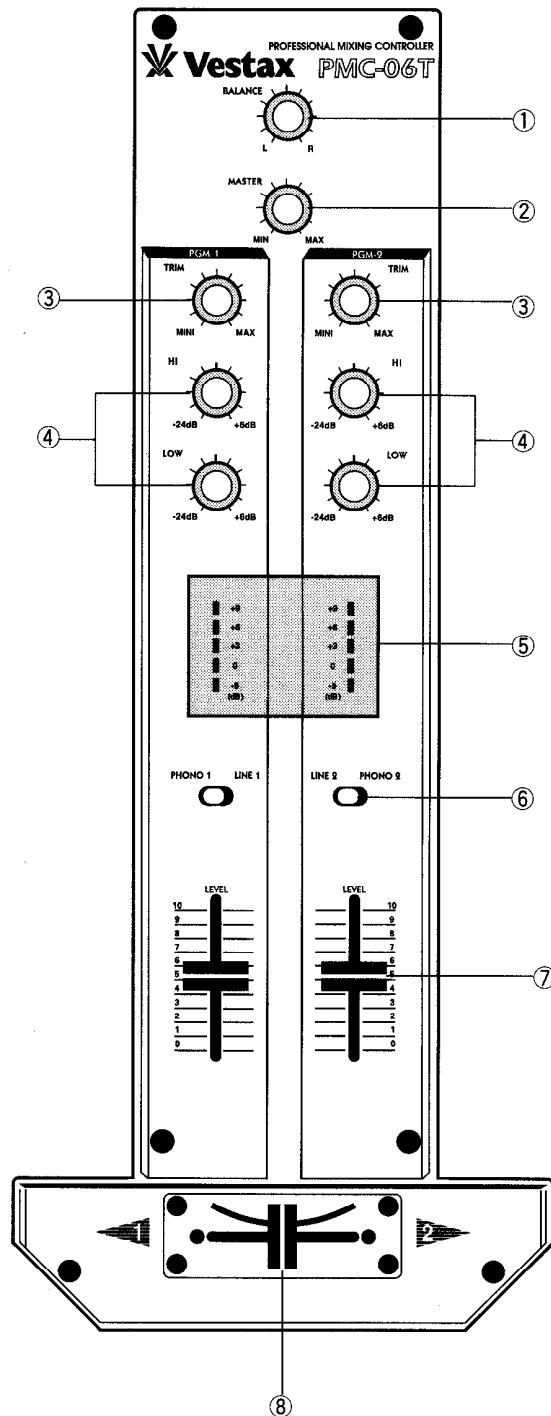
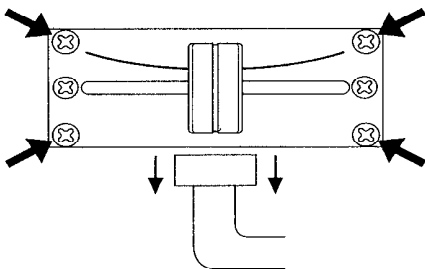
TOP PANEL

- ① **BALANCE VOLUME (MASTER)**
Adjusts the stereo balance for master output. Can be used for adjusting the unbalanced stereo image caused by strong Anti-Skating setting. Clockwise rotation from center position increases volume of R over L channel. Counter clockwise rotation increases volume of L channel over R.
- ② **MASTER VOLUME**
Adjust the master output level.
- ③ **TRIM**
Adjusts input level of each PGM channel. Set INPUT FADER and MASTER FADER at 7-8 position. Set VU METER to indicate at about 0dB.
- ④ **PGM EQ (PGM1, PGM2)**
Adjusts the HI and LO frequencies for each PGM channel.
HI ~ CUT -24dB / BOOST +6dB
LOW ~ CUT -24dB / BOOST +12dB
- ⑤ **INPUT LEVEL METER**
The LED level meters indicate the signal level of each PGM channel. (The LED of most low position is power indicator.)
- ⑥ **INPUT SELECTOR (PGM1, PGM2)**
Used to select the input (LINE or PHONO) to be sent to each PGM channel.
- ⑦ **INPUT FADER (PGM1, PGM2)**
Used to adjust input level of each PGM channel.
- ⑧ **CROSS FADER**
Mixes the signals of PGM1 and PGM2. When the crossfader is set in the center position, both PGM1 and PGM2 can be heard. This is a detachable fader for ease of replacement with CF-R when it is worn out.

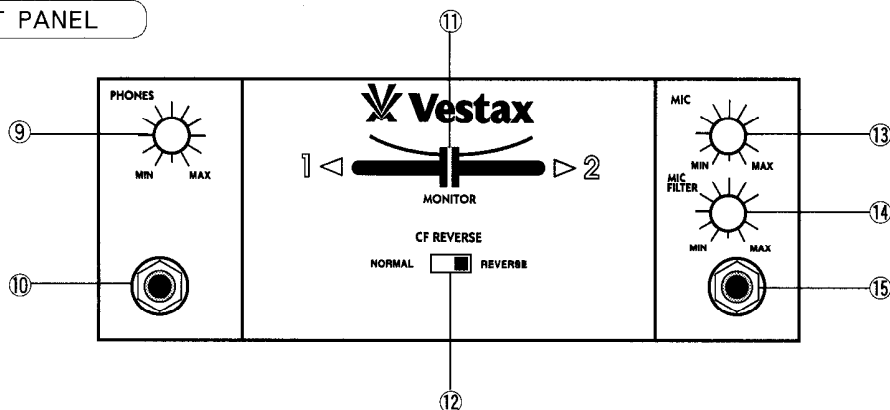
How to replace the fader:

- Remove four screws which hold the fader panel.
- Take the unit out.

- Carefully remove the multi-cable connector from fader unit.
- Insert the connector to the new fader unit.
- Replace the fader unit and fix it with screws.
- Then replace each fader knob.



FRONT PANEL



⑨ HEADPHONES VOLUME

Adjust the headphones output level.

⑩ HEADPHONES JACK

Use this jack to connect the headphones.

⑪ C. F. MONITOR

CF monitor system is adopted with PMC-06T. When move to the side of 1 or 2, mono mixed sound can be heard from the left side of the headphones and mono mixed master output can be heard from the right.

⑫ CROSS FADER REVERSE SWITCH

Usually, as cross fader is moved the left, PGM 1 sounds are outputted. But as this switch is turned on, output sounds are changed PGM 2 sounds for PGM 1 sounds in a moment. So as a crossfader is moved the left, PGM 2 sounds is outputted.

⑬ MIC VOLUME

Adjusts the input level of the MIC connected to the phone connector (1/4) on the rear panel

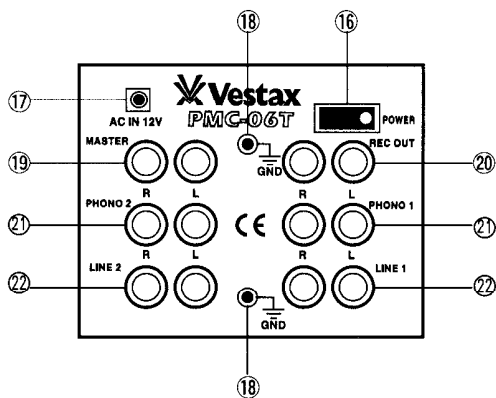
⑭ MIC EQ VOLUME

Adjusts the input tone of the MIC connected to the phone connector (1/4) on the rear panel.

⑮ MIC INPUT JACK

Connect to the mic. (1/4 phone jack)

REAR PANEL



⑯ POWER SWITCH

LED located on front panel is lit when on.

⑰ AC INPUT JACK

Connect AC adapter (AC12V) supplied with this unit.

⑱ GROUND TERMINAL

Connect ground lead of the turntable. This helps to reduce noise and hum.

⑲ MASTER OUTPUT JACK

Connect to the input of power amplifier.

⑳ REC OUTPUT JACK

Connect to the input of tape recorder, DAT, MD, etc. It can not adjust output level and balance with master volume and master balance volume.

㉑ PHONO INPUT JACK

They are used for PGM1 input. Connect turntable equipped with MM pickup cartridge to PHONO input.

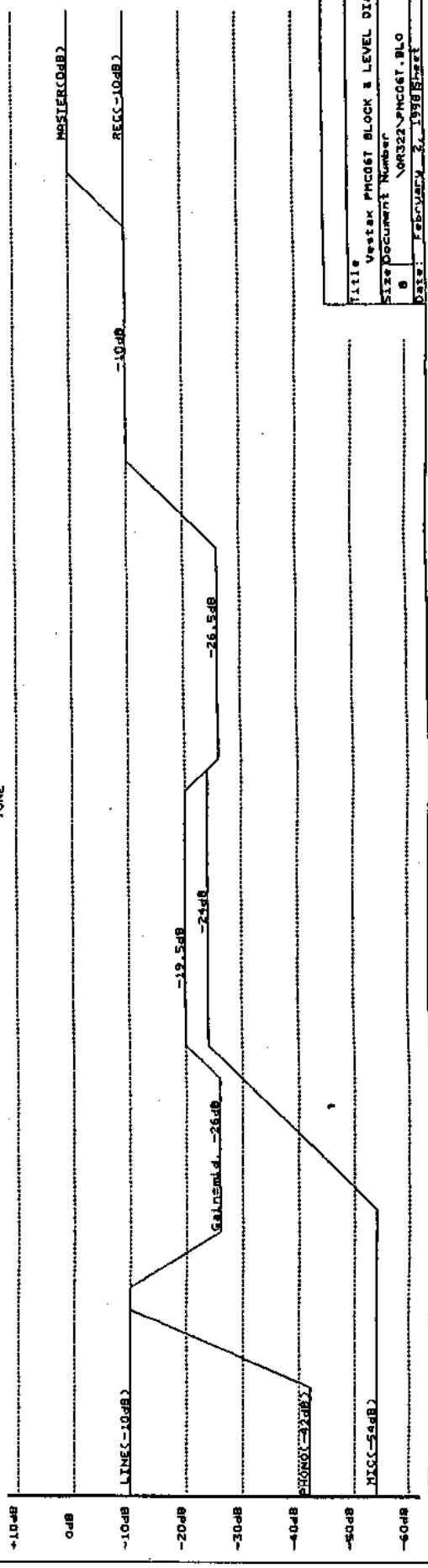
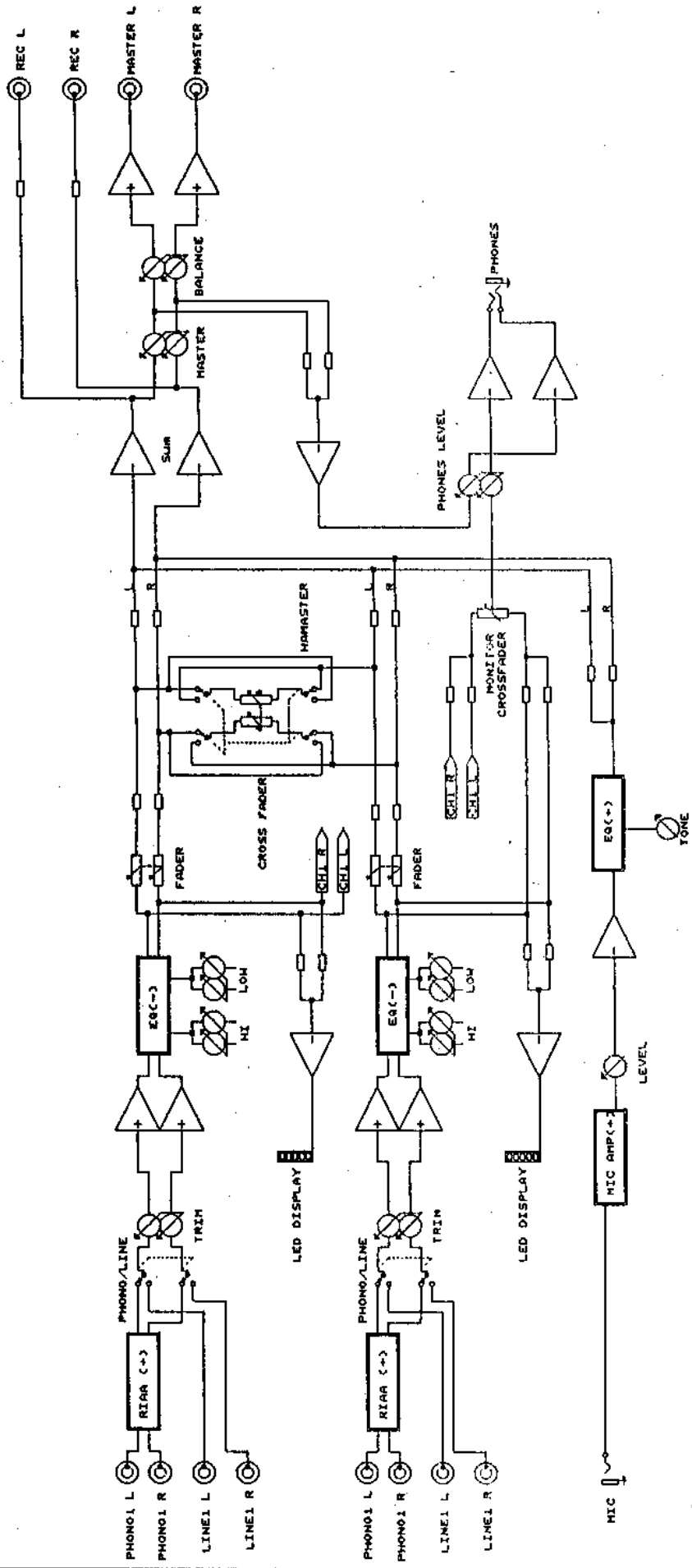
Note: Levels are set for MM type phono cartridge. If MC type phono cartridge is used, a pre-amp is required.

㉒ LINE INPUT JACK

They are used for LINE input. CD player or tape deck are for LINE. Line level musical instruments with stereo outputs such as rhythm machine or sampler are also good for LINE.

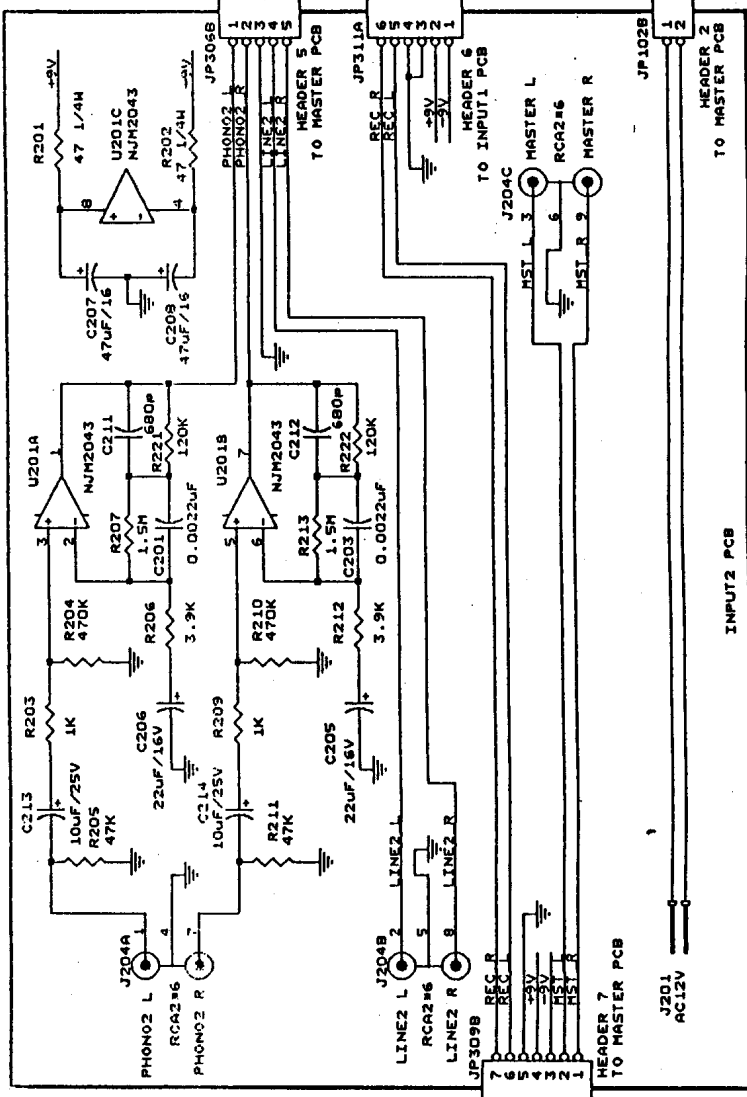
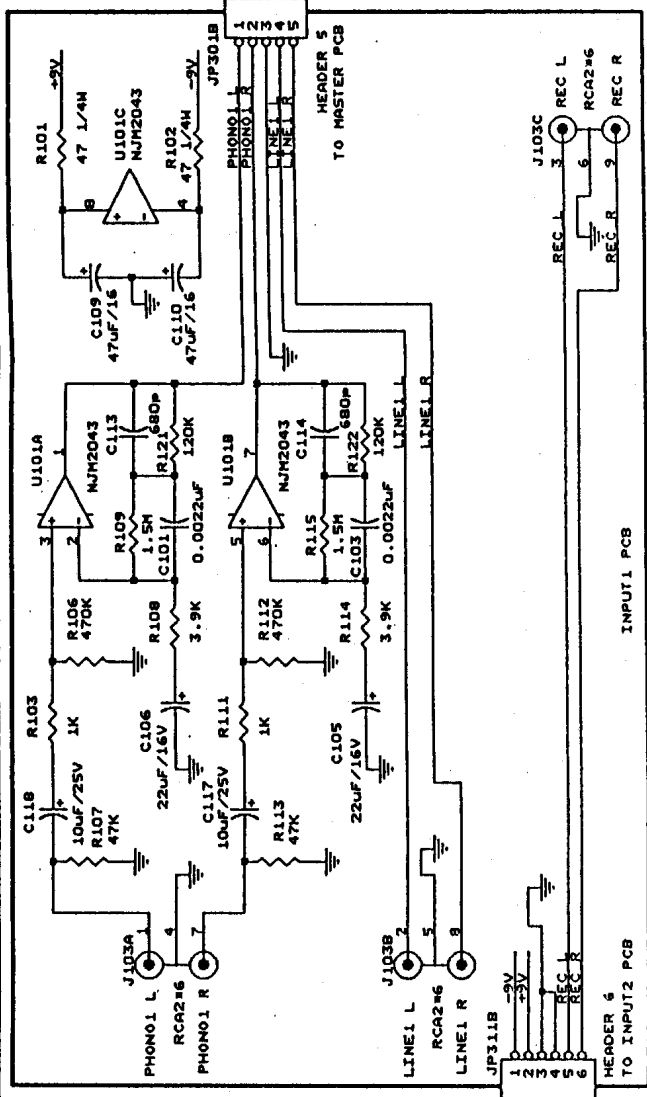
Vestax Corporation

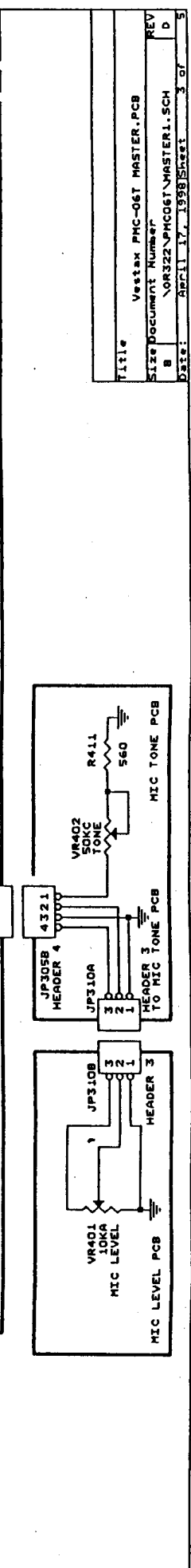
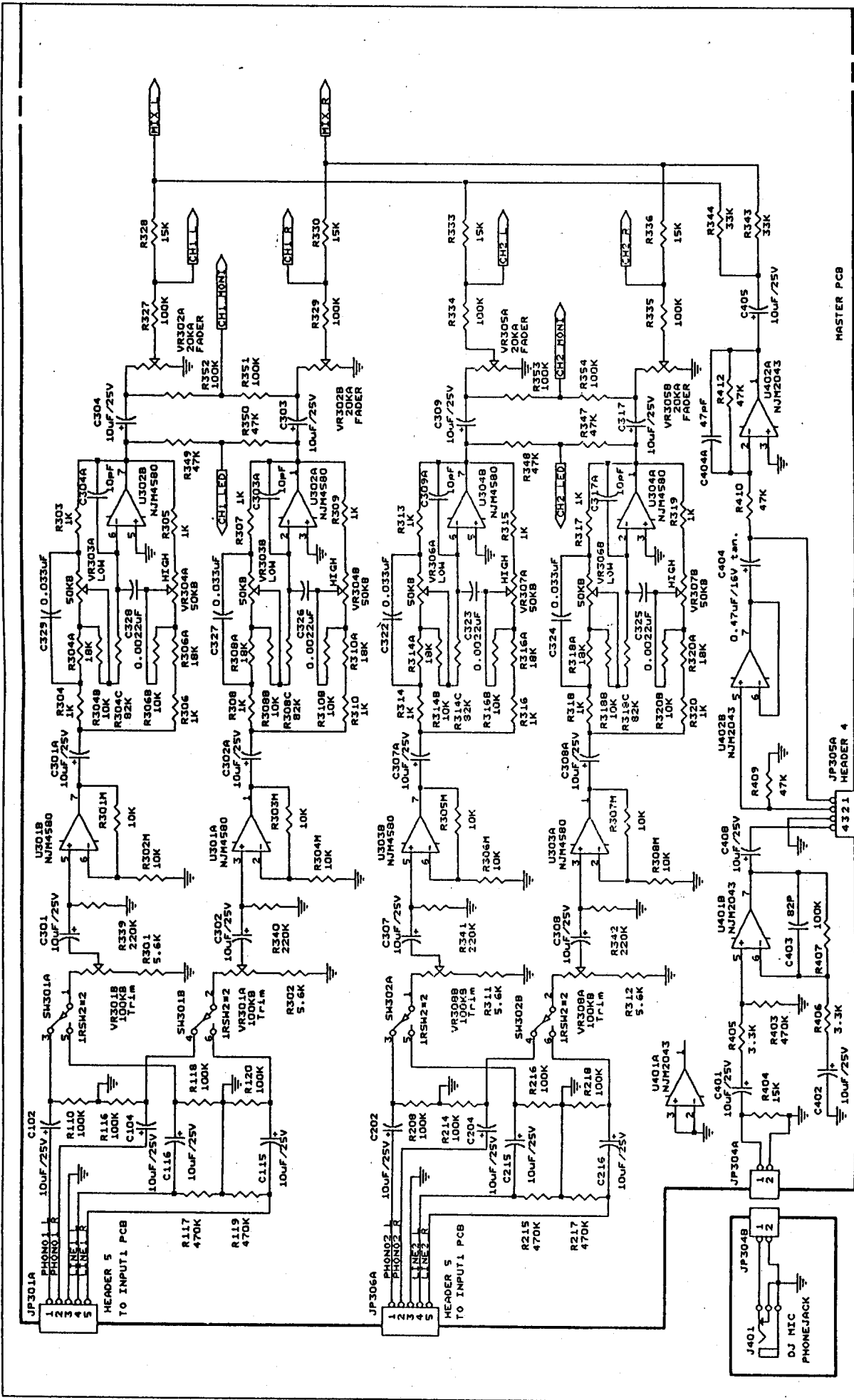
PMC-06T BLOCK DIAGRAM & LEVEL DIAGRAM



Title Vestak PNC06T BLOCK & LEVEL DIAGRAM
 Size Document Number 8
 Part Number VOR322-PNC06T.BLO
 Date FEBRUARY 26, 1978 Sheet 1 of 5

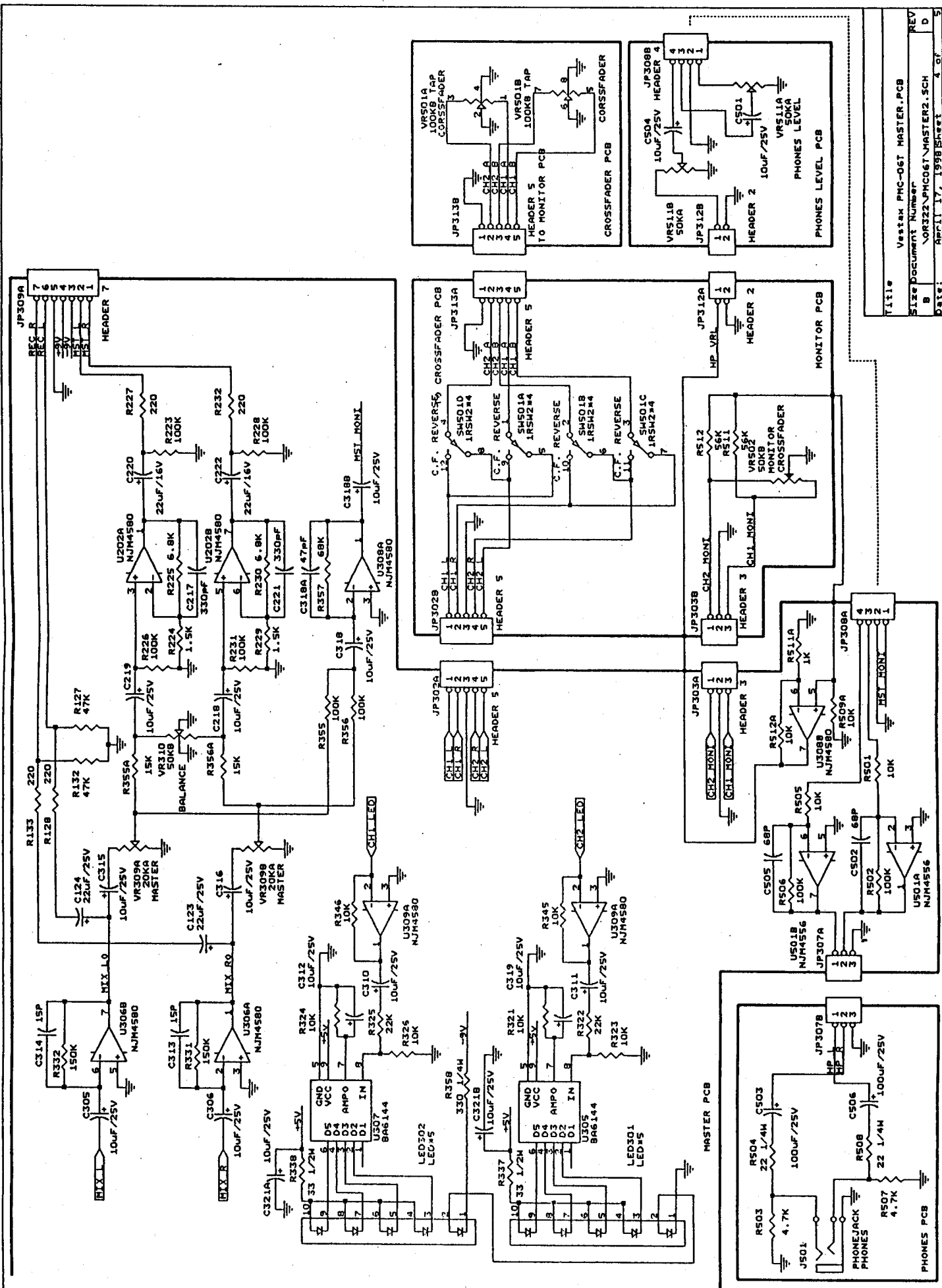
1
 HXC-55dB
 PHONO (-26.5dB)



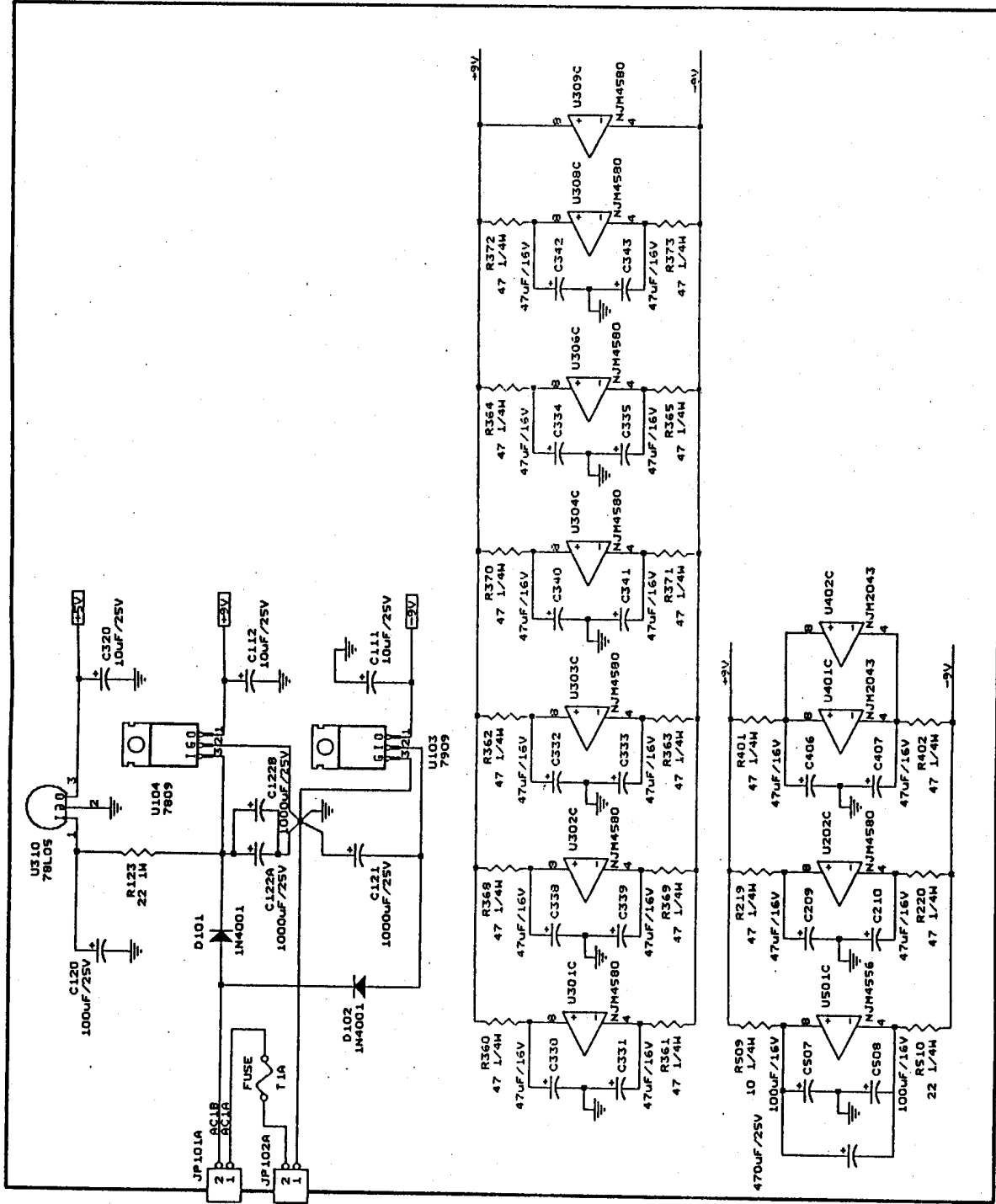


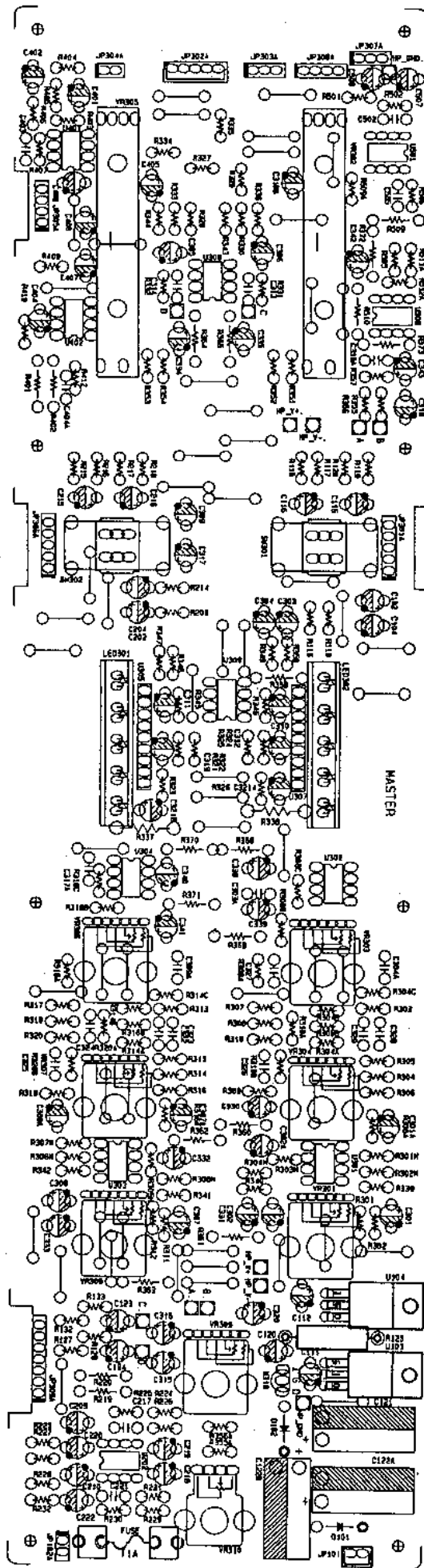
Title	Vestax PMC-06T MASTER.PCB
Size	Document Number
REV	8
REV	\OR322\PMCO6T\MASTER1.SCH
Date:	APR 17, 1998 BScet
	3 of 5

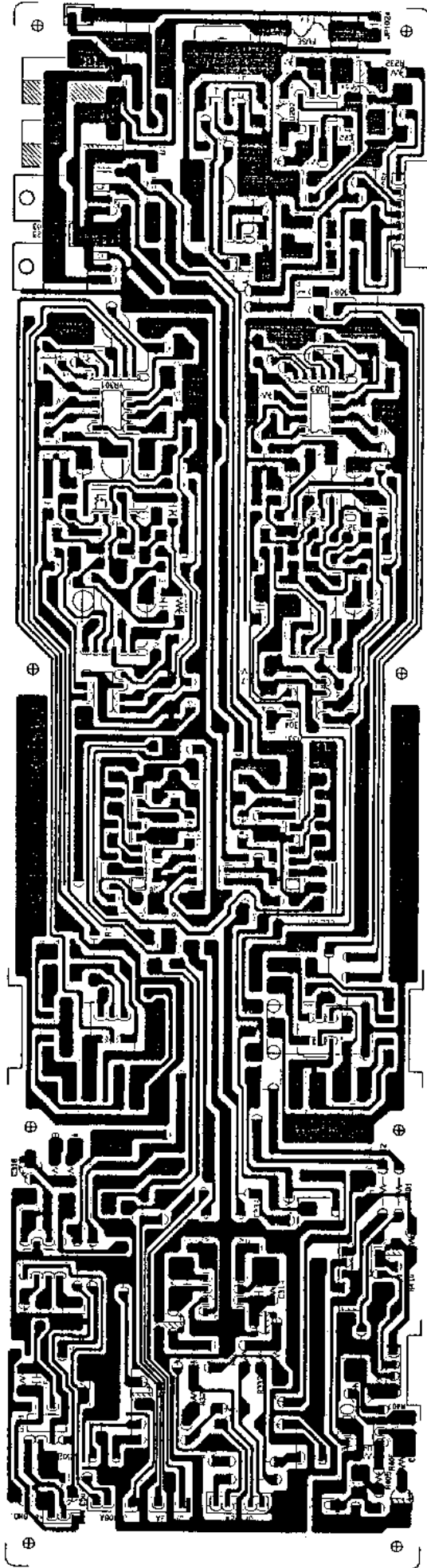
MASTER PCB



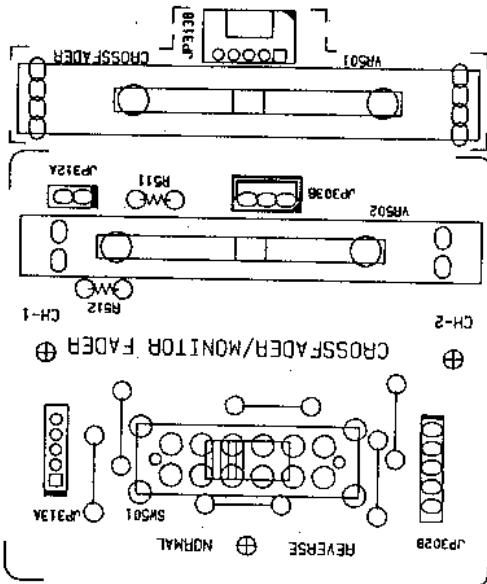
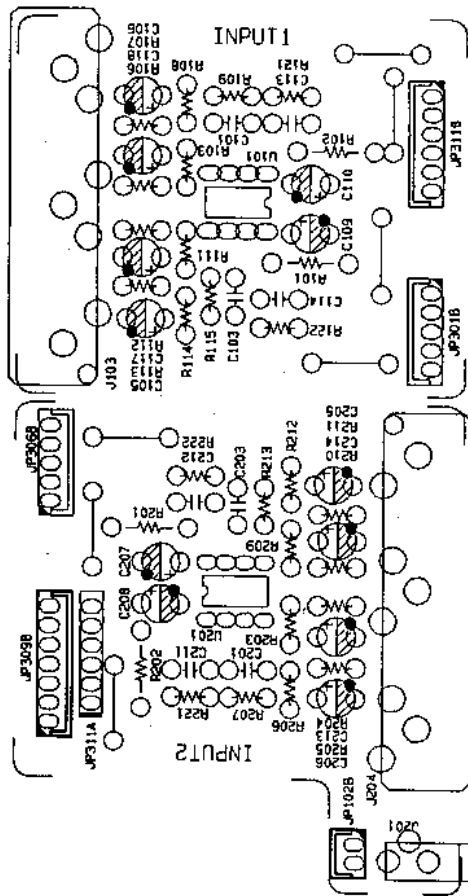
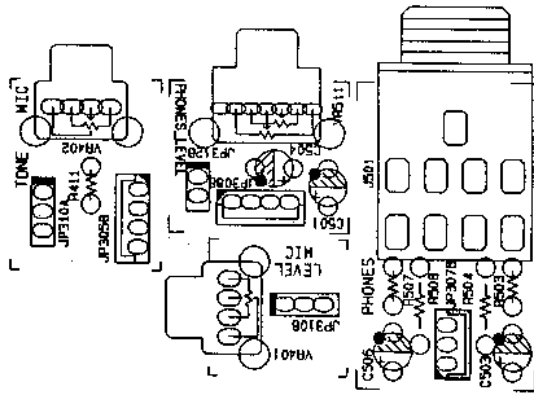
Title Vestax PHC-06T MASTER.PCB
 Size Document Number VOR222-PHC06T-MASTER2.SCH
 REV B
 Date: APRIL 17, 1998 Sheet 4 of 5



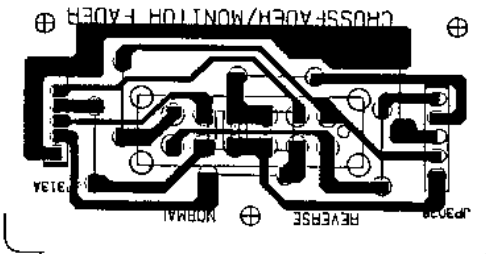
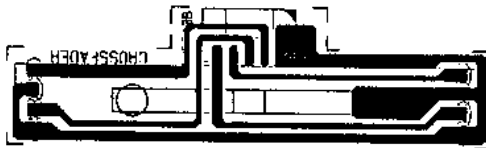
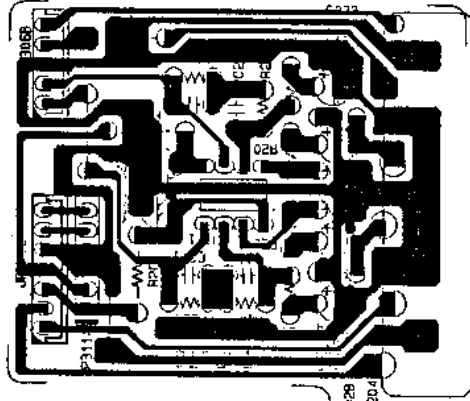
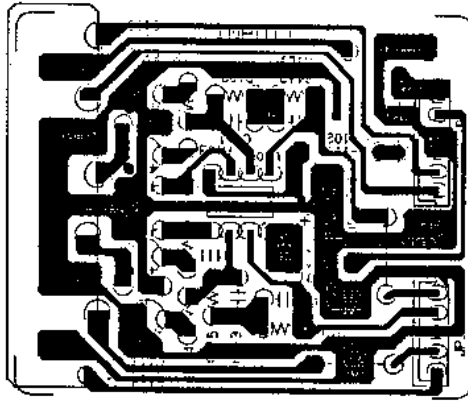
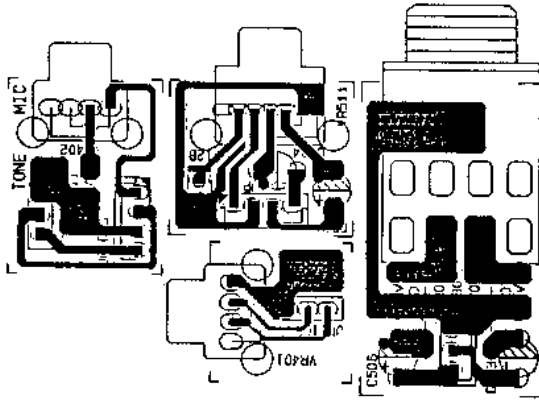




SOLDER II



SOLDER



PMC-06T

SYMBOL#	PARTS NAME	PCB	DESCRIPTION	BRAND
JP 313B		CF	5P WAFER/S A2002WR2-5P (PITCH=2.0mm)	
VR 501	SL/VR	CF	D.SLD/VR 100KBX2 45mm P	
		CF	PMC-06T CROSSFADER M/I	
C 101	MYLAR	INPUT 1	50V 0.0022uF	
C 103	MYLAR	INPUT 1	50V 0.0022uF	
C 105	E.CAP	INPUT 1	16V 22uF	
C 106	E.CAP	INPUT 1	16V 22uF	
C 109	E.CAP	INPUT 1	16V 47uF	
C 110	E.CAP	INPUT 1	16V 47uF	
C 113	C.CAP	INPUT 1	50V 680PF	
C 114	C.CAP	INPUT 1	50V 680PF	
C 117	E.CAP	INPUT 1	25V 10uF	
C 118	E.CAP	INPUT 1	25V 10uF	
J 103	JACK	INPUT 1	SCJ-1020-6H32/6P RCA JACK	
JP 301B		INPUT 1	5P WAFER/S 2532-05	
JP 311B		INPUT 1	6P WAFER/S TJC3-6A	
R 101	RESISTOR	INPUT 1	1/4W 47 OHM	
R 102	RESISTOR	INPUT 1	1/4W 47 OHM	
R 103	RESISTOR	INPUT 1	1/16W 1K OHM	
R 106	RESISTOR	INPUT 1	1/16W 470K OHM	
R 107	RESISTOR	INPUT 1	1/16W 47K OHM	
R 108	RESISTOR	INPUT 1	1/16W 3.9K OHM	
R 109	RESISTOR	INPUT 1	1/16W 1.5M OHM	
R 111	RESISTOR	INPUT 1	1/16W 1K OHM	
R 112	RESISTOR	INPUT 1	1/16W 470K OHM	
R 113	RESISTOR	INPUT 1	1/16W 47K OHM	
R 114	RESISTOR	INPUT 1	1/16W 3.9K OHM	
R 115	RESISTOR	INPUT 1	1/16W 1.5M OHM	
R 121	RESISTOR	INPUT 1	1/16W 120K OHM	
R 122	RESISTOR	INPUT 1	1/16W 120K OHM	
U 101	IC	INPUT 1	NJM2043D JRC	JRC
		INPUT 1	PMC-06T INPUT 1 A/I	
		INPUT 1	PMC-06T INPUT 1 M/I	
		INPUT 1	TINNER WIRE 10mm D0.6	
C 201	MYLAR	INPUT 2	50V 0.0022uF	
C 203	MYLAR	INPUT 2	50V 0.0022uF	
C 205	E.CAP	INPUT 2	16V 22uF	
C 206	E.CAP	INPUT 2	16V 22uF	
C 207	E.CAP	INPUT 2	16V 47uF	
C 208	E.CAP	INPUT 2	16V 47uF	
C 211	C.CAP	INPUT 2	50V 680PF	
C 212	C.CAP	INPUT 2	50V 680PF	
C 213	E.CAP	INPUT 2	25V 10uF	
C 214	E.CAP	INPUT 2	25V 10uF	
J 201	JACK	INPUT 2	SCD-031/DC JACK	
J 204	JACK	INPUT 2	SCJ-1020-6H32/6P RCA JACK	
JP 102B		INPUT 2	2P WAFER/S TJC3-2A	
JP 306B		INPUT 2	5P WAFER/S 2532-05	
JP 309B		INPUT 2	7P WAFER/S TJC3-7A	
JP 311A		INPUT 2	6P WAFER/P 100mm (PITCH=2.5mm)	
R 201	RESISTOR	INPUT 2	1/4W 47 OHM	
R 202	RESISTOR	INPUT 2	1/4W 47 OHM	
R 203	RESISTOR	INPUT 2	1/16W 1K OHM	
R 204	RESISTOR	INPUT 2	1/16W 470K OHM	
R 205	RESISTOR	INPUT 2	1/16W 47K OHM	
R 206	RESISTOR	INPUT 2	1/16W 3.9K OHM	
R 207	RESISTOR	INPUT 2	1/16W 1.5M OHM	
R 209	RESISTOR	INPUT 2	1/16W 1K OHM	

SYMBOL#	PARTS NAME	PCB	DESCRIPTION	BRAND
R 210	RESISTOR	INPUT 2	1/16W 470K OHM	
R 211	RESISTOR	INPUT 2	1/16W 47K OHM	
R 212	RESISTOR	INPUT 2	1/16W 3.9K OHM	
R 213	RESISTOR	INPUT 2	1/16W 1.5M OHM	
R 221	RESISTOR	INPUT 2	1/16W 120K OHM	
R 222	RESISTOR	INPUT 2	1/16W 120K OHM	
U 201	IC	INPUT 2	NJM2043D	JRC
		INPUT 2	PMC-06T INPUT 2 A/I	
		INPUT 2	PMC-06T INPUT 2 M/I	
		INPUT 2	TINNER WIRE 10mm D0.6	
C 102	E.CAP	MASTER	25V 10uF	
C 104	E.CAP	MASTER	25V 10uF	
C 111	E.CAP	MASTER	25V 10uF	
C 112	E.CAP	MASTER	25V 10uF	
C 115	E.CAP	MASTER	25V 10uF	
C 116	E.CAP	MASTER	25V 10uF	
C 120	E.CAP	MASTER	25V 100uF	
C 121	E.CAP	MASTER	25V 1000uF	
C 123	E.CAP	MASTER	25V 22uF	
C 124	E.CAP	MASTER	25V 22uF	
C 202	E.CAP	MASTER	25V 10uF	
C 204	E.CAP	MASTER	25V 10uF	
C 209	E.CAP	MASTER	16V 47uF	
C 210	E.CAP	MASTER	16V 47uF	
C 215	E.CAP	MASTER	25V 10uF	
C 216	E.CAP	MASTER	25V 10uF	
C 217	C.CAP	MASTER	50V 330PF	
C 218	E.CAP	MASTER	25V 10uF	
C 219	E.CAP	MASTER	25V 10uF	
C 220	E.CAP	MASTER	16V 22uF	
C 221	C.CAP	MASTER	50V 330PF	
C 222	E.CAP	MASTER	16V 22uF	
C 301	E.CAP	MASTER	25V 10uF	
C 302	E.CAP	MASTER	25V 10uF	
C 303	E.CAP	MASTER	25V 10uF	
C 304	E.CAP	MASTER	25V 10uF	
C 305	E.CAP	MASTER	25V 10uF	
C 306	E.CAP	MASTER	25V 10uF	
C 307	E.CAP	MASTER	25V 10uF	
C 308	E.CAP	MASTER	25V 10uF	
C 309	E.CAP	MASTER	25V 10uF	
C 310	E.CAP	MASTER	25V 10uF	
C 311	E.CAP	MASTER	25V 10uF	
C 312	E.CAP	MASTER	25V 10uF	
C 313	C.CAP	MASTER	50V 15PF	
C 314	C.CAP	MASTER	50V 15PF	
C 315	E.CAP	MASTER	25V 10uF	
C 316	E.CAP	MASTER	25V 10uF	
C 317	E.CAP	MASTER	25V 10uF	
C 318	E.CAP	MASTER	25V 10uF	
C 319	E.CAP	MASTER	25V 10uF	
C 320	E.CAP	MASTER	25V 10uF	
C 322	MYLAR	MASTER	50V 0.033uF	
C 323	MYLAR	MASTER	50V 0.002uF	
C 324	MYLAR	MASTER	50V 0.033uF	
C 325	MYLAR	MASTER	50V 0.002uF	
C 326	MYLAR	MASTER	50V 0.002uF	
C 327	MYLAR	MASTER	50V 0.033uF	

SYMBOL#	PARTS NAME	PCB	DESCRIPTION	BRAND
C 328	MYLAR	MASTER	50V 0.002uF	
C 329	MYLAR	MASTER	50V 0.033uF	
C 330	E.CAP	MASTER	16V 47uF	
C 331	E.CAP	MASTER	16V 47uF	
C 332	E.CAP	MASTER	16V 47uF	
C 333	E.CAP	MASTER	16V 47uF	
C 334	E.CAP	MASTER	16V 47uF	
C 335	E.CAP	MASTER	16V 47uF	
C 338	E.CAP	MASTER	16V 47uF	
C 339	E.CAP	MASTER	16V 47uF	
C 340	E.CAP	MASTER	16V 47uF	
C 341	E.CAP	MASTER	16V 47uF	
C 342	E.CAP	MASTER	16V 47uF	
C 343	E.CAP	MASTER	16V 47uF	
C 401	E.CAP	MASTER	25V 10uF	
C 402	E.CAP	MASTER	25V 10uF	
C 403	C.CAP	MASTER	50V 82PF	
C 404	TANTALUM.C	MASTER	35V 0.47uF	
C 405	E.CAP	MASTER	25V 10uF	
C 406	E.CAP	MASTER	16V 47uF	
C 407	E.CAP	MASTER	16V 47uF	
C 408	E.CAP	MASTER	25V 10uF	
C 502	C.CAP	MASTER	50V 88PF	
C 505	C.CAP	MASTER	50V 88PF	
C 507	E.CAP	MASTER	16V 100uF	
C 508	E.CAP	MASTER	16V 100uF	
C 122A	E.CAP	MASTER	25V 1000uF	
C 122B	E.CAP	MASTER	25V 1000uF	
C 301A	E.CAP	MASTER	25V 10uF	
C 302A	E.CAP	MASTER	25V 10uF	
C 303A	C.CAP	MASTER	50V 10PF	
C 304A	C.CAP	MASTER	50V 10PF	
C 307A	E.CAP	MASTER	25V 10uF	
C 308A	E.CAP	MASTER	25V 10uF	
C 309A	C.CAP	MASTER	50V 10PF	
C 317A	C.CAP	MASTER	50V 10PF	
C 318A	C.CAP	MASTER	50V 47PF	
C 318B	E.CAP	MASTER	25V 10uF	
C 321A	E.CAP	MASTER	25V 10uF	
C 404A	C.CAP	MASTER	50V 47PF	
D 101	DIODE	MASTER	DIODE 1N4001 SILITEX	
D 102	DIODE	MASTER	DIODE 1N4001 SILITEX	
JP 101		MASTER	2P WAFER/S TJC3-2A	
JP 102A		MASTER	2P WAFER/P 110mm (PITCH=2.5mm)	
JP 301A		MASTER	5P WAFER/P 250mm (PITCH=2.5mm)	
JP 302A		MASTER	5P WAFER/S 2532-05	
JP 303A		MASTER	3P WAFER/P 150mm (PITCH=2.5mm)	
JP 304A		MASTER	2P WAFER/S TJC3-2A	
JP 305A		MASTER	4P WAFER/P 150mm (PITCH=2.5mm)	
JP 306A		MASTER	5P WAFER/P 250mm (PITCH=2.5mm)	
JP 307A		MASTER	3P WAFER/P 120mm (PITCH=2.5mm)	
JP 308A		MASTER	4P WAFER/P 150mm (PITCH=2.5mm)	
JP 309A		MASTER	7P WAFER/P 100mm (PITCH=2.5mm)	
LED 301	LED	MASTER	LED BAR LA08B/3G2H	
LED 302	LED	MASTER	LED BAR LA08B/3G2H	
R 110	RESISTOR	MASTER	1/16W 100K OHM	
R 116	RESISTOR	MASTER	1/16W 100K OHM	
R 117	RESISTOR	MASTER	1/16W 470K OHM	

SYMBOL#	PARTS NAME	PCB	DESCRIPTION	BRAND
R 118	RESISTOR	MASTER	1/16W 100K OHM	
R 119	RESISTOR	MASTER	1/16W 470K OHM	
R 120	RESISTOR	MASTER	1/16W 100K OHM	
R 123	RESISTOR	MASTER	1W 22 OHM	
R 127	RESISTOR	MASTER	1/16W 47K OHM	
R 128	RESISTOR	MASTER	1/16W 220 OHM	
R 132	RESISTOR	MASTER	1/16W 47K OHM	
R 133	RESISTOR	MASTER	1/16W 220 OHM	
R 208	RESISTOR	MASTER	1/16W 100K OHM	
R 214	RESISTOR	MASTER	1/16W 100K OHM	
R 215	RESISTOR	MASTER	1/16W 470K OHM	
R 216	RESISTOR	MASTER	1/16W 100K OHM	
R 217	RESISTOR	MASTER	1/16W 470K OHM	
R 218	RESISTOR	MASTER	1/16W 100K OHM	
R 219	RESISTOR	MASTER	1/4W 47 OHM	
R 220	RESISTOR	MASTER	1/4W 47 OHM	
R 223	RESISTOR	MASTER	1/16W 100K OHM	
R 224	RESISTOR	MASTER	1/16W 1.5K OHM	
R 225	RESISTOR	MASTER	1/16W 6.8K OHM	
R 226	RESISTOR	MASTER	1/16W 100K OHM	
R 227	RESISTOR	MASTER	1/16W 220 OHM	
R 228	RESISTOR	MASTER	1/16W 100K OHM	
R 229	RESISTOR	MASTER	1/16W 1.5K OHM	
R 230	RESISTOR	MASTER	1/16W 6.8K OHM	
R 231	RESISTOR	MASTER	1/16W 100K OHM	
R 232	RESISTOR	MASTER	1/16W 220 OHM	
R 301	RESISTOR	MASTER	1/16W 5.6K OHM	
R 302	RESISTOR	MASTER	1/16W 5.6K OHM	
R 303	RESISTOR	MASTER	1/16W 1K OHM	
R 304	RESISTOR	MASTER	1/16W 1K OHM	
R 305	RESISTOR	MASTER	1/16W 1K OHM	
R 306	RESISTOR	MASTER	1/16W 1K OHM	
R 307	RESISTOR	MASTER	1/16W 1K OHM	
R 308	RESISTOR	MASTER	1/16W 1K OHM	
R 309	RESISTOR	MASTER	1/16W 1K OHM	
R 310	RESISTOR	MASTER	1/16W 1K OHM	
R 311	RESISTOR	MASTER	1/16W 5.6K OHM	
R 312	RESISTOR	MASTER	1/16W 5.6K OHM	
R 313	RESISTOR	MASTER	1/16W 1K OHM	
R 314	RESISTOR	MASTER	1/16W 1K OHM	
R 315	RESISTOR	MASTER	1/16W 1K OHM	
R 316	RESISTOR	MASTER	1/16W 1K OHM	
R 317	RESISTOR	MASTER	1/16W 1K OHM	
R 318	RESISTOR	MASTER	1/16W 1K OHM	
R 319	RESISTOR	MASTER	1/16W 1K OHM	
R 320	RESISTOR	MASTER	1/16W 1K OHM	
R 321	RESISTOR	MASTER	1/16W 10K OHM	
R 322	RESISTOR	MASTER	1/16W 22K OHM	
R 323	RESISTOR	MASTER	1/16W 10K OHM	
R 324	RESISTOR	MASTER	1/16W 10K OHM	
R 325	RESISTOR	MASTER	1/16W 22K OHM	
R 326	RESISTOR	MASTER	1/16W 10K OHM	
R 327		MASTER	TINNER WIRE 5mm D0.6	
R 328	RESISTOR	MASTER	1/16W 15K OHM	
R 329		MASTER	TINNER WIRE 5mm D0.6	
R 330	RESISTOR	MASTER	1/16W 15K OHM	
R 331	RESISTOR	MASTER	1/16W 150K OHM	
R 332	RESISTOR	MASTER	1/16W 150K OHM	

SYMBOL#	PARTS NAME	PCB	DESCRIPTION	BRAND
R 333	RESISTOR	MASTER	1/16W 15K OHM	
R 334	RESISTOR	MASTER	1/16W 100K OHM	
R 335	RESISTOR	MASTER	1/16W 100K OHM	
R 336	RESISTOR	MASTER	1/16W 15K OHM	
R 337	RESISTOR	MASTER	1/2W 33 OHM	
R 338	RESISTOR	MASTER	1/2W 33 OHM	
R 339	RESISTOR	MASTER	1/16W 220K OHM	
R 340	RESISTOR	MASTER	1/16W 220K OHM	
R 341	RESISTOR	MASTER	1/16W 220K OHM	
R 342	RESISTOR	MASTER	1/16W 220K OHM	
R 343	RESISTOR	MASTER	1/16W 33K OHM	
R 344	RESISTOR	MASTER	1/16W 33K OHM	
R 345	RESISTOR	MASTER		
R 346	RESISTOR	MASTER		
R 347	RESISTOR	MASTER	1/16W 47K OHM	
R 348	RESISTOR	MASTER	1/16W 47K OHM	
R 349	RESISTOR	MASTER	1/16W 47K OHM	
R 350	RESISTOR	MASTER	1/16W 47K OHM	
R 351	RESISTOR	MASTER	1/16W 100K OHM	
R 352	RESISTOR	MASTER	1/16W 100K OHM	
R 353	RESISTOR	MASTER	1/16W 100K OHM	
R 354	RESISTOR	MASTER	1/16W 100K OHM	
R 355	RESISTOR	MASTER	1/16W 100K OHM	
R 356	RESISTOR	MASTER	1/16W 100K OHM	
R 357	RESISTOR	MASTER	1/16W 88K OHM	
R 358	RESISTOR	MASTER	1/4W 330 OHM	
R 360	RESISTOR	MASTER	1/4W 47 OHM	
R 361	RESISTOR	MASTER	1/4W 47 OHM	
R 362	RESISTOR	MASTER	1/4W 47 OHM	
R 363	RESISTOR	MASTER	1/4W 47 OHM	
R 364	RESISTOR	MASTER	1/4W 47 OHM	
R 365	RESISTOR	MASTER	1/4W 47 OHM	
R 368	RESISTOR	MASTER	1/4W 47 OHM	
R 369	RESISTOR	MASTER	1/4W 47 OHM	
R 370	RESISTOR	MASTER	1/4W 47 OHM	
R 371	RESISTOR	MASTER	1/4W 47 OHM	
R 372	RESISTOR	MASTER	1/4W 47 OHM	
R 373	RESISTOR	MASTER	1/4W 47 OHM	
R 401	RESISTOR	MASTER	1/4W 47 OHM	
R 402	RESISTOR	MASTER	1/4W 47 OHM	
R 403	RESISTOR	MASTER	1/16W 470K OHM	
R 404	RESISTOR	MASTER	1/16W 15K OHM	
R 405	RESISTOR	MASTER	1/16W 3.3K OHM	
R 406	RESISTOR	MASTER	1/16W 3.3K OHM	
R 407	RESISTOR	MASTER	1/16W 100K OHM	
R 409	RESISTOR	MASTER	1/16W 47K OHM	
R 410	RESISTOR	MASTER	1/16W 47K OHM	
R 412	RESISTOR	MASTER	1/16W 47K OHM	
R 501	RESISTOR	MASTER	1/16W 10K OHM	
R 502	RESISTOR	MASTER	1/16W 100K OHM	
R 505	RESISTOR	MASTER	1/16W 10K OHM	
R 506	RESISTOR	MASTER	1/16W 100K OHM	
R 509	RESISTOR	MASTER	1/4W 10 OHM	
R 510	RESISTOR	MASTER	1/4W 22 OHM	
R 301M	RESISTOR	MASTER	1/16W 10K OHM	
R 302M	RESISTOR	MASTER	1/16W 10K OHM	
R 303M	RESISTOR	MASTER	1/16W 10K OHM	
R 304A	RESISTOR	MASTER	1/16W 18K OHM	

SYMBOL#	PARTS NAME	PCB	DESCRIPTION	BRAND
R 304B	RESISTOR	MASTER	1/16W 10K OHM	
R 304C	RESISTOR	MASTER	1/16W 82K OHM	
R 304M	RESISTOR	MASTER	1/16W 10K OHM	
R 305M	RESISTOR	MASTER	1/16W 10K OHM	
R 306A	RESISTOR	MASTER	1/16W 18K OHM	
R 306B	RESISTOR	MASTER	1/16W 10K OHM	
R 306M	RESISTOR	MASTER	1/16W 10K OHM	
R 307M	RESISTOR	MASTER	1/16W 10K OHM	
R 308A	RESISTOR	MASTER	1/16W 18K OHM	
R 308B	RESISTOR	MASTER	1/16W 10K OHM	
R 308C	RESISTOR	MASTER	1/16W 82K OHM	
R 308M	RESISTOR	MASTER	1/16W 10K OHM	
R 310A	RESISTOR	MASTER	1/16W 18K OHM	
R 310B	RESISTOR	MASTER	1/16W 10K OHM	
R 314A	RESISTOR	MASTER	1/16W 18K OHM	
R 314B	RESISTOR	MASTER	1/16W 10K OHM	
R 314C	RESISTOR	MASTER	1/16W 82K OHM	
R 316A	RESISTOR	MASTER	1/16W 18K OHM	
R 316B	RESISTOR	MASTER	1/16W 10K OHM	
R 318A	RESISTOR	MASTER	1/16W 18K OHM	
R 318B	RESISTOR	MASTER	1/16W 10K OHM	
R 318C	RESISTOR	MASTER	1/16W 82K OHM	
R 320A	RESISTOR	MASTER	1/16W 18K OHM	
R 320B	RESISTOR	MASTER	1/16W 10K OHM	
R 355A	RESISTOR	MASTER	1/16W 15K OHM	
R 356A	RESISTOR	MASTER	1/16W 15K OHM	
R 509A	RESISTOR	MASTER		
R 511A	RESISTOR	MASTER	1/16W 1K OHM	
R 512A	RESISTOR	MASTER	1/16W 10K OHM	
SW 301	SL/SW	MASTER	LBC22B15K SILVER	
SW 302	SL/SW	MASTER	LBC22B15K SILVER	
U 103	IC	MASTER	NJM7909	JRC
U 104	IC	MASTER	MC7809C	SAMSUNG
U 202	IC	MASTER	NJM 4580D	JRC
U 301	IC	MASTER	LM78L05	NS
U 301	IC	MASTER	NJM 4580D	JRC
U 302	IC	MASTER	NJM 4580D	JRC
U 303	IC	MASTER	NJM 4580D	JRC
U 304	IC	MASTER	NJM 4580D	JRC
U 305	IC	MASTER	BA6144	ROHM
U 306	IC	MASTER	NJM 4580D	JRC
U 307	IC	MASTER	BA6144	ROHM
U 308	IC	MASTER	NJM 4580D	JRC
U 309	IC	MASTER	NJM 4580D	JRC
U 401	IC	MASTER	NJM 2043D	JRC
U 402	IC	MASTER	NJM 2043D	JRC
U 501	IC	MASTER	NJM4556D	JRC
VR 301	R/VR	MASTER	D.ROT/VR 100KX2 22.5mm P	
VR 302	SL/VR	MASTER	SLD/VR 20KAX2 45mm P	
VR 303	R/VR	MASTER	D.ROT/VR 50KBX2 (C.C) 22.5mm P	
VR 304	R/VR	MASTER	D.ROT/VR 50KBX2 (C.C) 22.5mm P	
VR 305	SL/VR	MASTER	SLD/VR 20KAX2 45mm P	
VR 306	R/VR	MASTER	D.ROT/VR 50KBX2 (C.C) 22.5mm P	
VR 307	R/VR	MASTER	D.ROT/VR 50KBX2 (C.C) 22.5mm P	
VR 308	R/VR	MASTER	D.ROT/VR 100KX2 22.5mm P	
VR 309	R/VR	MASTER	D.ROT/VR 20KBX2 22.5mm P	
VR 310	R/VR	MASTER	S.ROT/VR 50KB (C.C) 22.5mm P	
A-A		MASTER	M.WIRE UL1007 #24 220mm WHT	

SYMBOL#	PARTS NAME	PCB	DESCRIPTION	BRAND
B-B		MASTER	M.WIRE UL1007 #24 230mm BWN	
C-C		MASTER	M.WIRE UL1007 #24 240mm PPL	
D-D		MASTER	M.WIRE UL1007 #24 250mm RED	
HP-GND		MASTER	M.WIRE UL1007 #24 330mm YLW	
LED BAR		MASTER	BOSS LED-4C	
	E.CAP	MASTER	25V 470uF Add	
		MASTER	FUSE CLIP FH-1208	
		MASTER	PCB MASTER PMC-06T	
		MASTER	PMC-06T MASTER M/I	
		MASTER	PMC-06T MASTER A/I	
		MASTER	TINNER WIRE 10mm D0.6	
JP 310B		MIC LEVEL	3P WAFER/S TJC3-3A	
VR 401	R/VR	MIC LEVEL	S.ROT/VR 10KB 15mm P	
		MIC LEVEL	PMC-06T LEVEL MIC M/I	
JP 305B		MIC TONE	4P WAFER/S 2532-04	
JP 310A		MIC TONE	3P WAFER/P 120mm (P=2.5mm UL1007#24)	
R 411	RESISTOR	MIC TONE	1/16W 560 OHM	
VR 402	R/VR	MIC TONE	RK11K1120423 50KX1 L=15mm	
		MIC TONE	PMC-06T TONE MIC A/I	
		MIC TONE	PMC-06T TONE MIC M/I	
JP 302B		MONITOR	5P WAFER/P 150mm (PITCH=2.5mm)	
JP 303B		MONITOR	3P WAFER/S TJC3-3A	
JP 313A		MONITOR	5P WAFER/P 150mm (PITCH=2.0mm)	
R 511	RESISTOR	MONITOR	1/16W 56K OHM	
R 512	RESISTOR	MONITOR	1/16W 56K OHM	
SW 501	SL/SW	MONITOR	SS90040-0402-7T-NN	
VR 502	SL/VR	MONITOR	S.SLD/VR 50KB 45mm P	
		MONITOR	PMC-06T MONITOR A/I	
		MONITOR	PMC-06T MONITOR M/I	
		MONITOR	TINNER WIRE 10mm D0.6	
C 503	E.CAP	PHONES	25V 100uF	
C 506	E.CAP	PHONES	25V 100uF	
J 501	JACK	PHONES	SCJ-0645-Y-A/HP JACK	
JP 307B		PHONES	3P WAFER/S TJC3-3A	
R 503	RESISTOR	PHONES	1/16W 4.7K OHM	
R 504	RESISTOR	PHONES	1/4W 22 OHM	
R 507	RESISTOR	PHONES	1/16W 4.7K OHM	
R 508	RESISTOR	PHONES	1/4W 22 OHM	
		PHONES	PMC-06T PHONES M/I	
C 501	E.CAP	PHONES LEVEL	25V 10uF	
C 504	E.CAP	PHONES LEVEL	25V 10uF	
JP 308B		PHONES LEVEL	4P WAFER/S 2532-04	
VR 511	R/VR	PHONES LEVEL	D.ROT/VR 50KBX2 15mm P	
		PHONES LEVEL	PMC-06T PHONES LEVEL A/I	
		PHONES LEVEL	PMC-06T PHONES LEVEL M/I	
J 401	JACK		SCJ-0640-Y-2-E/DJ MIC JACK	
JP 101A			2P WAFER/P 110mm (PITCH=2.5mm.TIP5mm)	
JP 304B			2P WAFER/P 110mm (PITCH=2.5mm.TIP5mm)	
SW 101	SL/SW		BR-12B-11S/POWER SW	
	ADAPTOR		POWER ADAPTOR AC100V/60HZ JIS	
	ADAPTOR		POWER ADAPTOR AC120V/60HZ UL	
	ADAPTOR		POWER ADAPTOR AC230V/50HZ CE	
	ADAPTOR		POWER ADAPTOR AC240V/50HZ BS	
	CUSHION		CARDBORD 354X250 PMC-06T	
	CUSHION		PULP PANEL + PE DOWN PMC-06T	
	CUSHION		PULP PANEL + PE UP PMC-06T	
	PACKING CASE		MASTER CARTON 540X530X305 PMC-06T	
	PACKING CASE		PACKING CASE/528X258X142 PMC-06T	

PMC-06T

SYMBOL#	PARTS NAME	PCB	DESCRIPTION	BRAND
			ACRYLIC LENS 56X72X3	
			BACK COVER PMC-06T	
			BOTTOM COVER PMC-06T	
			CABLE TIE HW-100mm	
			CF PANEL PMC-06T	
			CHASSIS PMC-06T	
			FEET D20X10.4	
			FRONT COVER PMC-06T	
			FUSE 1A 250V (UL/CSA/JIS/CE)	
			GROUND TERMINAL T-10	
			LUG 3D	
			M.WIRE UL1007 #24 150mm BLK	
			M.WIRE UL1007 #24 150mm WHT	
			M.WIRE UL1007 #24 180mm WHT	
			M.WIRE UL1007 #24 60mm RED	
			PE BAG 600X450X0.04	
			R/KNOB D15X16 BLK/RED	
			SL/KNOB 20X10X3 BLK/WHT	
			TOP PANEL PMC-06T	