

VESTAX

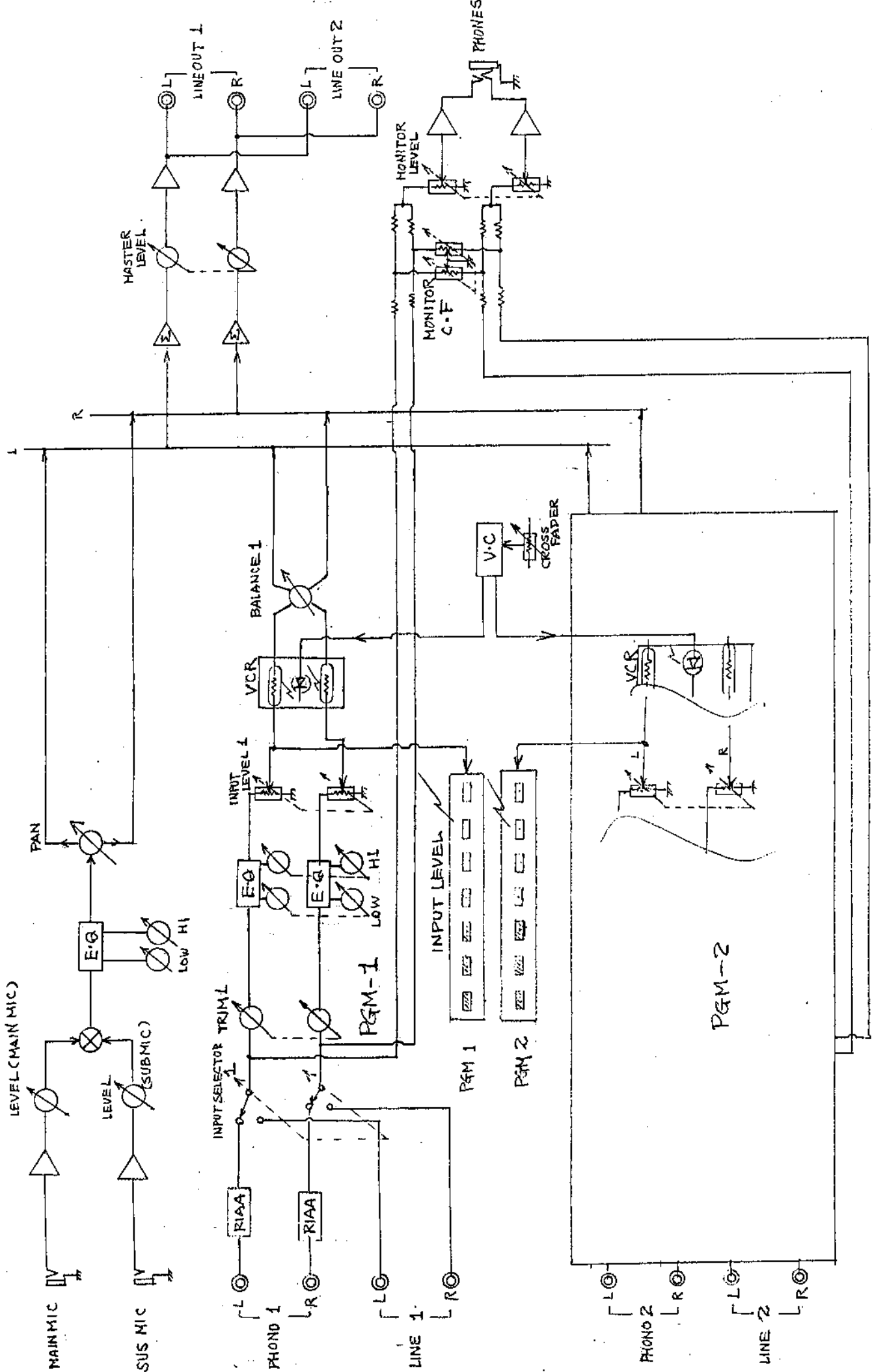
SERVICE NOTE

MODEL: PMC-05 PRO

1.SCHEMATIC DIAGRAM

2.PCB ASSEMBLY

Vestax Corporation Service Department







PMC-05PRO

SYMBOL#	PARTS NAME	PCB	DESCRIPTION	BLAND
C 30	E.CAP	IF	50V 1uF	ELNA
C 31	E.CAP	IF	50V 1uF	ELNA
R 39	RESISTOR	IF	1/4W 2.2K OHM	
R 40	RESISTOR	IF	1/4W 2.2K OHM	
R 41	RESISTOR	IF	1/4W 2.2K OHM	
R 42	RESISTOR	IF	1/4W 2.2K OHM	
S 2	SL/SW	IF	LBC23M12K TOGGLE SW (SILVER)	
VR 5	SL/VR	IF	RS45A12 50KBX2	ALPS
R 51	RESISTOR	IS	1/4W 470 OHM	
R 52	RESISTOR	IS	1/4W 470 OHM	
S 1	SL/SW	IS	LBC22BM17K TOGGLE SW/NON SHORT(BK)	
C 31	E.CAP	LED	50V 1uF	ELNA
C 32	E.CAP	LED	25V 4.7uF	ELNA
C 33	E.CAP	LED	50V 1uF	ELNA
C 34	E.CAP	LED	25V 4.7uF	ELNA
C 35	E.CAP	LED	16V 220uF	ELNA
D 31	DIODE	LED	GL107M8	SHARP
D 32	DIODE	LED	GL107M8	SHARP
IC 31	IC	LED	IR2E02	SHARP
IC 32	IC	LED	IR2E02	SHARP
L 10	JUMPER	LED	JUMPER L=10mm	
R 31	RESISTOR	LED	1/4W 10K OHM	
R 32	RESISTOR	LED	1/4W 18K OHM	
R 33	RESISTOR	LED	1/4W 33K OHM	
R 34	RESISTOR	LED	1/4W 100K OHM	
R 35	RESISTOR	LED	1/4W 10K OHM	
R 36	RESISTOR	LED	1/4W 18K OHM	
R 37	RESISTOR	LED	1/4W 33K OHM	
R 38	RESISTOR	LED	1/4W 33K OHM	
R 39	RESISTOR	LED	1/4W 18K OHM	
R 40	RESISTOR	LED	1/4W 10K OHM	
R 41	RESISTOR	LED	1/4W 18K OHM	
R 42	RESISTOR	LED	1/4W 33K OHM	
R 43	RESISTOR	LED	1/4W 100K OHM	
R 44	RESISTOR	LED	1/4W 10K OHM	
R 45	RESISTOR	LED	1/4W 22 OHM	
C 51	E.CAP	MASTER	10V 22uF	ELNA
C 52	E.CAP	MASTER	10V 22uF	ELNA
C 53	C.CAP	MASTER	22PF	
C 54	C.CAP	MASTER	22PF	
C 55	E.CAP	MASTER	10V 22uF	ELNA
C 56	E.CAP	MASTER	10V 220uF	ELNA
C 57	E.CAP	MASTER	10V 22uF	ELNA
C 58	E.CAP	MASTER	10V 22uF	ELNA
C 59	E.CAP	MASTER	10V 22uF	ELNA
C 60	C.CAP	MASTER	22PF	
C 61	C.CAP	MASTER	22PF	
C 62	E.CAP	MASTER	16V 10uF	ELNA
C 63	E.CAP	MASTER	16V 10uF	ELNA
C 64	E.CAP	MASTER	50V 1uF	ELNA
C 65	C.CAP	MASTER	100PF	
C 66	C.CAP	MASTER	100PF	
C 67	C.CAP	MASTER	0.1uF	
D 1	DIODE	MASTER	1SS133	
D 2	DIODE	MASTER	1SS133	
D 3	DIODE	MASTER	1SS133	
D 4	DIODE	MASTER	1SS133	
D 51	DIODE	MASTER	SLR342VR	ROHM
IC 51	IC	MASTER	NJM2068D	JRC

PMC-05PRO

SYMBOL#	PARTS NAME	PCB	DESCRIPTION	BLAND
IC 1	IC	MIC	NJM2068D	JRC
IC 2	IC	MIC	NJM2068D	JRC
J 1	JACK	MIC	MONO JACK HLJ0520-01-010	SEIDEN
J 2	JACK	MIC	MONO JACK HLJ0520-01-010	SEIDEN
L 10	JUMPER	MIC	JUMPER L=10mm	
Q 1	TRANSISTOR	MIC	2SC2240GR	TOSHIBA
R 1	RESISTOR	MIC	1/4W 47K OHM	
R 2	RESISTOR	MIC	1/4W 47K OHM	
R 3	RESISTOR	MIC	1/4W 3.3K OHM	
R 4	RESISTOR	MIC	1/4W 3.3K OHM	
R 5	RESISTOR	MIC	1/4W 82K OHM	
R 6	RESISTOR	MIC	1/4W 82K OHM	
R 7	RESISTOR	MIC	1/4W 2.7K OHM	
R 8	RESISTOR	MIC	1/4W 2.7K OHM	
R 9	RESISTOR	MIC	1/4W 22K OHM	
R 10	RESISTOR	MIC	1/4W 22K OHM	
R 11	RESISTOR	MIC	1/4W 39K OHM	
R 12	RESISTOR	MIC	1/4W 120K OHM	
R 13	RESISTOR	MIC	1/4W 180K OHM	
R 14	RESISTOR	MIC	1/4W 6.8K OHM	
R 15	RESISTOR	MIC	1/4W 10K OHM	
R 16	RESISTOR	MIC	1/4W 1.2K OHM	
R 17	RESISTOR	MIC	1/4W 1.5K OHM	
R 18	RESISTOR	MIC	1/4W 6.8K OHM	
R 20	RESISTOR	MIC	1/4W 2.2K OHM	
R 21	RESISTOR	MIC	1/4W 2.2K OHM	
R 24	RESISTOR	MIC	1/4W 22K OHM	
VR 1	R/VR	MIC	RK16311 20KB	ALPS
VR 2	R/VR	MIC	RK16311 20KB	ALPS
VR 3	R/VR	MIC	RK16311 20KB	ALPS
VR 4	R/VR	MIC	RK16311 20KB	ALPS
VR 5	R/VR	MIC	RK16311 10B C.C	ALPS
C 81	E.CAP	MONITOR	50V 1uF	ELNA
C 82	E.CAP	MONITOR	50V 1uF	ELNA
C 83	E.CAP	MONITOR	10V 22uF	ELNA
C 84	E.CAP	MONITOR	10V 22uF	ELNA
C 85	C.CAP	MONITOR	22PF	
C 86	C.CAP	MONITOR	22PF	
C 87	E.CAP	MONITOR	10V 220uF	ELNA
C 88	E.CAP	MONITOR	10V 220uF	ELNA
C 89	E.CAP	MONITOR	16V 220uF	ELNA
IC 81	IC	MONITOR	NJM4556D	JRC
J 81	JACK	MONITOR	STEREO JACK HLJ0520-01-010	SEIDEN
L 10	JUMPER	MONITOR	JUMPER L=10mm	
R 81	RESISTOR	MONITOR	1/4W 15K OHM	
R 82	RESISTOR	MONITOR	1/4W 15K OHM	
R 83	RESISTOR	MONITOR	1/4W 15K OHM	
R 84	RESISTOR	MONITOR	1/4W 15K OHM	
R 85	RESISTOR	MONITOR	1/4W 56K OHM	
R 86	RESISTOR	MONITOR	1/4W 56K OHM	
R 87	RESISTOR	MONITOR	1/4W 56K OHM	
R 88	RESISTOR	MONITOR	1/4W 56K OHM	
R 89	RESISTOR	MONITOR	1/4W 47K OHM	
R 90	RESISTOR	MONITOR	1/4W 47K OHM	
R 91	RESISTOR	MONITOR	1/4W 47K OHM	
R 92	RESISTOR	MONITOR	1/4W 47K OHM	
R 93	RESISTOR	MONITOR	1/4W 1K OHM	
R 94	RESISTOR	MONITOR	1/4W 1K OHM	
R 95	RESISTOR	MONITOR	1/4W 120K OHM	

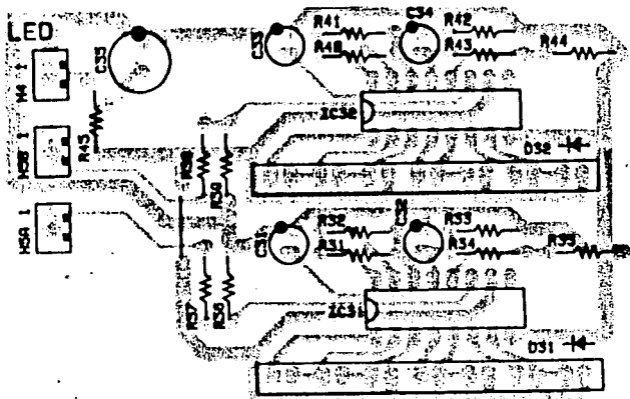
SYMBOL#	PARTS NAME	PCB	DESCRIPTION	BLAND
R 96	RESISTOR	MONITOR	1/4W 120K OHM	
R 97	RESISTOR	MONITOR	1/4W 47 OHM	
R 98	RESISTOR	MONITOR	1/4W 47 OHM	
R 99	RESISTOR	MONITOR	1/4W 22K OHM	
R 100	RESISTOR	MONITOR	1/4W 22K OHM	
VR 81	SL/VR	MONITOR	RS20112A 50KBX2	ALPS
VR 82	SL/VR	MONITOR	RS20112A 20KAX2	ALPS
C 1	E.CAP	PGM	16V 10uF	ELNA
C 2	E.CAP	PGM	16V 10uF	ELNA
C 3	C.CAP	PGM	22PF	
C 4	C.CAP	PGM	22PF	
C 5	E.CAP	PGM	10V 33uF	ELNA
C 6	E.CAP	PGM	10V 33uF	ELNA
C 7	MYLAR	PGM	0.002uF	ELNA
C 8	MYLAR	PGM	0.002uF	ELNA
C 9	MYLAR	PGM	0.0068uF	ELNA
C 10	MYLAR	PGM	0.0068uF	ELNA
C 11	E.CAP	PGM	16V 10uF	ELNA
C 12	E.CAP	PGM	10V 220uF	ELNA
C 13	E.CAP	PGM	16V 10uF	ELNA
C 14	E.CAP	PGM	50V 1uF	ELNA
C 15	E.CAP	PGM	50V 1uF	ELNA
C 16	E.CAP	PGM	10V 22uF	ELNA
C 17	E.CAP	PGM	10V 22uF	ELNA
C 18	C.CAP	PGM	100PF	
C 19	C.CAP	PGM	100PF	
C 20	MYLAR	PGM	0.033uF	ELNA
C 21	E.CAP	PGM	50V 2.2uF	ELNA
C 22	MYLAR	PGM	0.033uF	ELNA
C 23	E.CAP	PGM	50V 2.2uF	ELNA
C 24	MYLAR	PGM	0.012uF	ELNA
C 25	MYLAR	PGM	0.012uF	ELNA
C 26	C.CAP	PGM	100PF	
C 27	C.CAP	PGM	100PF	
C 28	E.CAP	PGM	10V 22uF	ELNA
C 29	E.CAP	PGM	10V 22uF	ELNA
C 32	E.CAP	PGM	10V 22uF	ELNA
C 33	E.CAP	PGM	10V 22uF	ELNA
C 34	E.CAP	PGM	50V 1uF	ELNA
C 35	E.CAP	PGM	16V 220uF	ELNA
C 36	C.CAP	PGM	0.001uF	
C 37	C.CAP	PGM	22PF	
C 38	C.CAP	PGM	22PF	
C 39	E.CAP	PGM	50V 1uF	ELNA
C 40	E.CAP	PGM	50V 1uF	ELNA
CD 1	PHOTO-COUPLEF	PGM	P873-13	
IC 1	IC	PGM	NJM2068D	JRC
IC 2	IC	PGM	NJM2068D	JRC
IC 3	IC	PGM	NJM2068D	JRC
IC 4	IC	PGM	NJM2068D	JRC
J 1	JACK	PGM	4RCA JACK T5857AAAG	EMUDEN
L 10	JUMPER	PGM	JUMPER L=10mm	
Q 1	TRANSISTOR	PGM	2SC2240GR	TOSHIBA
Q 2	TRANSISTOR	PGM	2SC2240GR	TOSHIBA
R 1	RESISTOR	PGM	1/4W 56K OHM	
R 2	RESISTOR	PGM	1/4W 56K OHM	
R 3	RESISTOR	PGM	1/4W 1K OHM	
R 4	RESISTOR	PGM	1/4W 1K OHM	
R 5	RESISTOR	PGM	1/4W 220K OHM	

PMC-05PRO

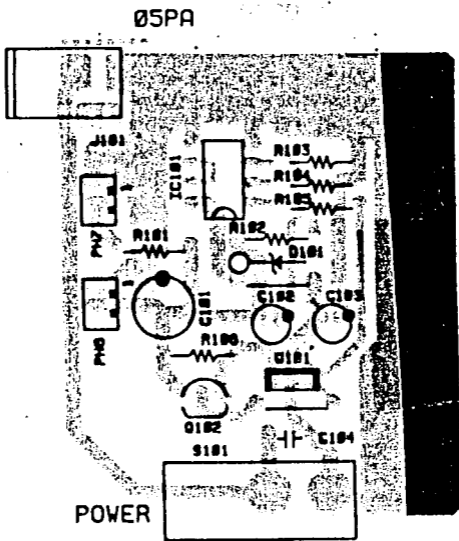
SYMBOL#	PARTS NAME	PCB	DESCRIPTION	BLAND
R 104	RESISTOR	POWER	1/4W 10K OHM	
R 105	RESISTOR	POWER	1/4W 330 OHM	
R 106	RESISTOR	POWER	1/4W 1 OHM	
S 101	P/SW	POWER	SDDL (POWER SW)	ALPS
R 32	RESISTOR			
R 33	RESISTOR	PGM	1/4W 10K OHM	
R 34	RESISTOR	PGM	1/4W 1.2K OHM	
R 35	RESISTOR	PGM	1/4W 1.2K OHM	
R 36	RESISTOR	PGM	1/4W 1.2K OHM	
R 37	RESISTOR	PGM	1/4W 6.8K OHM	
R 38	RESISTOR	PGM	1/4W 6.8K OHM	
R 43	RESISTOR	PGM	1/4W 100K OHM	
R 44	RESISTOR	PGM	1/4W 100K OHM	
R 45	RESISTOR	PGM	1/4W 47K OHM	
R 46	RESISTOR	PGM	1/4W 47K OHM	
R 47	RESISTOR	PGM	1/4W 1.2K OHM	
R 53	RESISTOR	PGM	1/4W 10 OHM	
R 54	RESISTOR	PGM	1/4W 47K OHM	
R 55	RESISTOR	PGM	1/4W 47K OHM	
VR 1	R/VR	PGM	RK16312A 10KAX2	ALPS
VR 2	R/VR	PGM	RK16312A 20KBX2	ALPS
VR 3	R/VR	PGM	RK16312A 20KBX2	ALPS
VR 4	R/VR	PGM	RK16312A 5KBX2 C.C	ALPS
VR 6	SEMI-FIXED VR	PGM	RV6 FMNK 5KB	
C 101	E.CAP	POWER	16V 330uF	ELNA
C 102	E.CAP	POWER	10V 33uF	ELNA
C 103	E.CAP	POWER	25V 4.7uF	ELNA
C 104	C.CAP	POWER	0.001uF	
D 101	Z.DIODE	POWER	RD8.2EB2	NEC
IC 101	IC	POWER	NJM4558D	JRC
J 101	JACK	POWER	DC-JACK HEC0470-01-630	SEIDEN
L 10	JUMPER	POWER	JUMPER L=10mm	
Q 101	TRANSISTOR	POWER	2SC3419	TOSHIBA
Q 102	TRANSISTOR	POWER	2SC1267	TOSHIBA
R 101	RESISTOR	POWER	1/4W 1 OHM	
R 102	RESISTOR	POWER	1/4W 10K OHM	
R 103	RESISTOR	POWER	1/4W 5.1 OHM	



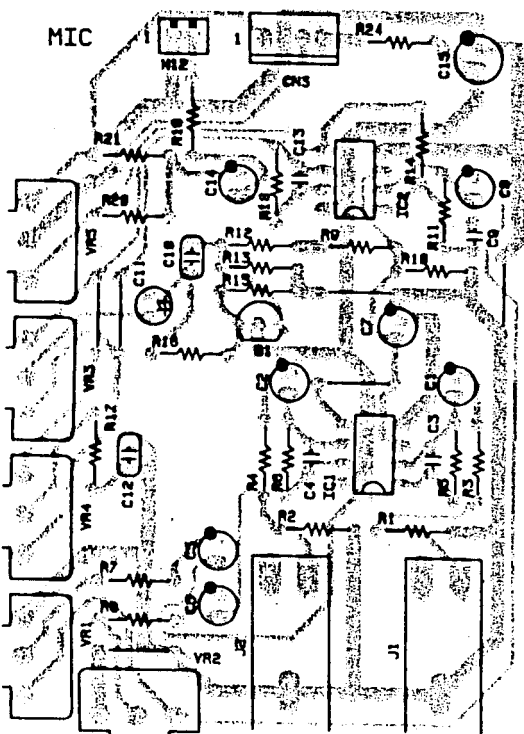
# PMC-05PRO LED PCB



# PMC-05PRO POWER PCB

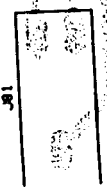
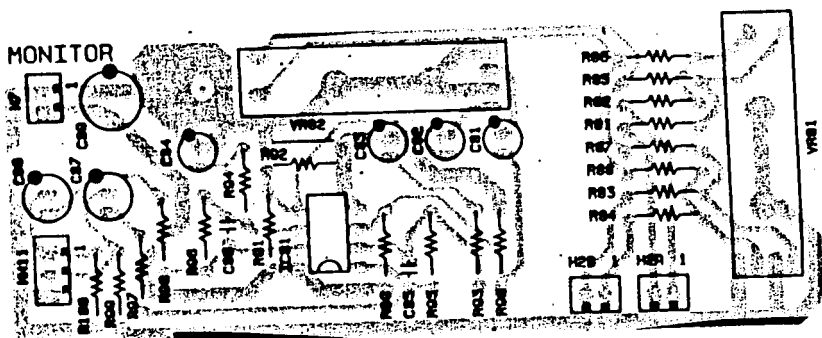


# PMC-05PROMIC PCB



⊗

# PMC-05PRO MONITOR PCB



⊗

