

VESTAX

SERVICE NOTE

MODEL : TUB - 1

1. SPECIFICATIONS P. 2 - P. 4
2. CIRCUIT DIAGRAM P. 5
3. COMPONENTS LIST P. 6

Vestax Corporation Service Department

(2008-07-26)

VESTAX CORP. TOKYO
info@vestax.com
VESTAX SERVICE EUROPE
RHEINSTR. 213
53332 BORNHEIM/GERMANY
Tel. +49 2222 952372
Fax +49 2222 952374
tech@vestax.com

TUB-1 Owners Manual

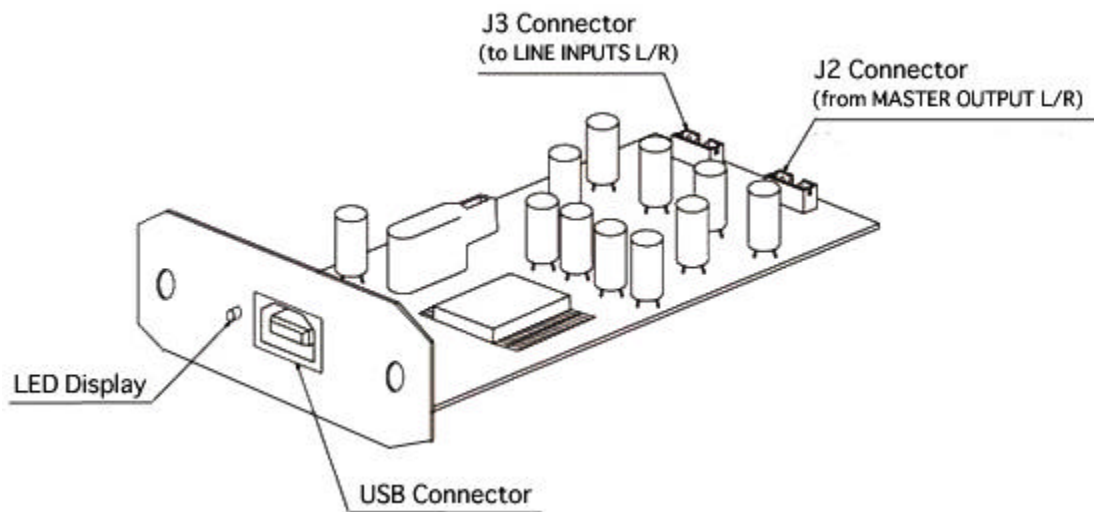
Adaptable Models (2007 March (now available) :

- PMC-08Pro (Please contact our technical support team for detailed information)
- PMC-280

? This product uses the OS standard driver to operate and enables sound input/output via USB connection. (Please be aware that certain computers do not enable operation with TUB-1)

[TUB-1 USB expansion board]

Two 3pin audio input/output connectors (J2,J3) are located on the circuitry board of TUB-1 as in the image below. From looking from a device connected to TUB-1, J2 is for analog audio input and J3 is for audio analog output. A USB terminal and red LED (2mm diameter) is set on the front panel.



[Main specifications]

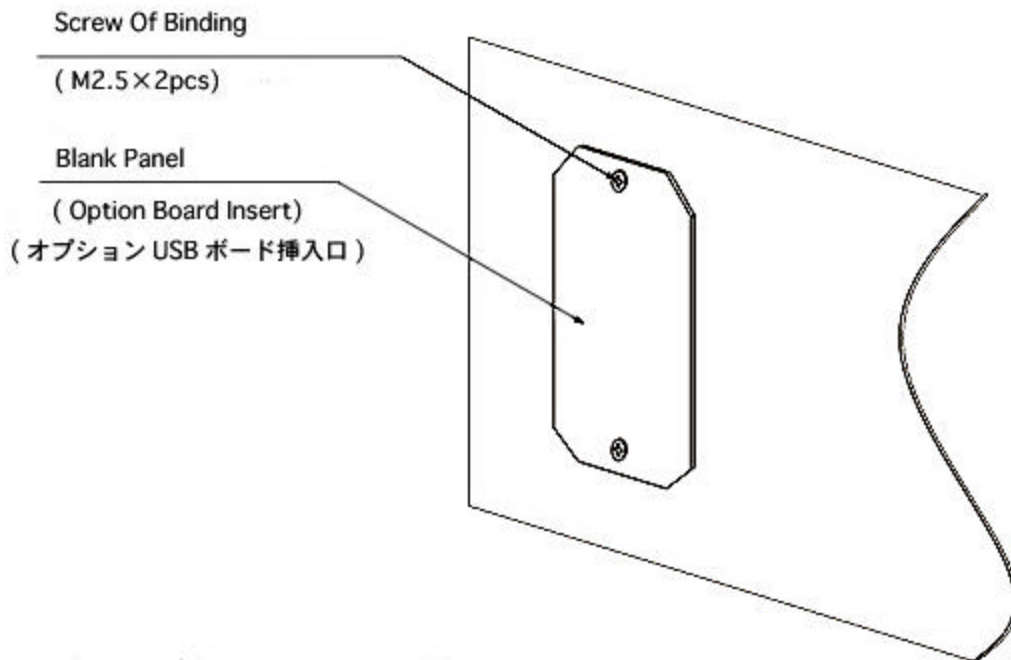
USB version: USB 2 / (Drive Power Supply = +5V DC)

Analog Audio Outputs (J3): -10dBV (0.3V) / impedance = 100ohm

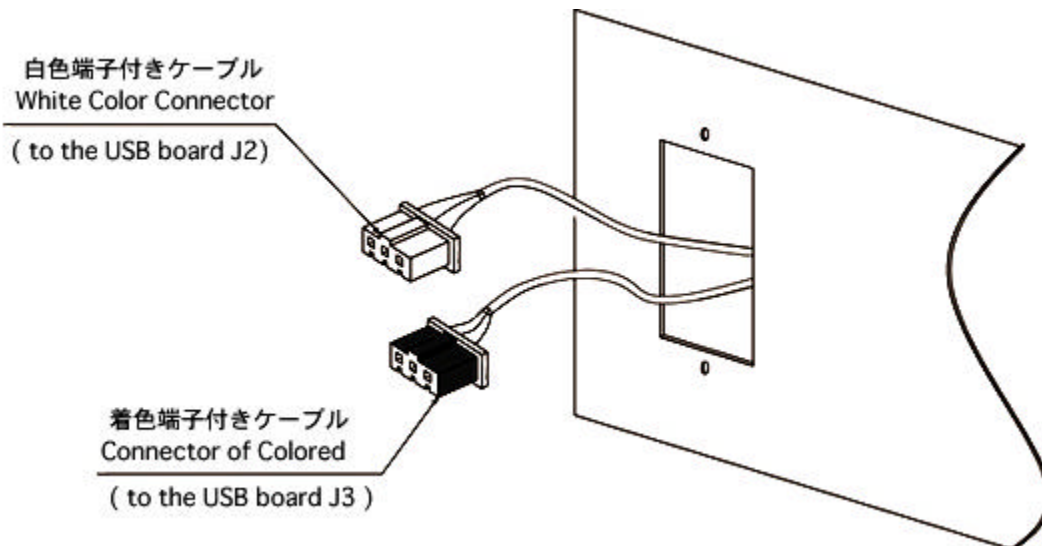
Analog Audio Inputs (J2): -10dBV (0.3V) / impedance = 47kohm

[How to attach]

1. Unscrew the 2 screws (M2.5) on the octagon blank panel. Please make sure to use a screw driver that matches the screw head.
- ? Turn the power OFF on the device before attaching TUB-1.



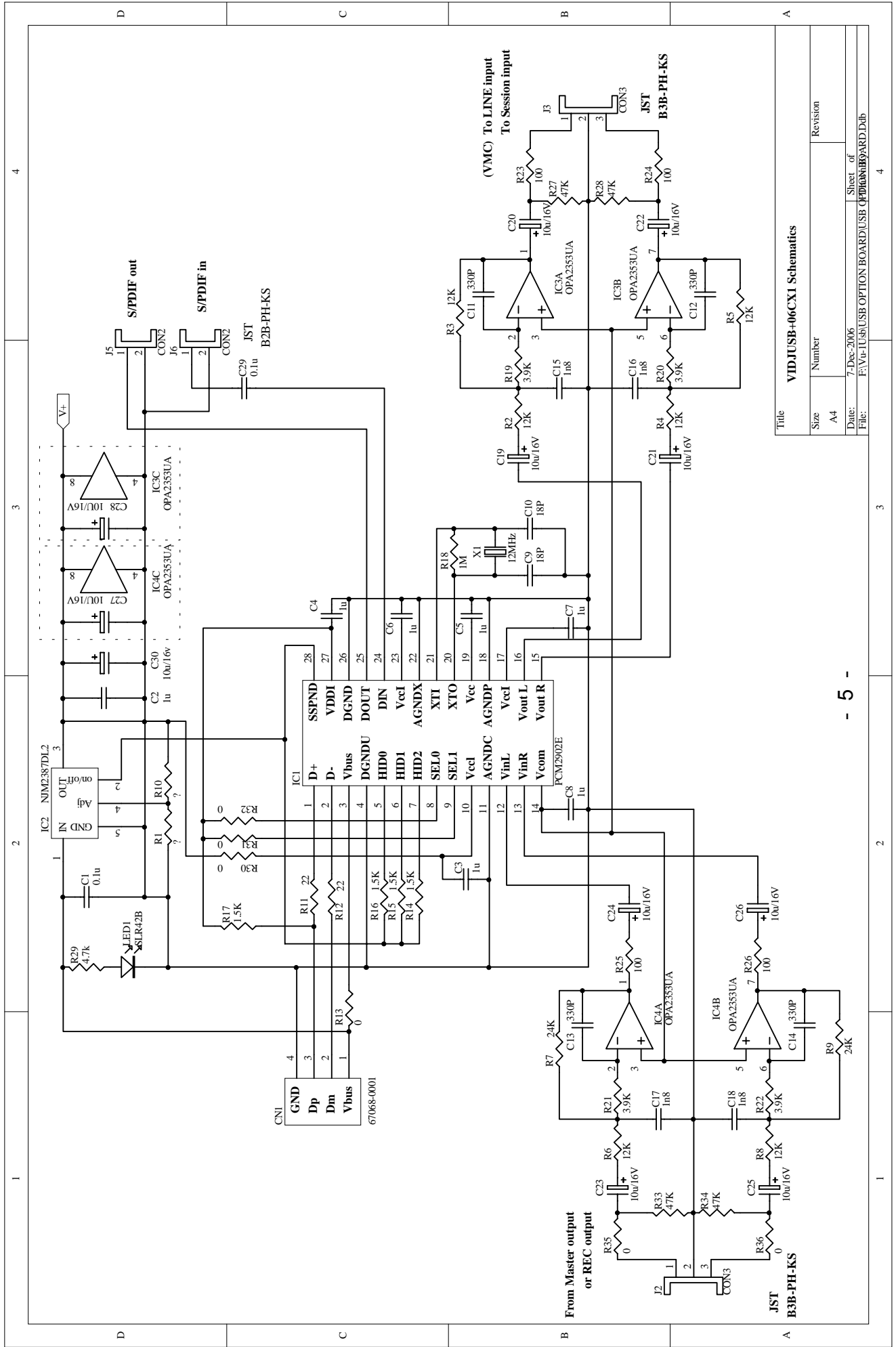
2. Two cables with 3pin connectors will be found in the device. Connect the white connector to J2; connect the colored connector to J3. Each connector has a guide to connect the cables in the correct direction.



3. If the expansion slot is vertical, insert TUB-1 with the LED pointing upward and screw it to the device with the 2 screws. If the expansion slot is horizontal, insert TUB-1 with the LED pointing to the left.
4. Connect an audio application software installed computer to TUB-1 via USB to check operation. Make sure the red LED of TUB-1 lights up.
5. Activate the audio application software, send/receive audio signals and check the operation between the device TUB-1 is attached.

[TUB-1 Precautions]

The TUB-1 USB board is a very delicate electrical device. A High precision IC chip (LSI) is loaded in the circuitry, DO NOT bend it or add external power. Avoid liquids and static electricity for it will cause damage to the electronic parts.



Title: VIDUSB-06CX1 Schematics

Size	Number	Revision
A4		
Date:	7-Dec-2006	
File:	F:\VU-USB\USB OPTION BOARD\USB_OPTION_BOARD.Ddb	

SPARE PART LIST**MODEL: VIDJUSB+06CSX1****DESCRIPTION: VIOLET VU-1 USB BOARD BLK**

<u>Description</u>	<u>Location</u>	<u>Part Number</u>	<u>QTY</u>
PCB ASSY USB VIDJUSB+06CSX1		PCB-USBX1+G	1
CC 10V 1UF +80/-20% 0603 332181050R1	C2,C3,C4,C5,C6, C7,C8	150C-105Z+P-AC	7
CC 50V 0.1uF 10% 0603/1608 1x2	C1,C29	150F-104K+P-AC	2
CC 50V 1800P 5% 0603 0.8X1.6	C15,C16,C17, C18	150F-182J+P-AC	4
CC 50V 330P 10% 0603/1608 1X2	C11,C12,C13, C14	150F-331K+P-AC	4
CE 16V 10U 20% RLT 5X11 ELNA	C19,C20,C21, C22,C23,C24, C25,C26,C27, C28,C30	157D-106M+K-IUE	11
CTC 0/60 18pF 5% 0603 0.8X1.6	C10,C9	15CH-180J+P-AC	2
PCB USB VIDJUSB+06CSX1		1725-894A+0000	1
2P ST. WAFER P=2.0 COULOMB	J5,J6	2102-020S+003	2
3P ST.WAFER P=2.0 COULOMB	J2,J3	2102-030S+003	2
JACK USB 4P 90DEG	CN1	2113-3212+0	1
CRYSTAL 12MHZ	X1	2300-1240+0	1
IC REGULATOR NJM2387DL3 SMD	IC2	3132-5101+0	1
IC DUAL OP AMP OPA2353UA SO-8	IC3,IC4	3132-5111+0	2
IC USB CODEC PCM2902E SSOP-28	IC1	3132-5121+0	1
LED CY 2X4.5XL0.5 RED	LED1	3700-3618+R	1
RMG 1/16W 0R 5% 0603 HK RESISTOR/SAMSUNG	R13,R30,R31,R32, R35,R36	4723-000J+P-R	6
RMG 1/16W 100R 5% 0603 HK RESISTOR /SAMSUNG	R23,R24,R25,R26	4723-101J+P-R	4
RMG 1/16W 1M 5% 0603/1608	R18	4723-105J+P	1
RMG 1/16W 12K 5% 0603 HK RESISTOR/SAMSUNG	R2,R3,R4,R5,R6, R8	4723-123J+P-R	6
RMG 1/16W 1.5K 5% 0603 HK RESISTOR/SAMSUNG	R14,R15,R16,R17	4723-152J+P-R	4
RMG 1/16W 22R 5% 0603 HK RESISTOR/SAMSUNG	R11,R12	4723-220J+P-R	2
RMG 1/16W 24K 5% 0603/1608	R7,R9	4723-243J+P	2
RMG 1/16W 3.9K 5% 0603 HK RESISTOR/SAMSUNG	R19,R20,R21,R22	4723-392J+P-R	4
RMG 1/16W 4.7K 5% 0603 HK RESISTOR/SAMSUNG	R29	4723-472J+P-R	1
RMG 1/16W 47K 5% 0603 HK RESISTOR/SAMSUNG	R27,R28,R33,R34	4723-473J+P-R	4
PACKING MATERIALS			
CARTON BOX 435X370X248 K=A A VIDJUSB+06CS01		1438-0301+0-2	0,01
CARTON SHEET 547X407X3 B-B		1450-9490+0	0,03
GIFT BOX CF-PCV SPARE PA RT		1480-2200+0	1
BUBBLE BAG ANTISTATIC 280X180(OPEN)X5		1497-7842+0	1
LABEL BLANK 30x7mm		3000-3498+0	1
LABEL-WHITE BOX A VIDLUSB+06CSX1	GIFT BOX	3001-1802+0	2
LABEL-CARTON 70X40X0.5 A VIDJUSB+06CSX1	CARTON BOX	3001-1808+1	0,02
LABEL-BARCODE GIFT BOX 40X20X1 A VIDJUSB	GIFT BOX	3001-1810+0	1
CASING MATERIALS			
PANEL-USB 54X19X1 SECC BLK VIDJUSB+06CS01		1406-3301+0	1
SCREW M2.6X4 M/C CSH BK	PANEL	2901-2604+3001	2
SCREW BH M3X 5 MM BZ CRO SS	PCB	2904-3005+3000	2
BRACKET-FIX 13X10X9 SECC NATURE VIDJUSB		4135-7101+1	2