

R	RESISTORS
1	1500 Ω
2	250 Ω
3	22.2 Ω
4	4.44 Ω
5	1.311 Ω
6	400,000 Ω
7	2 MEG
8	7.5 MEG
9	1156 Ω
10	110,000 Ω
11	90,000 Ω
12	3000 Ω
13	10,000 Ω
14	100 Ω
15	50,000 Ω approx
16	200 Ω POT
17	5000 Ω
18	1000 Ω
19	8000 Ω
20	8000 Ω
21	1670 Ω
22	14 Ω
23	250,000 Ω
24	450 Ω
25	1600 Ω
26	110 Ω
27	100,000 Ω POT
28	5000 Ω
29	13,500 Ω
30	139,000 Ω
C	CONDENSERS
1	.05 μF
2	.01 μF
N	NEON
M	METER 0.9mA 911Ω
B	BATTERIES
1	1.5 VOLT
2	15 VOLTS

PATON ELEC. PTY. LTD.. SYDNEY

V.C.T. MK. 2.

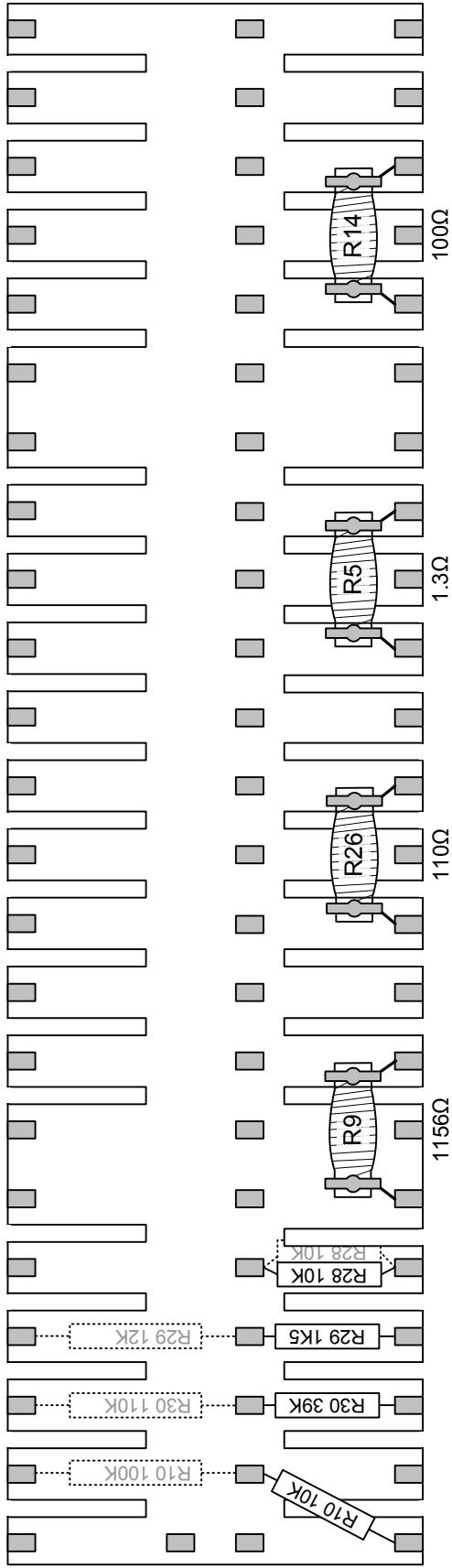
CIRCUIT

DRAWN

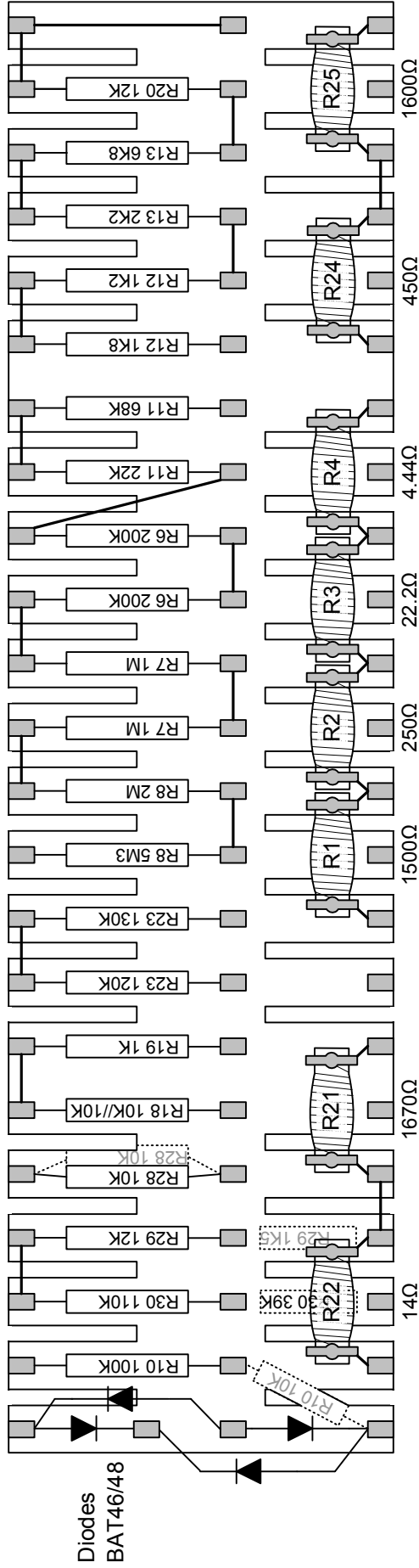
PASSED

Date	18/2/48
Traced	
Checked	

2265.



Upside



Lower side

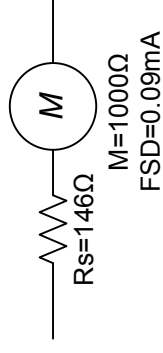
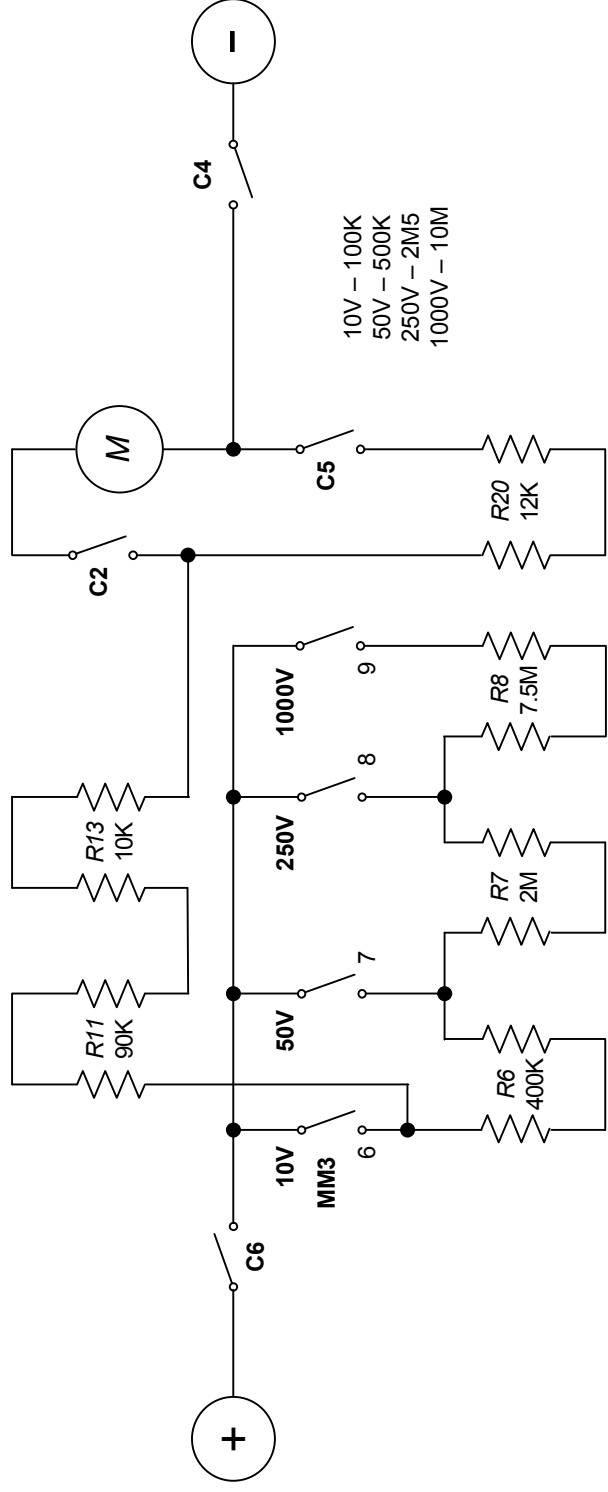
Table of Resistor Values – Values in brackets () are original circuit values changed for improved accuracy.

R1 1500	R7 2M - 1M+1M	R13 (10K) - 6K8+2K2	R19 1K	R25 1670
R2 250	R8 7M5 - 2M+5.3M	R14 100	R20 (8K) -12K	R26 110
R3 22.2	R9 1156	R15 50K approx	R21 1670	R27 100K pot
R4 4.4	R10 110K - 100K+10K	R16 100K	R22 14	R28 5K - 10K//10K
R5 1311	R11 90K - 68K+22K	R17 200 pot	R23 250K	R29 13K5 - 12K+1K5
R6 400K - 200K+200K	R12 3K - 1.2K+1.8K	R18 5K -10K//10K	R24 450	R30 149K - 110K+39K

PATON V.C.T. MK2

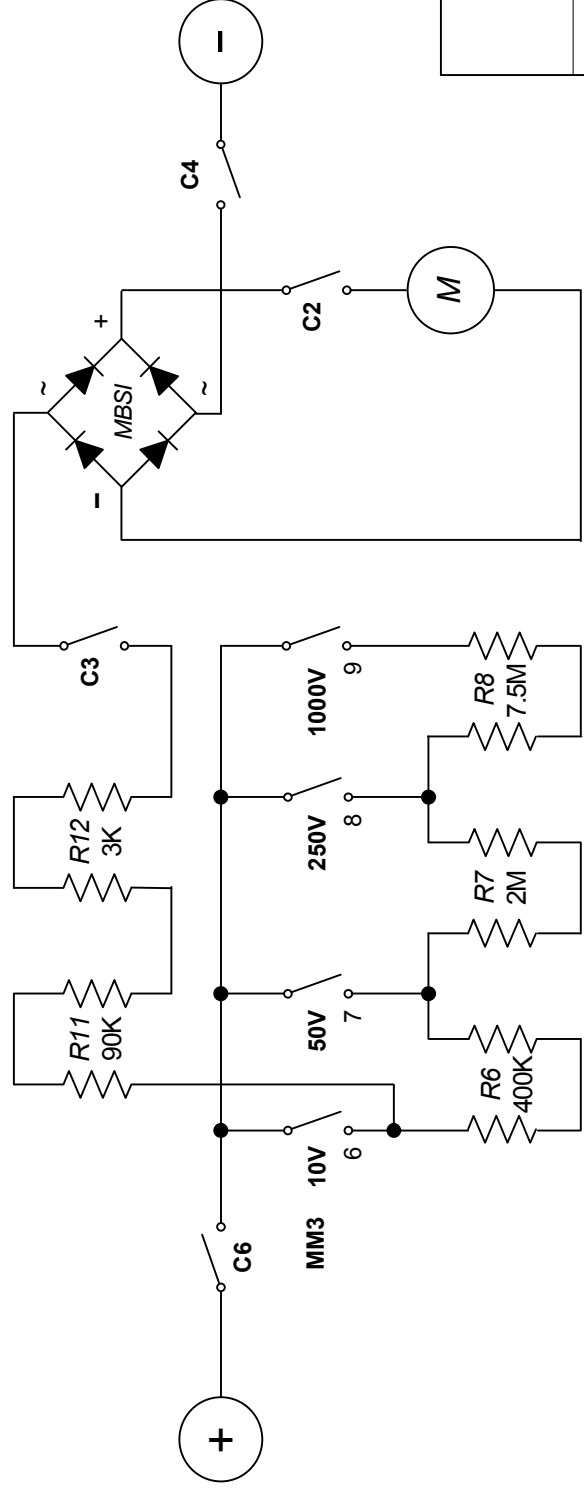
Serial No 541

RESISTOR BOARD LAYOUT



DC Voltage Measurement

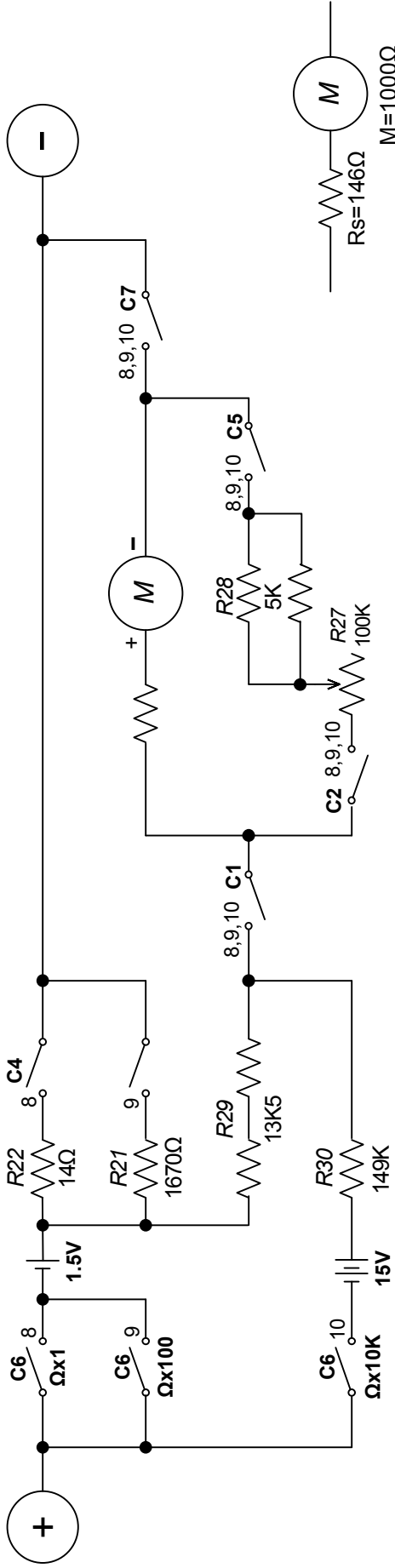
Meter Circuit



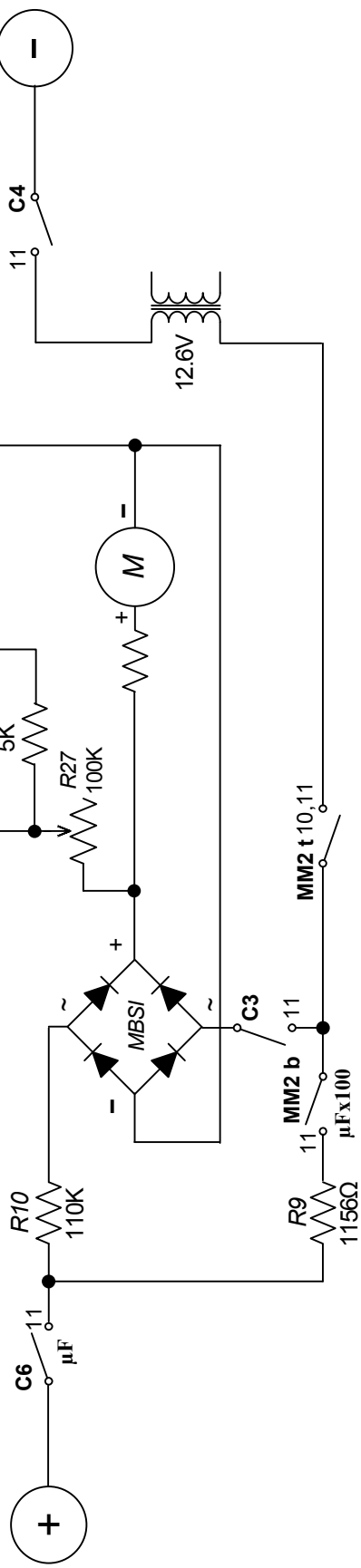
AC Voltage Measurement

PATON V.C.T. MK2
Serial No 541

CIRCUIT SECTIONS
Voltage Measurement

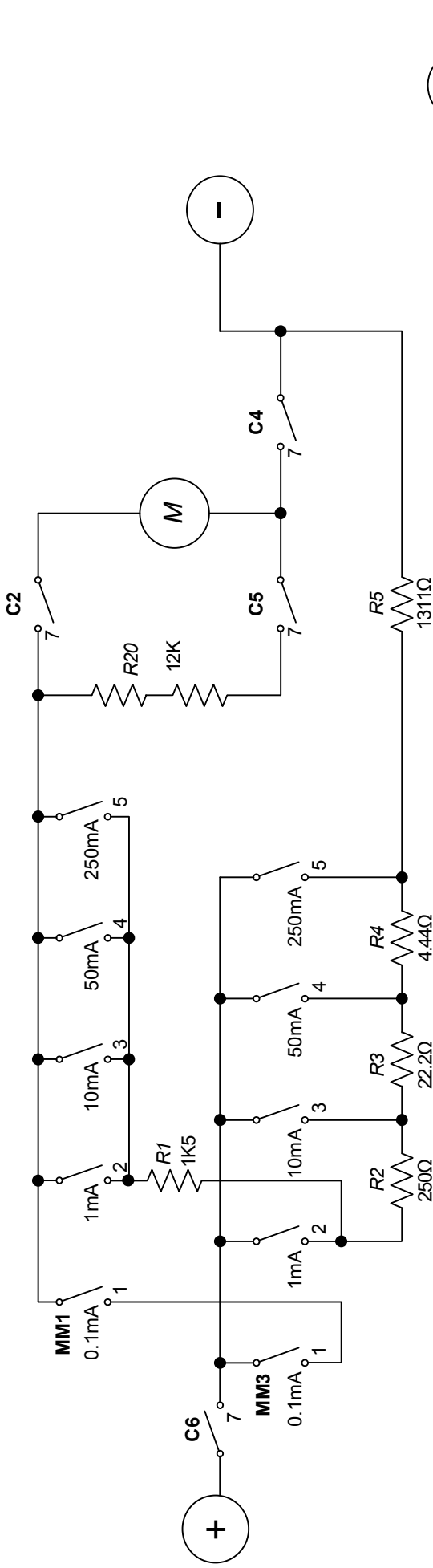


Resistance Measurement

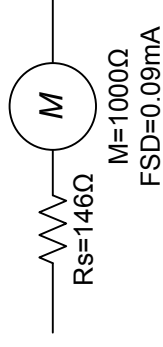


PATON V.C.T. MK2
Serial No 541

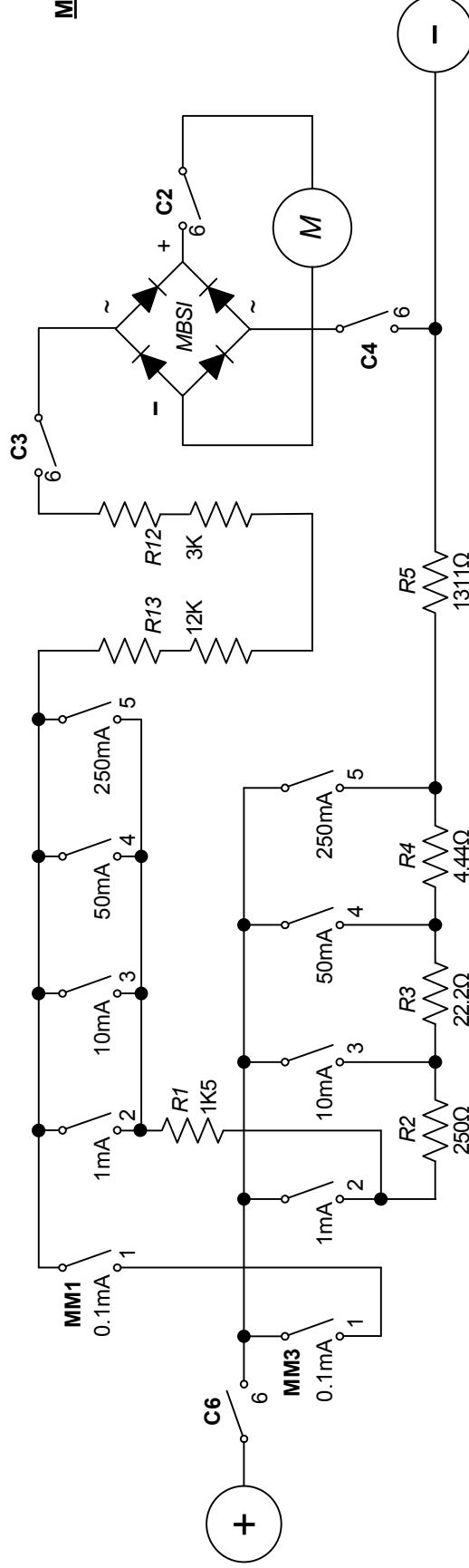
CIRCUIT SECTIONS
Resistance and Capacitance



Current Measurement - DC



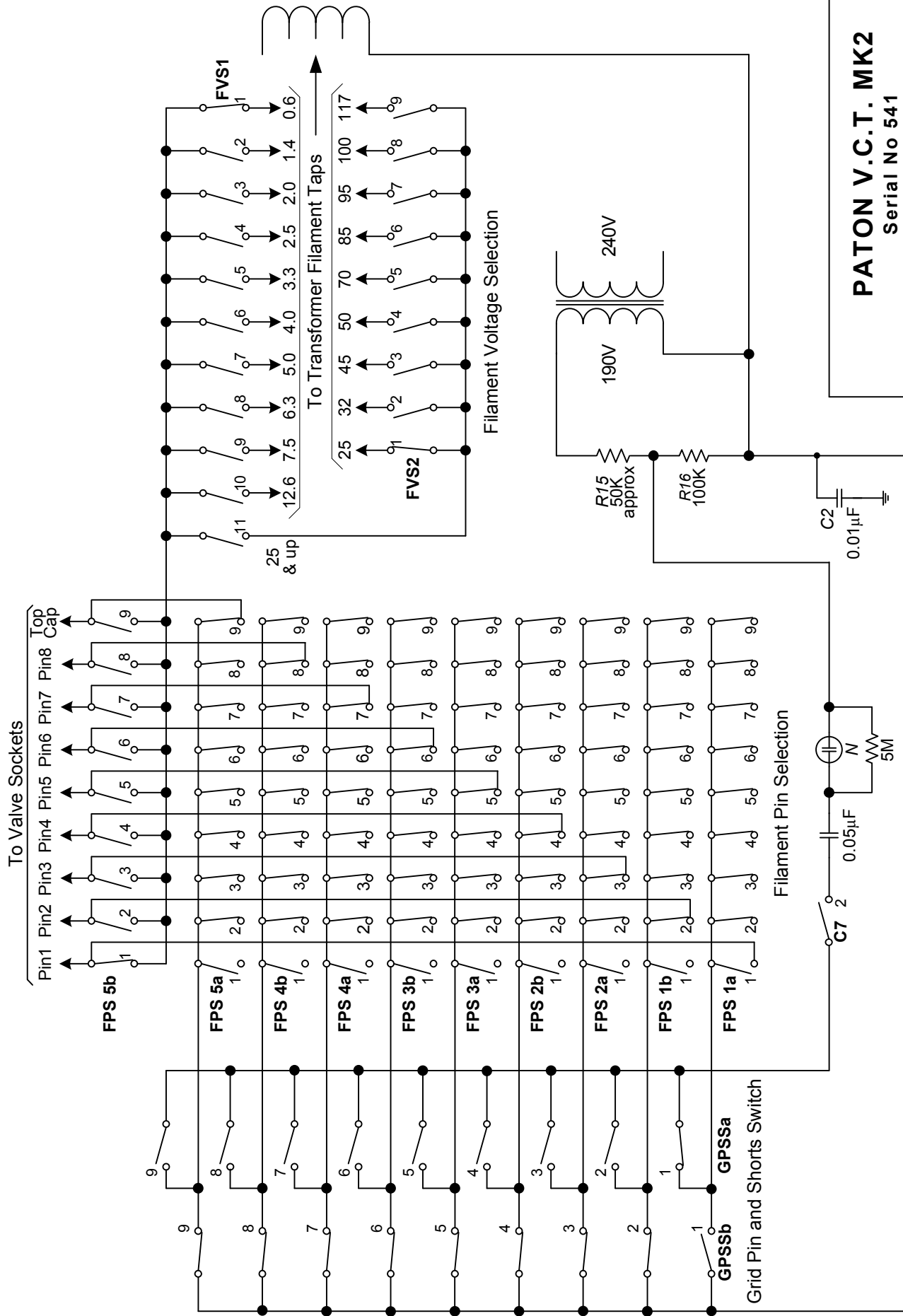
Meter Circuit



Current Measurement - AC

PATON V.C.T. MK2
Serial No 541

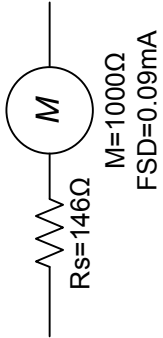
CIRCUIT SECTIONS
Current Measurement



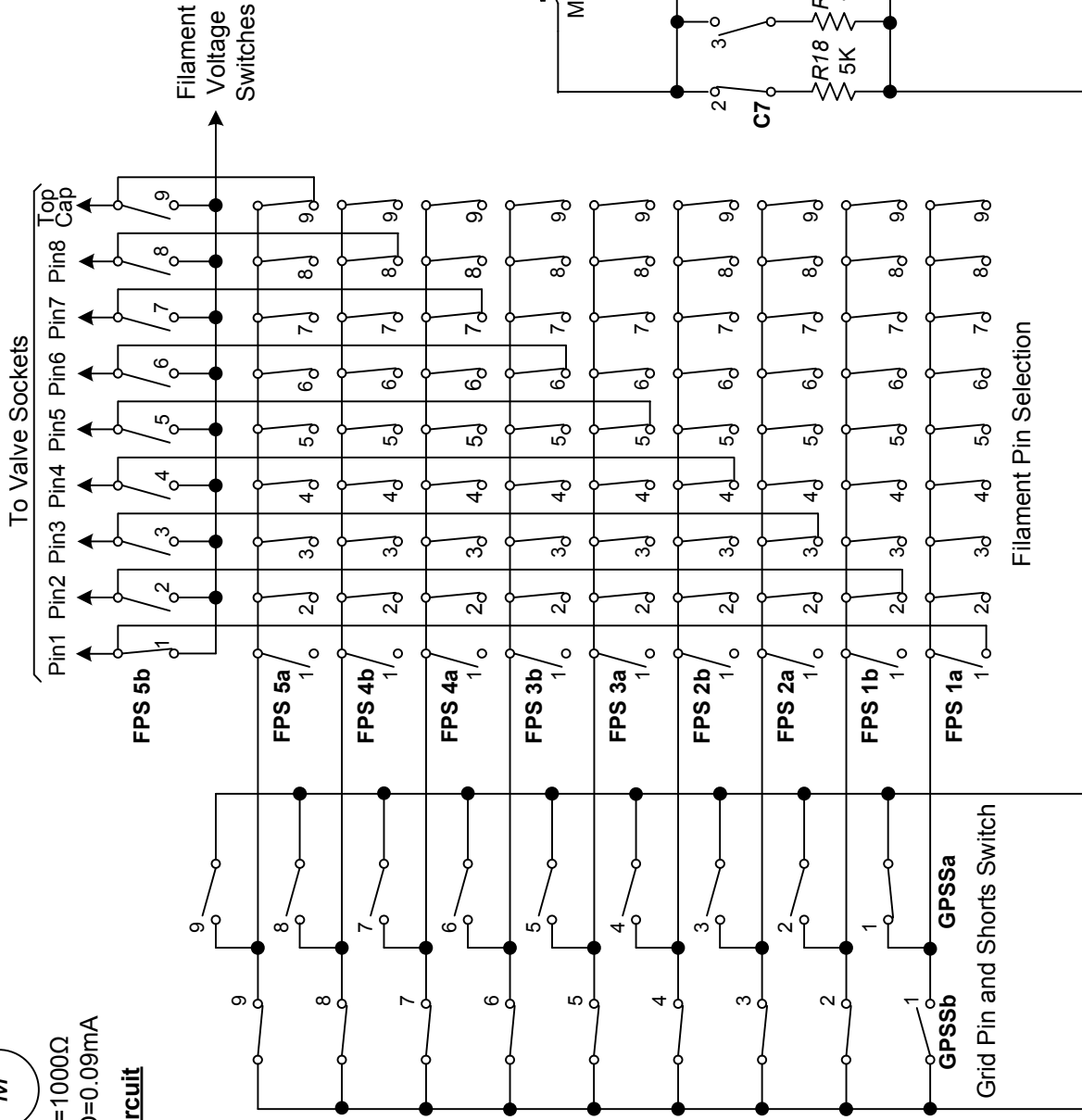
PATON V.C.T. MK2
Serial No 541

CIRCUIT SECTIONS
Filament Voltage Selection and Shorts
Test

Filament Voltage Selection and Shorts Test



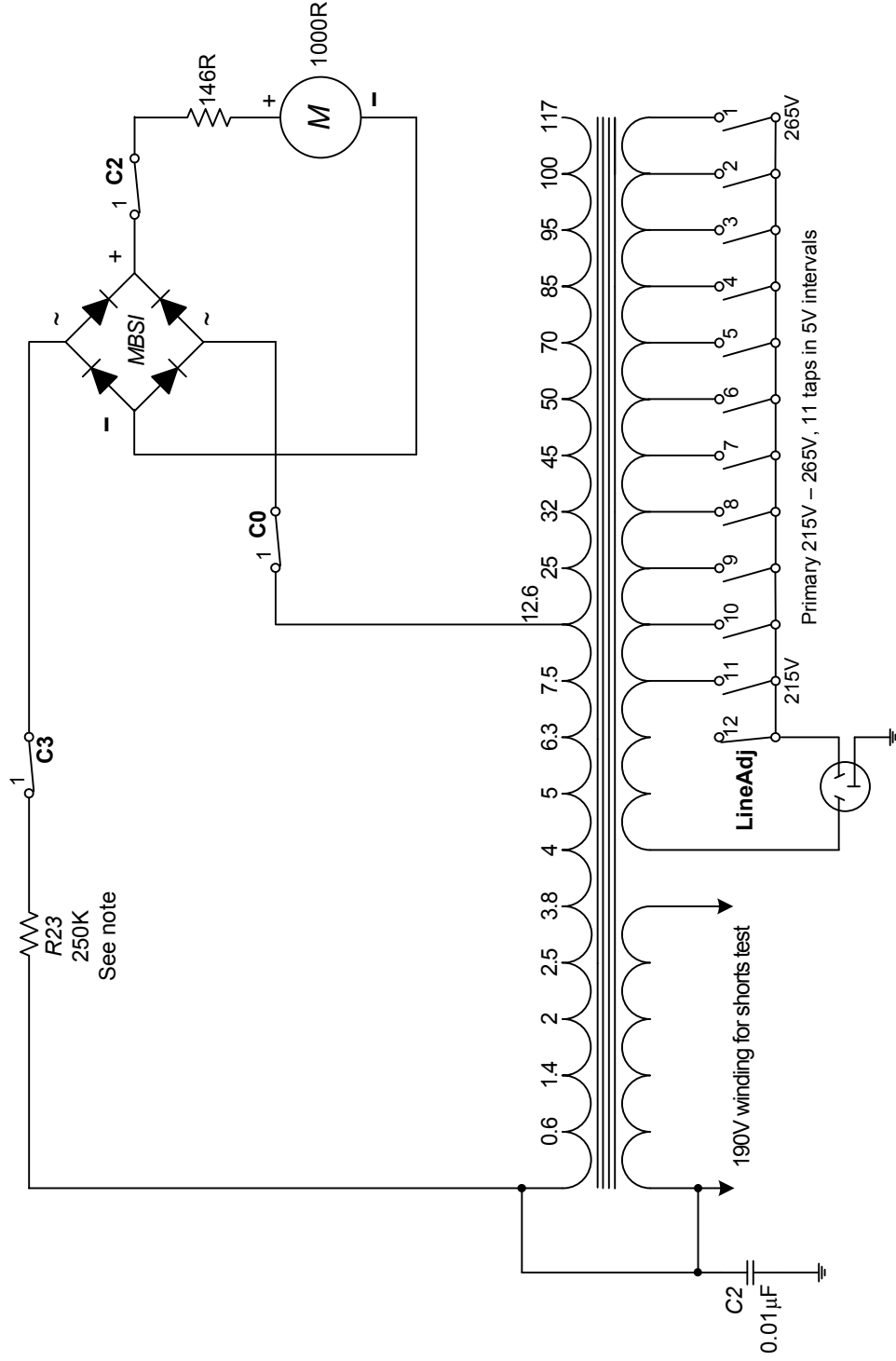
Meter Circuit



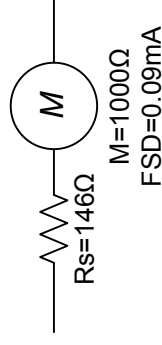
PATON V.C.T. MK2
Serial No 541

CIRCUIT SECTIONS
Valve Emissions Test

Valve Emissions Test



AC Line Adjustment



Meter Circuit

Note:-

R23--250K changed to 230K
(130K+100K) to obtain 12.6 volts
at Line Adj mark (50%FSD)

PATON V.C.T. MK2
Serial No 541

CIRCUIT SECTIONS
AC Line Adjustment