

## CASSETTE TAPE RECORDER

### SPECIFICATIONS

#### ELECTRICAL CHARACTERISTICS

POWER SUPPLY.....DC:6V (UM-3×4)  
 AC:120V, 60Hz (A)  
 AC:210V/230V 50/60Hz (W)  
 (Using AC adapter)

CURRENT CONSUMPTION...135mA

RECORDING SYSTEM.....AC bias  
 (with LEVELMATIC)

ERASING SYSTEM.....DC erase

FREQUENCY RANGE.....100~8,000Hz

AUDIO OUTPUT .....300mW

INPUT IMPEDANCE

MIC JACK .....10K ohm

OUTPUT IMPEDANCE

OUTPUT JACK.....8ohm

MECHANICAL CHARACTERISTICS

TAPE SPEED.....1 $\frac{7}{8}$ ips (4.75cm/s)

TAPE .....Compact cassette

#### COMPONENTS USED

IC .....1  
 FA-6004T

TRANSISTORS .....6  
 2SC458×3, 2SD170  
 2SB482, 2SD77

DIODES .....3  
 1N34A, 1S2076×2

THERMISTOR .....1  
 D-1E

LOUDSPEAKER .....1 $\frac{5}{8}$ " PM.

MICROPHONE

BUILT-IN MICROPHONE...Magnetic type

EXTERNAL MICROPHONE...Dynamic type  
 (with remote control switch)

MISCELLANEOUS

TRACK SYSTEM.....Monaural dual track

DIMENSIONS .....5 $\frac{1}{2}$ "(H)×3 $\frac{3}{8}$ "(W)× $\frac{1}{4}$ "(D)  
 (14×9×3.5cm)

WEIGHT .....1 lbs. 5 oz. (600g)

### ACCESSORIES

Dynamic microphone .....1  
 (with remote control switch)

Compact cassette .....1

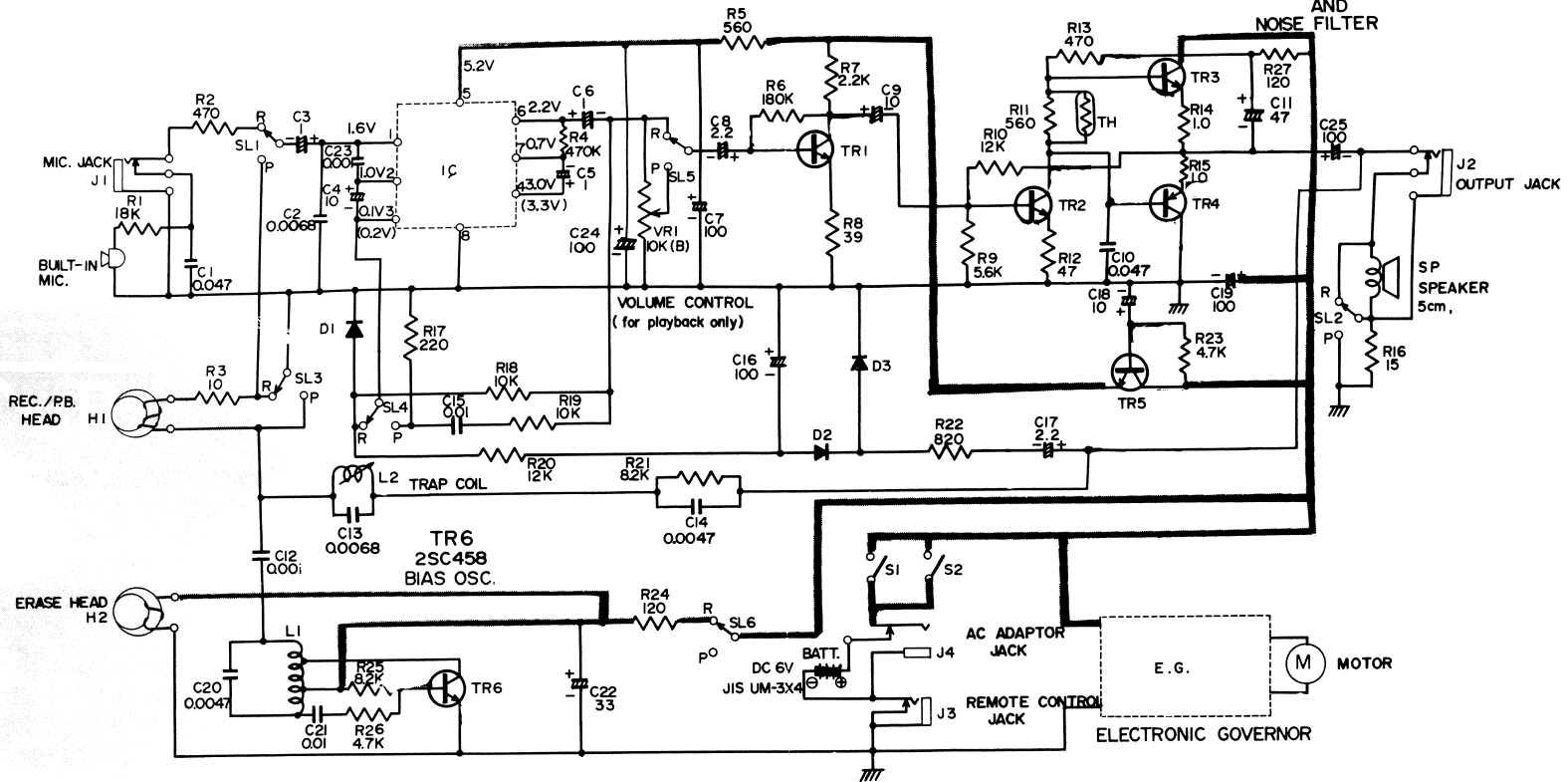
Extension cord .....1

Earphone .....1

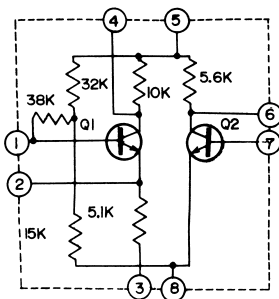
Leather Case .....1

AC adaptor .....1

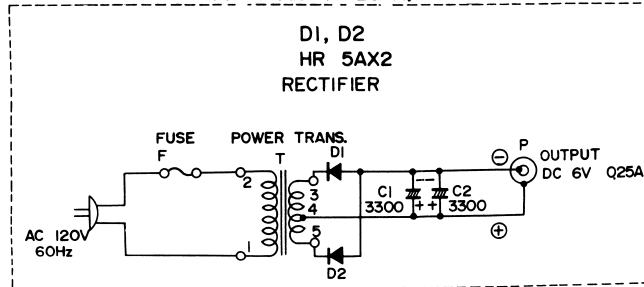
IC	DI	TR1	D2, D3	TR2	TH	TR5	TR3, TR4
FA-6004T	IN34A	2SC458	IS2076 X 2	2SC458	D-IE	2SD77	2SD170, 2SB482
PRE AMP.	LEVELMATIC	AF AMP.	LEVELMATIC	AF AMP. (driver)	TEMP. COMP.	VOLTAGE STABILIZER	POWER AMP.



IC FA-6004T INTERNAL CIRCUIT

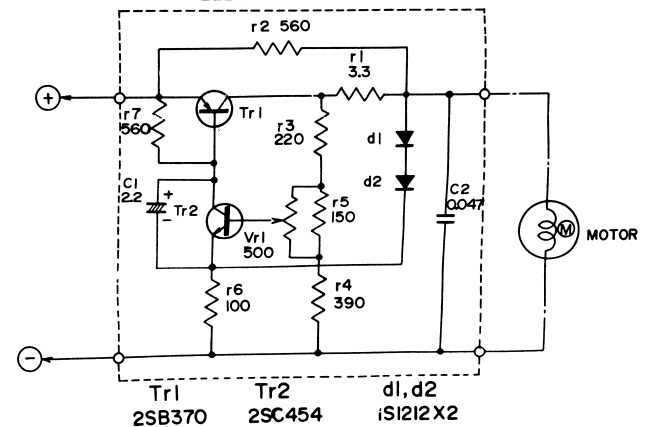


AC ADAPTOR model A-20(A)



NOTE 1. VOLTAGE MEASURED WITH VOLTMETER AT 6V DC BASE ⊖ SIDE POWER SUPPLY. VOLUME CONTROL AT MINIMUM AND NO SIGNAL, WITH PLAYBACK CONDITION, SHOWN IN ( ) ARE RECORDING CONDITION.  
 2. ALL RESISTANCE VALUES IN OHMS · K=1000  
 3. ALL CAPACITANCE VALUES IN μF EXCEPT "P" NOTED.  
 P = μμF = PF

CIRCUIT DIAGRAM OF ELECTRONIC GOVERNOR



# HITACHI TRQ-20(A) (W)

