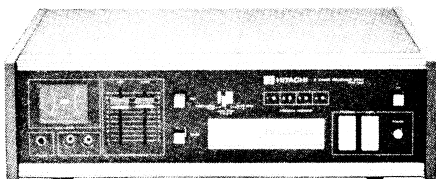


H22



8 TRACK RECORDER DECK

MODEL TRQ-134D

SERVICE MANUAL

SPECIFICATIONS

IC

- IC1 FA-6013D.....Pre Amp.
- IC2 FA-6013D.....AF Amp.
- IC3 FA-6013D.....Pre Amp.
- IC4 FA-6013D.....AF Amp.

TRANSISTORS

- TR1 2SC1213.....Bias osc.
- TR2 2SC1213.....Bias osc.

DIODES

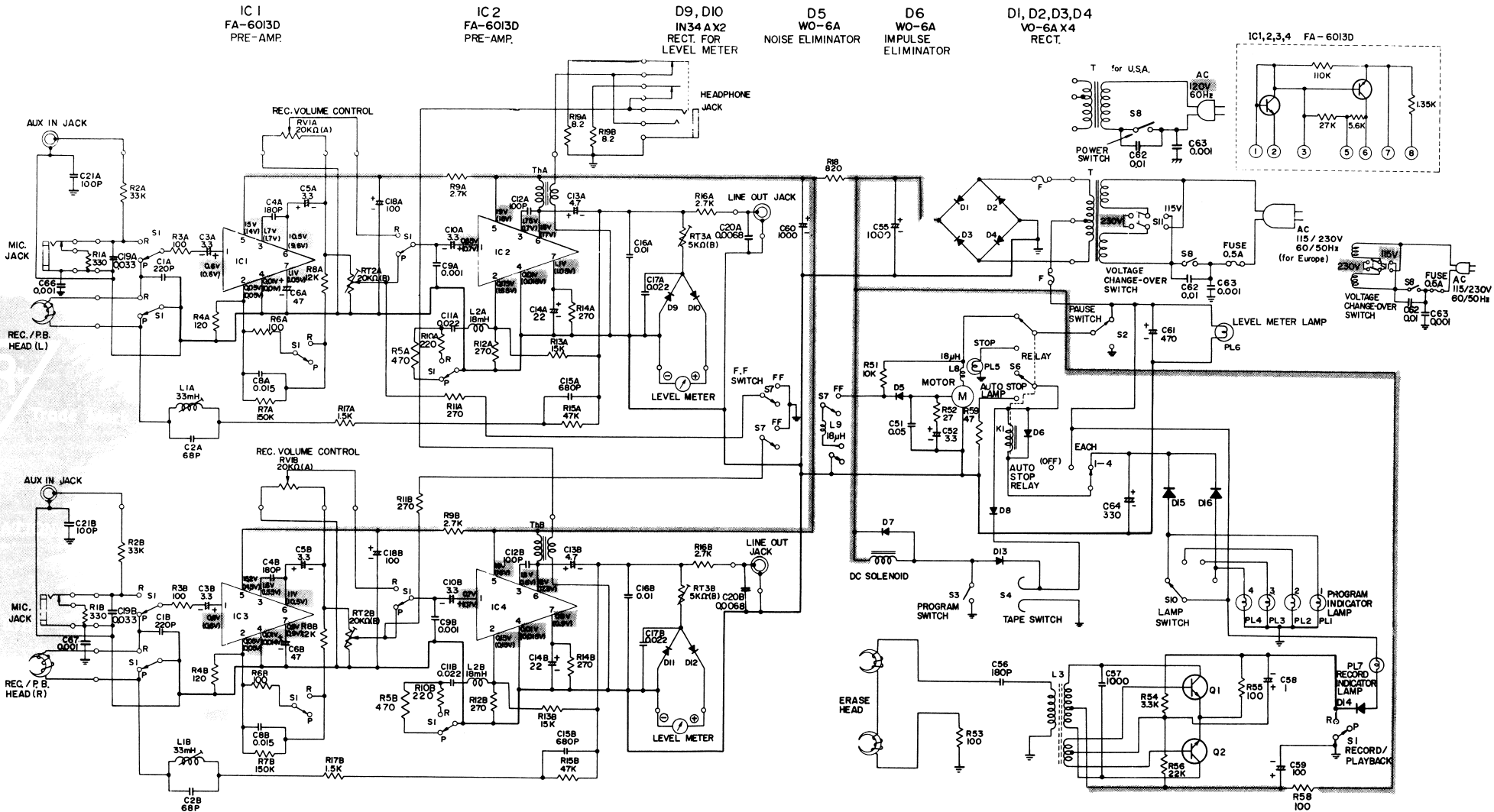
- D1 VO-6A }.....Rectifier
- D2 VO-6A }
- D3 VO-6A }
- D4 VO-6A }
- D5 WO-6ANois Eliminator
- D6 WO-6AImpulse Eliminator
- D7 WO-6AImpulse Eliminator
- D8 WO-6ASwitching
- D 9 1N34A }.....Rectifier (for Level meter)
- D10 1N34A }
- D11 1N34A }.....Rectifier (for Level meter)
- D12 1N34A }

- D13 VO-6A }.....Switching
- D14 WO-6A }
- D15 WO-6A }
- D16 WO-6A }

- TAPE SPEED.....3 $\frac{3}{4}$ ips (9.5cm/s)
- CARTRIDGE.....8 track stereo
- TRACK SYSTEM.....8 track 2channel 4program
- PROGRAM.....Automatic and Manual push button
- RECORDING SYSTEM.....AC bias
- ERASING SYSTEM.....AC erase
- FREQUENCY RANGE.....50~10,000Hz
- OUTPUT VOLTAGE.....750mV
- OUTPUT IMPEDANCE.....5 K ohm or less
- POWER SUPPLY.....120V, 60Hz (for USA)
115V/230V 50/60Hz (for Europe)
- POWER CONSUMPTION.....25W (Max. 60W)
- DIMENSIONS4 $\frac{3}{8}$ " (H)×15 $\frac{3}{4}$ " (W)×11" (D)
(11×40×28cm)
- WEIGHT.....12 lbs. 2 oz. (5.5kg)

ACCESSORIES

- Patch cord (5740543) 2
- Head cleaning stick (7716481) 1



IC 1
FA-6013D
PRE-AMP.

IC 2
FA-6013D
PRE-AMP.

D9, D10
IN34A X2
RECT. FOR
LEVEL METER

D5
WO-6A
NOISE ELIMINATOR

D6
WO-6A
IMPULSE
ELIMINATOR

D1, D2, D3, D4
VO-6A X4
RECT.

IC1, 2, 3, 4
FA-6013D

IC 3
FA-6013D
PRE-AMP.

IC 4
FA-6013D
PRE-AMP.

D11, D12
IN34A X2
REC. FOR
LEVEL METER

D7
WO-6A
IMPULSE
ELIMINATOR

D13
VO-6A
SWITCHING

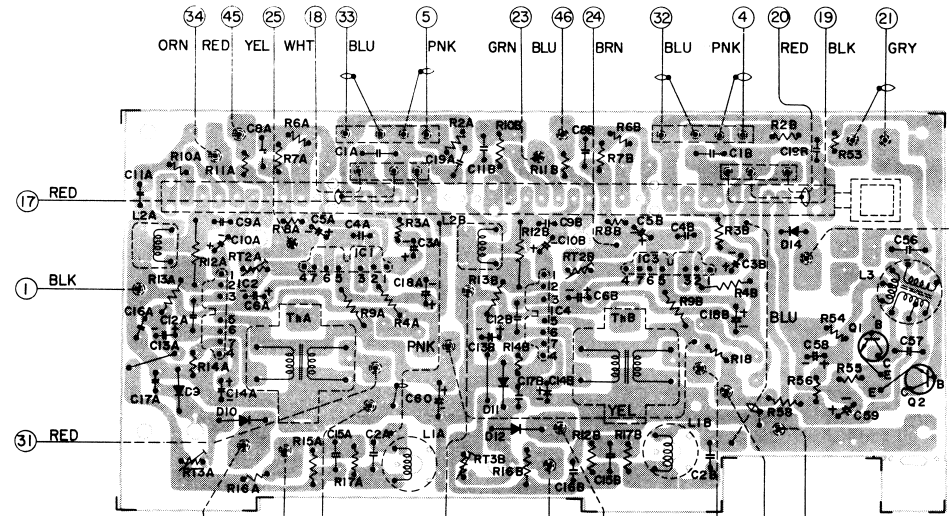
D8
WO-6A
SWITCHING

Q1, Q2
2SC1213X2
BIAS OSC.

D15, D16
WO-6A X2
SWITCHING

D14
WO-6A
SWITCHING

- NOTE
- VOLTAGE MEASURED WITH VOLTMETER AT 120V AC, ⊖ SIDE EARTH
 - VOLUME CONTROL AT MINIMUM AND NO SIGNAL.
 - ALL RESISTANCE VALUES IN OHMS. K=1000
 - ALL CAPACITANCE VALUES IN MICROFARAD EXCEPT "P" NOTED. P=μμF=PF
 - ⊕: CHASSIS EARTH.



IC2

1 0.85V (0.7V)	5 1.8V (1.6V)
2 0.76V (0.6V)	6 1.8V (1.6V)
3 1.38V (1.2V)	7 1.1V (1.05V)
4 1.01V (0.95V)	

IC1

1 0.8V (0.6V)	5 1.8V (1.6V)
2 0.85V (0.6V)	6 1.8V (1.6V)
3 1.7V (1.5V)	7 1.1V (1.05V)
4 1.01V (0.95V)	

IC4

1 0.7V (0.7V)	5 1.8V (1.6V)
2 0.85V (0.6V)	6 1.8V (1.6V)
3 1.4V (1.2V)	7 1.1V (1.05V)
4 1.01V (0.95V)	

IC3

1 1.1V (0.6V)	5 1.8V (1.6V)
2 0.85V (0.6V)	6 1.8V (1.6V)
3 1.4V (1.2V)	7 1.1V (1.05V)
4 1.01V (0.95V)	

