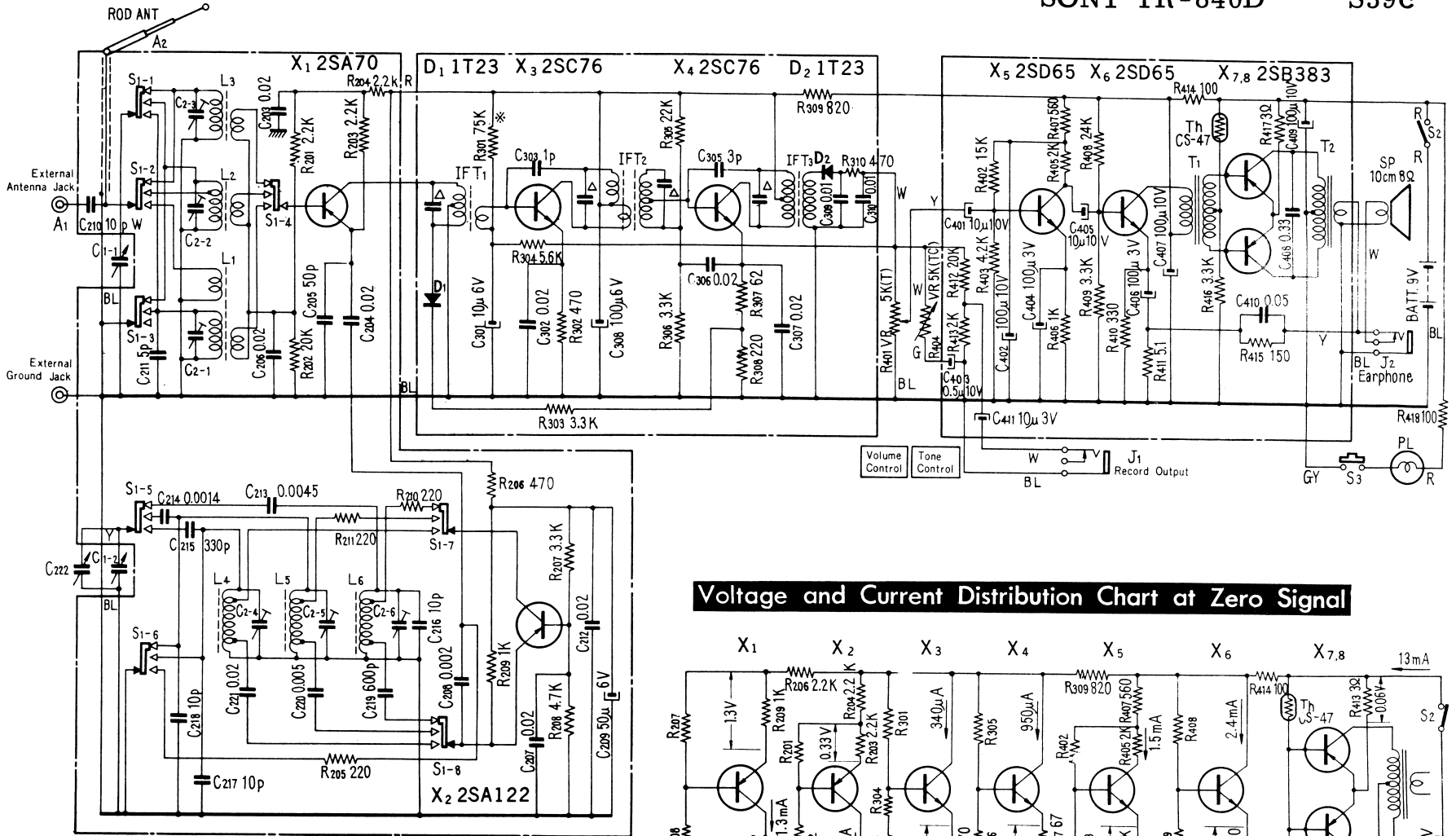


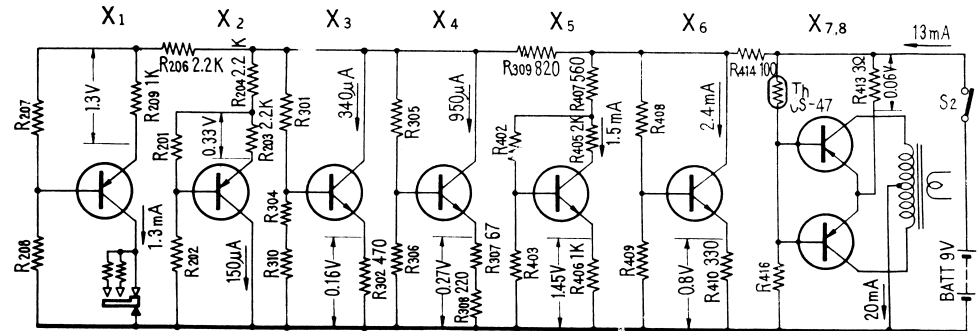
Schematic Diagram

SONY TR-840D

S39c



Voltage and Current Distribution Chart at Zero Signal



- * To be adjusted
- Δ Built in IF Transformer
- S1-1-8 ... Band Setting Switch
- S2 Power Switch
- S3 Dial Lamp Switch

