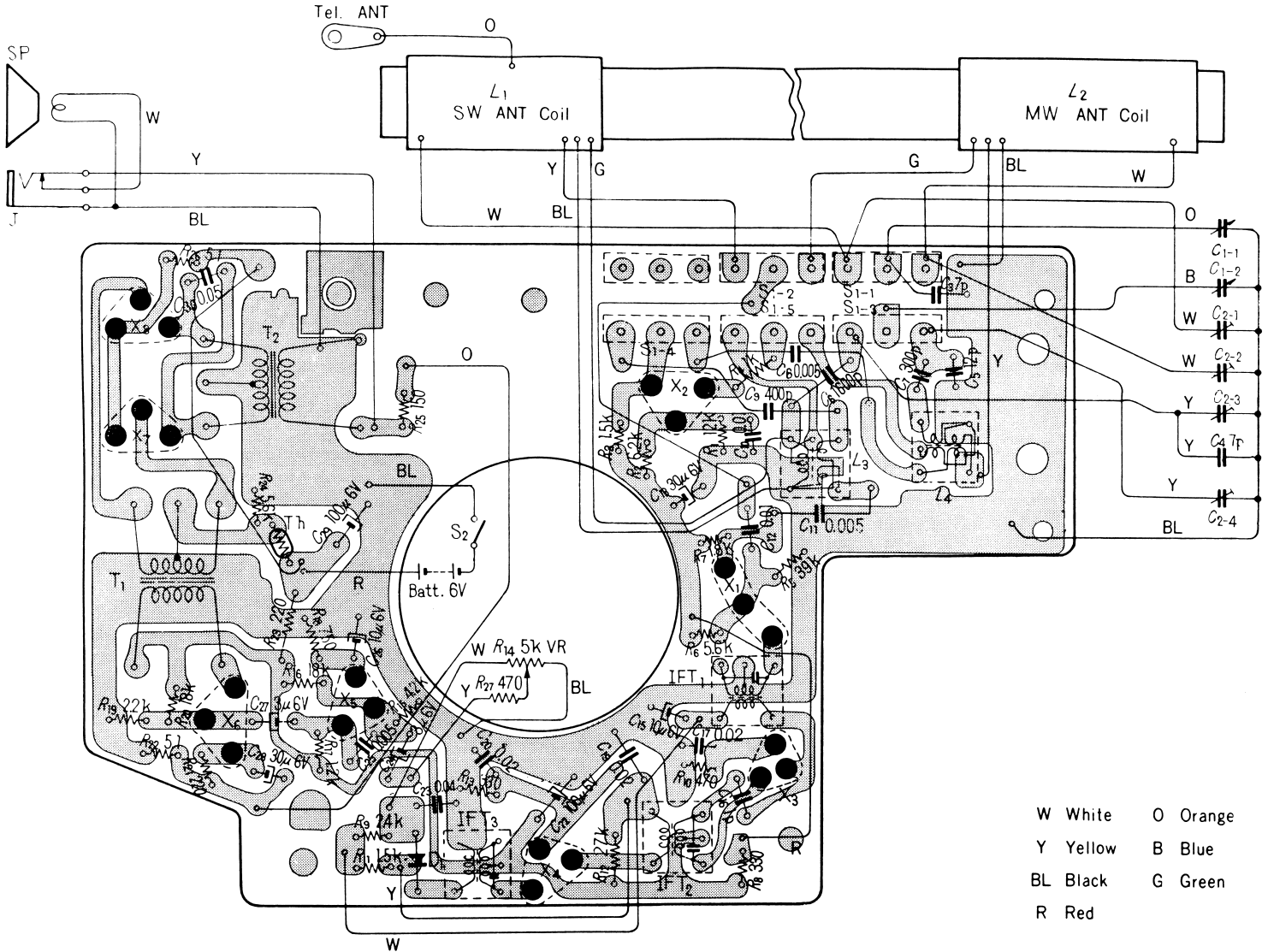
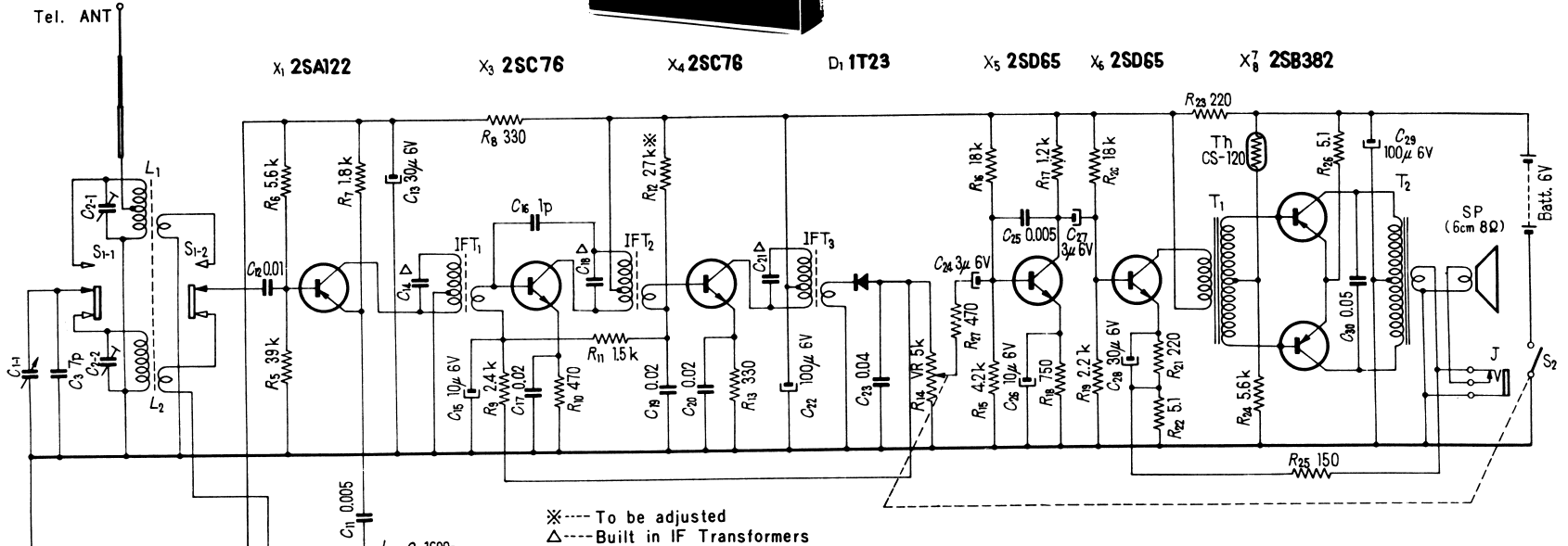
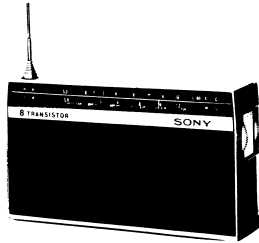


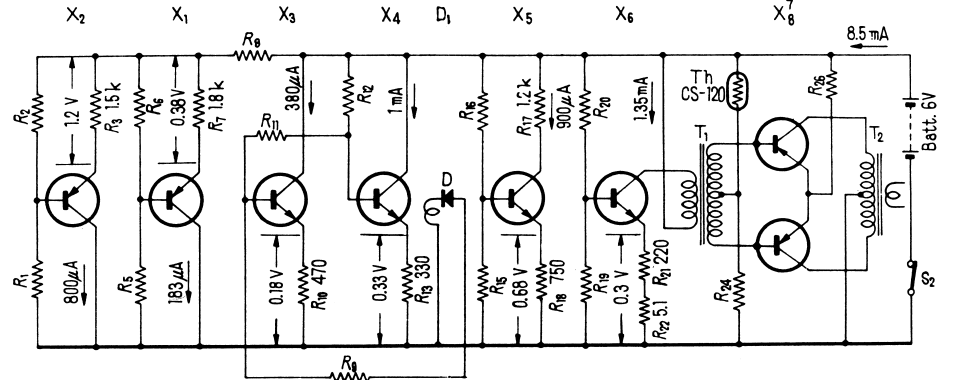
—Printed Side—





※---- To be adjusted
 △---- Built in IF Transformers

Voltage and Current Distribution Chart at Zero Signal



X₂ 2SA122

X₁ 2SA122

X₃ 2SC76

X₄ 2SC76

D₁ IT23

X₅ 2SD65

X₆ 2SD65

X₇ 2SB382