

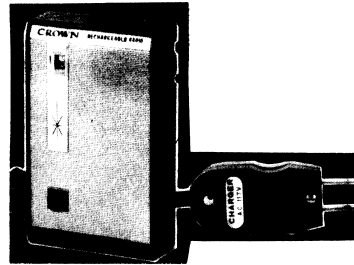
# CROWN SERVICE MANUAL

## RECHARGEABLE 7-TRANSISTOR RADIO

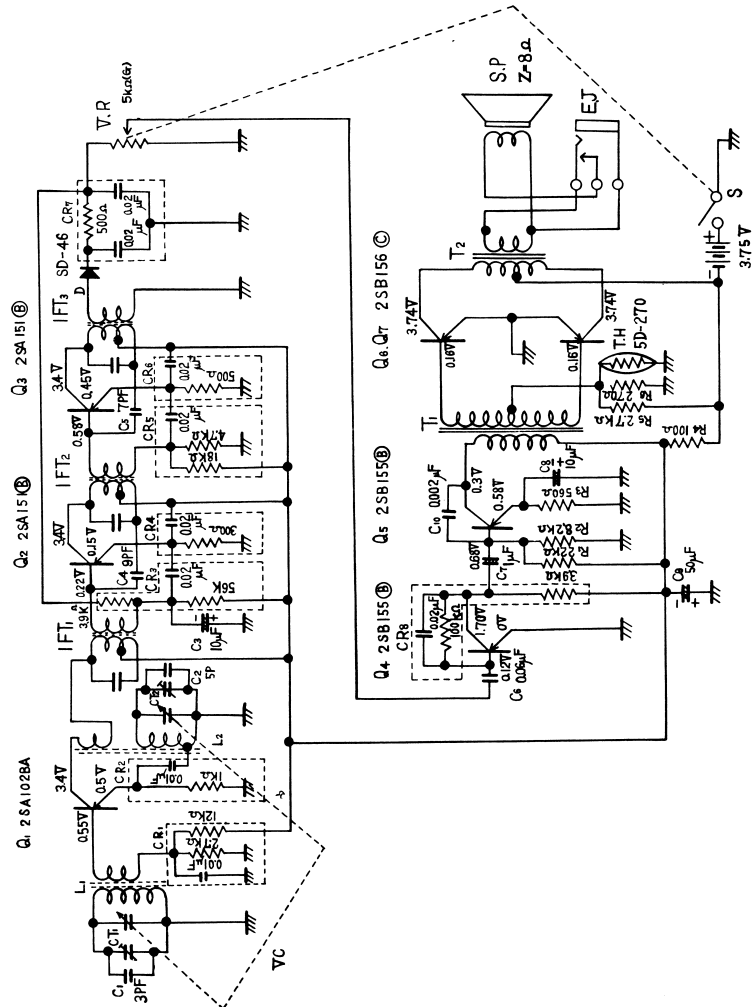
### MODEL TR-77OR

#### SPECIFICATIONS

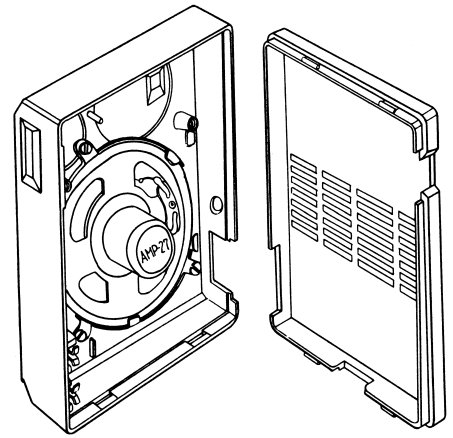
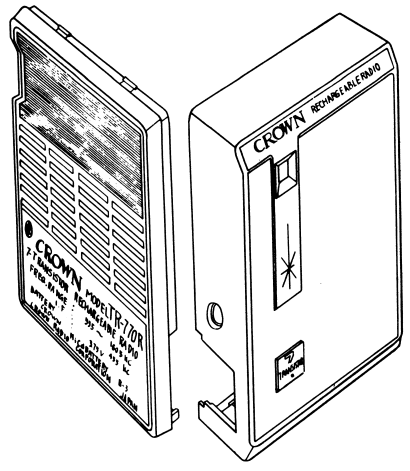
TYPE	Rechargeable Pocket Radio	
CIRCUIT SYSTEM	1-Band 7-Transistor Super-Heterodyne	
FREQUENCY RANGE	525 ± 5KC ~ 1650 ± 30KC (560m ~ 187m)	
INTERMEDIATE FREQUENCY	455KC	
SENSITIVITY	Maximum Sensitivity	40DB (100 $\mu$ V/m/15mW)
(Output 5mW)	Sensitivity at S/N 10DB	48DB (270 $\mu$ V/m/15mW)
OUTPUT POWER	Undistorted Output	120mW (at 10% Distortion)
	Maximum Output	180mW
MAIN PARTS	<ol style="list-style-type: none"> <li>Transistor           <ul style="list-style-type: none"> <li>2SA102 Frequency Converter</li> <li>2SA151 x 2 Intermediate Frequency Amplifier 2 Stage</li> <li>2SA155 x 2 Audio Frequency Amplifier 2 Stage</li> <li>2SB156 x 2 Power Amplifier</li> </ul> </li> <li>Thermistor</li> <li>Diode</li> <li>Bar Antenna</li> <li>Speaker</li> <li>Cabinet</li> </ol>	
MECHANISM	<ol style="list-style-type: none"> <li>Tuning Knob</li> <li>Power Switch &amp; Volume Control Knob</li> <li>Dial</li> </ol>	
DIMENSIONS	4" x 2 1/2" x 1"	
WEIGHT	6.40g. (101 x 64 x 24m/m) (200gr) with Batteries	
POWER SOURCE	Rechargeable Nickel Cadmium Battery, Crown B-3 (3.75V) Replaceable with JIS UM-3 x 2	
REMARKS	<ol style="list-style-type: none"> <li>Operation Cutoff Voltage 1.9V</li> <li>Current Consumption 10mA at 0 Signal Input 40mA at Max. Undistorted Output 60mA at Max. Output</li> </ol>	
FEATURES	Nickel Cadmium Battery enables you to enjoy economical operation of the set. Besides, the battery compartment is equipped so that penlight Batteries can be used.	
CAUTION	<ol style="list-style-type: none"> <li>Charging time must not exceed 20 hours.</li> <li>For your reference, proper charging time is triple the time of operation, however, it must not exceed 20 hours. After enjoying 3 hours reception, 9 hours charging is proper enough.</li> </ol>	



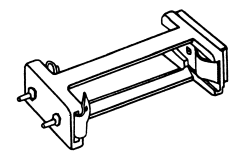
#### CIRCUIT DIAGRAM



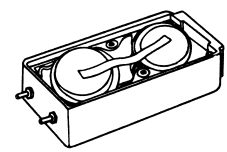
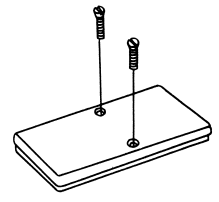
MOUNTING (1)



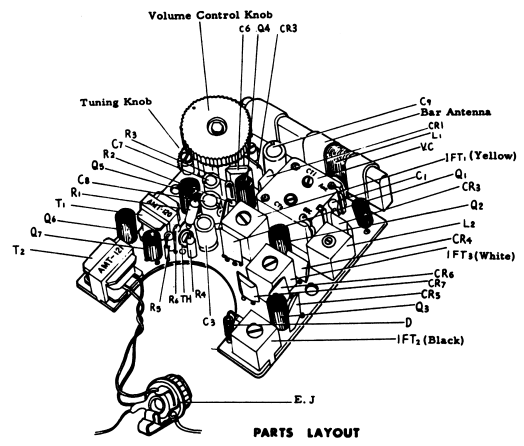
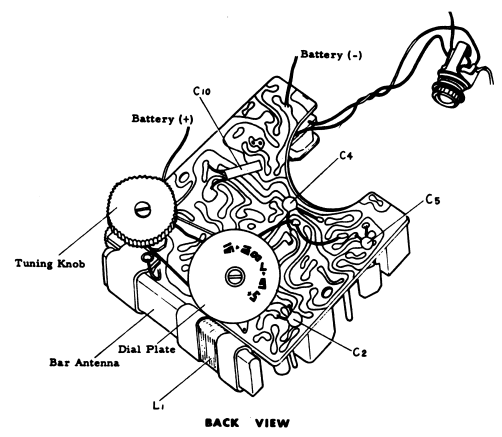
BATTERY CASE FOR (UM-3)



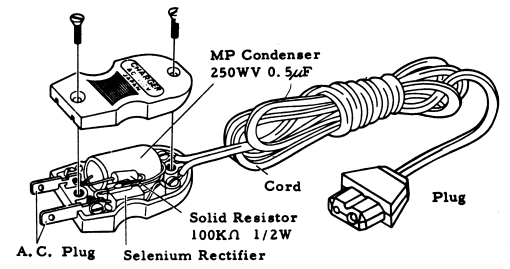
NI-CD BATTERY CASE



MOUNTING (2)



PARTS LAYOUT



Note: The figures in the parentheses show the order of the parts in the parts list.