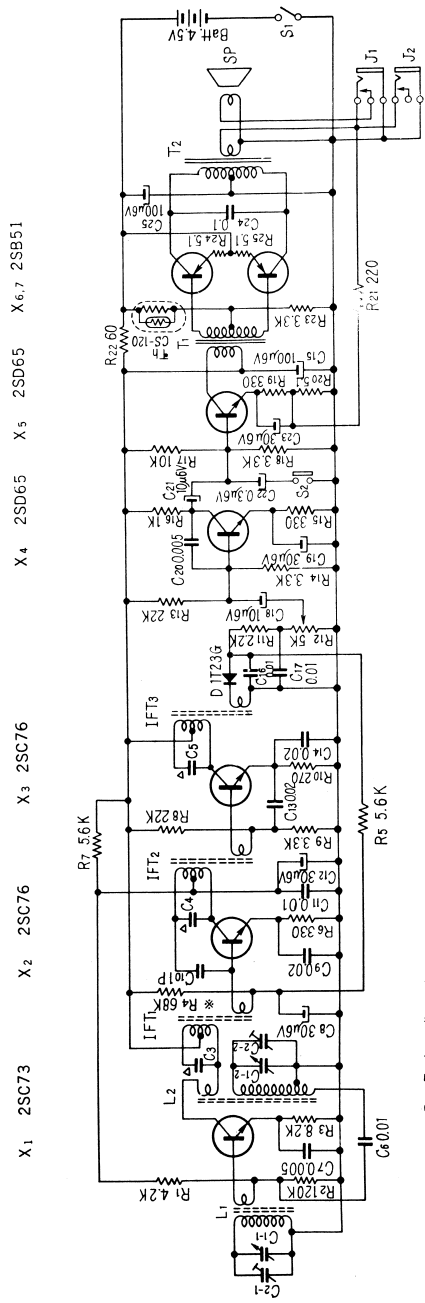
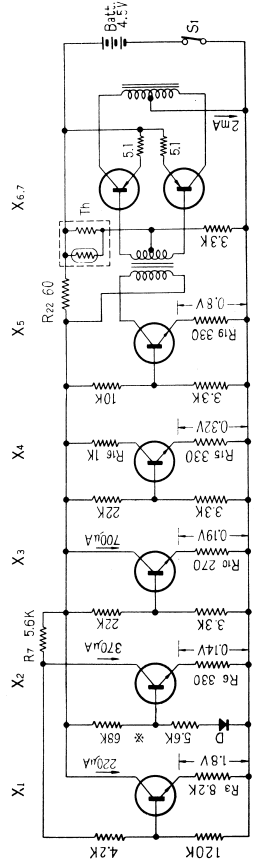


Schematic Diagram



* R₄: To be adjusted
 Capacitors marked with "Δ" are built in relative IF Transformers.

Voltage and Current Distribution Chart at Zero Signal



Mounting Diagram

—Printed Side—

