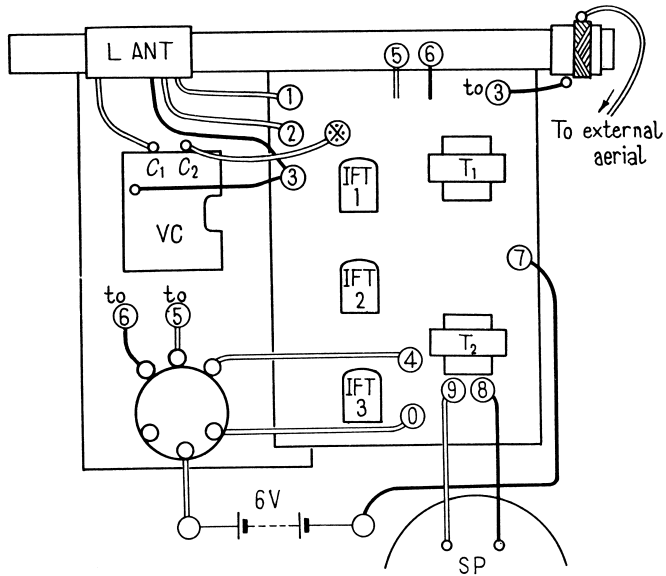
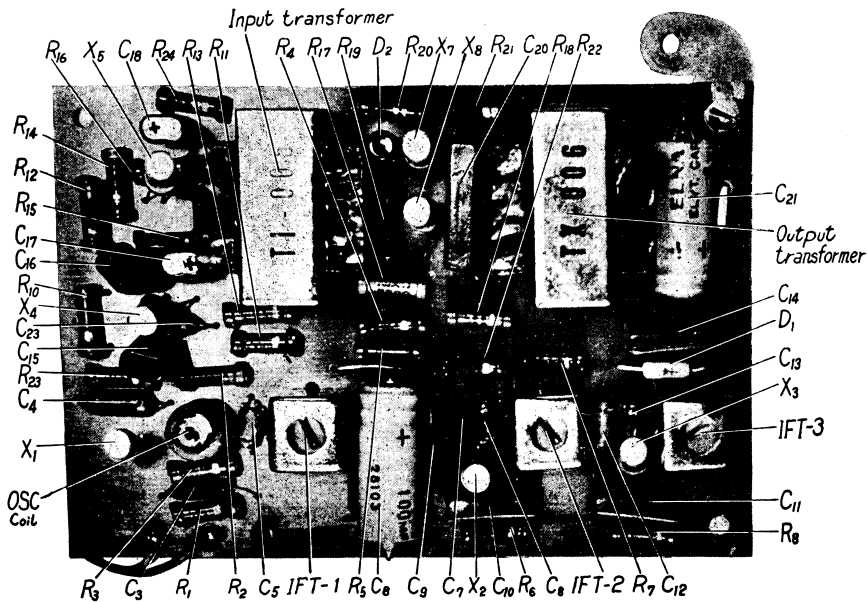


(3) Antenna and Volume control



Mounting of TR-712



# SONY SERVICING GUIDE

## TR - 7 1 2

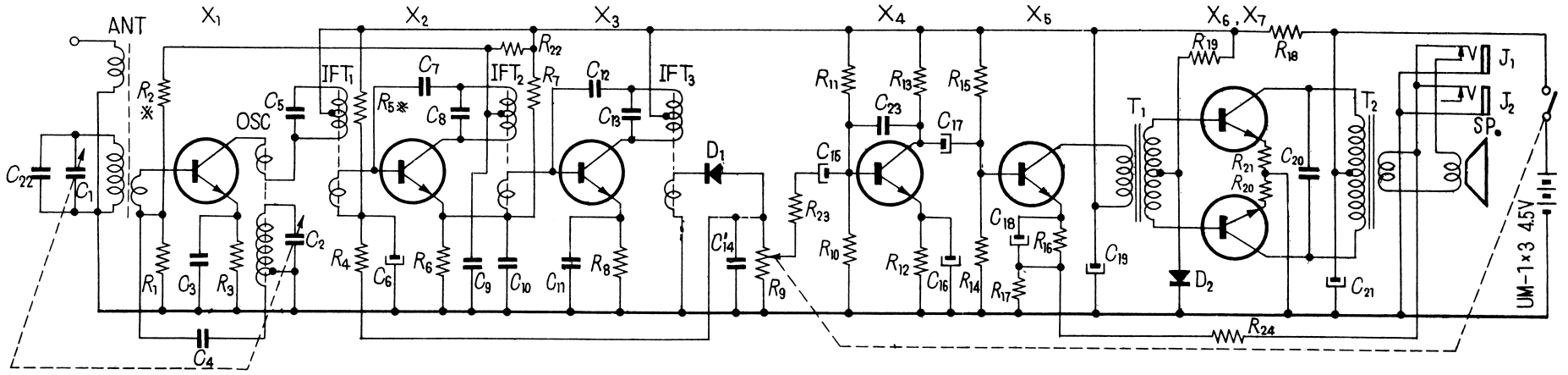


### Specifications for TR-712

<b>Circuit</b>	: 7 transistor superheterodyne
<b>Covering range</b>	: 535~1,605 Kc
<b>IF frequency</b>	: 455 Kc
<b>Sensitivity</b>	: 40 $\mu$ V/m with built-in bar antenna (50mW output) 5 $\mu$ V/m with external aerial of 5 m, effective height. (50mW output)
<b>Selectivity</b>	: 17 db (10 Kc off resonance at 1,400 Kc)
<b>Output power</b>	: 120 mW (undistorted)
<b>Current drain</b>	: 11 mA $\pm$ 20% at 0 signal
<b>Speaker</b>	: 5" PM dynamic speaker
<b>Battery</b>	: 3 standard size flash light batteries (4.5 Volts)
<b>Dimensions</b>	: 290 $\times$ 100 $\times$ 145 mm (11 $\frac{1}{2}$ " $\times$ 4" $\times$ 5 $\frac{3}{4}$ " )
<b>Weight</b>	: 1.5 Kg (3.3 lbs.)
<b>Color</b>	: Grey

**SONY**

**CIRCUIT DIAGRAM FOR TR-712**



C <sub>1</sub>	} Tuning Capacitor	C <sub>11</sub>	0.05 μF	C <sub>21</sub>	100 μF 6 V	R <sub>7</sub>	5.6 KΩ	R <sub>17</sub>	5 Ω	X <sub>2</sub>	1F <sub>1</sub> 2T7	OSC.	Oscillator Coil
C <sub>2</sub>		C <sub>22</sub>	2 pF	C <sub>22</sub>	3 pF	R <sub>8</sub>	330 Ω	R <sub>18</sub>	60 Ω	X <sub>3</sub>	1F <sub>2</sub> 2T7	1F T <sub>1</sub>	I.F. Trans.
C <sub>3</sub>	0.005 μF	C <sub>13</sub>	200 pF	C <sub>23</sub>	0.005 μF	R <sub>9</sub>	VR. with Switch 5 KΩ	R <sub>19</sub>	2.2 KΩ	X <sub>4</sub>	AF <sub>1</sub> 2T6	1F T <sub>2</sub>	I.F. Trans.
C <sub>4</sub>	0.01 μF	C <sub>14</sub>	0.05 μF			R <sub>10</sub>	5.6 KΩ	R <sub>20</sub>	5 Ω	X <sub>5</sub>	AF <sub>2</sub> 2T6	1F T <sub>3</sub>	I.F. Trans.
C <sub>5</sub>	200 pF	C <sub>15</sub>	10 μF 3 V	R <sub>1</sub>	22 KΩ	R <sub>11</sub>	22 KΩ	R <sub>21</sub>	5 Ω	X <sub>6</sub>	PA 2T8 or 2T6	T <sub>1</sub>	Input Trans.
C <sub>6</sub>	10 μF 3 V	C <sub>16</sub>	30 μF 3 V	*R <sub>2</sub>	10 KΩ	R <sub>12</sub>	560 Ω	R <sub>22</sub>	5.6 KΩ	X <sub>7</sub>	PA 2T8 or 2T6	T <sub>2</sub>	Output Trans.
C <sub>7</sub>	3 pF	C <sub>17</sub>	10 μF 3 V	R <sub>3</sub>	3.3 KΩ	R <sub>13</sub>	1 KΩ	R <sub>23</sub>	1 KΩ	D	Diode 1T23G	S.P.	P. D. Speaker 12cm 8Ω
C <sub>8</sub>	200 pF	C <sub>18</sub>	30 μF 3 V	R <sub>4</sub>	5.6 KΩ	R <sub>14</sub>	5.6 KΩ	R <sub>24</sub>	220 Ω	D <sub>2</sub>	Varistor 1T51	J <sub>1</sub>	Jack
C <sub>9</sub>	10 μF 6 V	C <sub>19</sub>	100 μF 6 V	*R <sub>3</sub>	30 KΩ	R <sub>15</sub>	10 KΩ					J <sub>2</sub>	Jack
C <sub>10</sub>	0.05 μF	C <sub>20</sub>	0.1 μF	R <sub>5</sub>	560 Ω	R <sub>16</sub>	220 Ω	X <sub>1</sub>	Conv. 2T7	ANT.	Antenna Coil		

**SONY CORPORATION**

Note: \* Adjusting Resistors