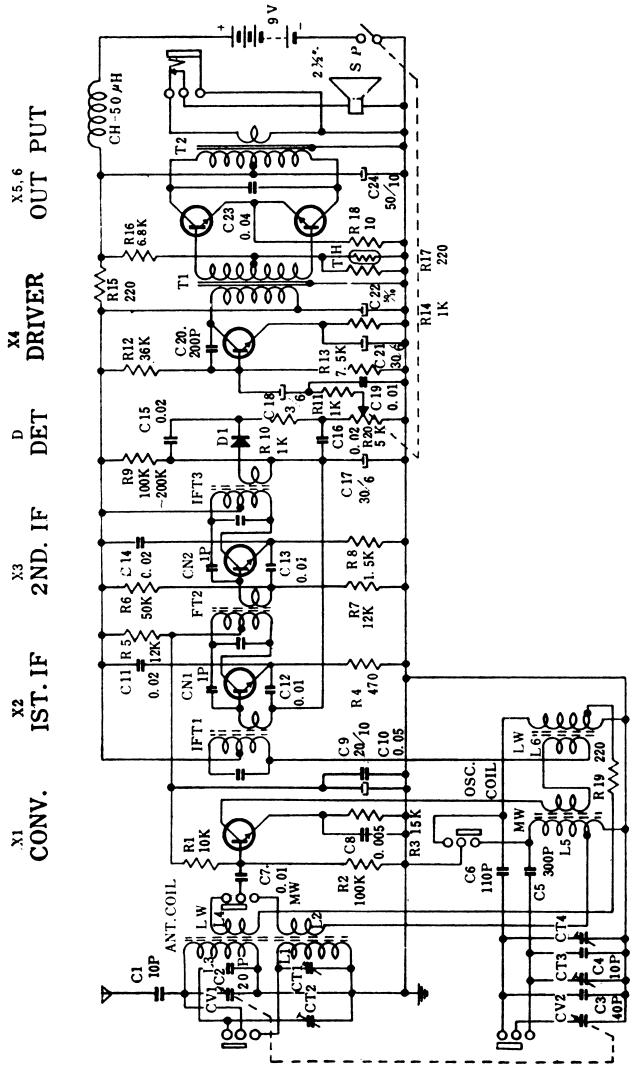


SCHEMATIC DIAGRAM



Electronic parts list

Symbol	Nomenclature	Description	Symbol	Nomenclature	Description
L1, L2	Ferrite bar antenna coil	MW	R10	Carbon resistor	1 K Ω
L3, L4	"	LW	R11	"	1 K Ω
L5	Oscillator coil	MW	R12	"	36 K Ω
L6	"	LW	R13	"	7.5 K Ω
CH	Choke coil	50 μ H	R14	"	1 K Ω
IFT1	"	"	R15	"	220 Ω
IFT2	"	"	R16	"	6.8 K Ω
IFT3	"	"	R17	"	220 Ω
T1	Interstage transformer	"	R18	"	10 Ω
T2	Output transformer	"	R19	"	220 Ω
X1	Transistor	2SC73	R20	Potentiometer	5 K Ω
X2	"	2SC76	C1	Capacitor	1PF \pm 5%
X3	"	2SC76	C2	"	1PF \pm 5%
X4	"	2SD66	C3	"	40PF \pm 5%
X5, X6	"	2SD65	C4	"	10PF
D	Diode	1T23G	C5	"	300PF
TH	Thermistor	S-250	C6	"	110PF
CV1,	Tuning capacitor	"	C7	"	0.01 μ F \pm 20%
CV2	"	"	C8	"	0.005 μ F \pm 20%
CT1	Trimmer capacitor	"	C9	"	20 μ F 10V
CT2	"	"	C10	"	0.05 μ F \pm 20%
CT3	"	"	C11	"	0.02 μ F \pm 20%
CT4	"	"	C12	"	0.01 μ F \pm 20%
R1	Carbon resistor	10 K Ω	C13	"	0.02 μ F \pm 20%
R2	"	100 K Ω	C14	"	0.02 μ F \pm 20%
R3	"	15 K Ω	C15	"	200PF \pm 10%
R4	"	470 Ω	C16	"	30 μ F 6V
R5	"	12 K Ω	C17	"	3 μ F 6V
R6	"	12 K Ω	C18	"	0.01 μ F \pm 20%
R7	"	15 K Ω	C19	"	200PF \pm 10%
R8	"	12 K Ω	C20	"	30 μ F 6V
R9*	"	15 K Ω	C21	"	50 μ F 10V
		100 K Ω or	C22	"	0.02 μ F \pm 20%
		150 K Ω or	C23	"	"
		200 K Ω	C24	"	"

* R9 must be adjusted to obtain specified collector current of X2 when D or X2 is replaced.