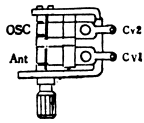
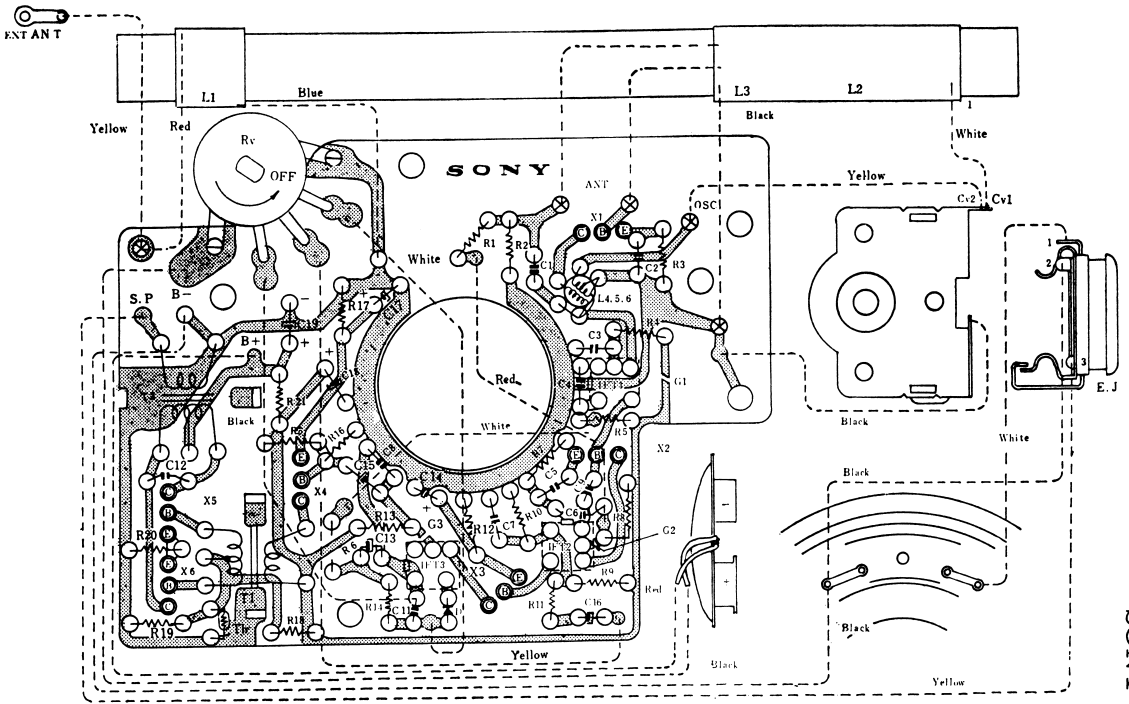
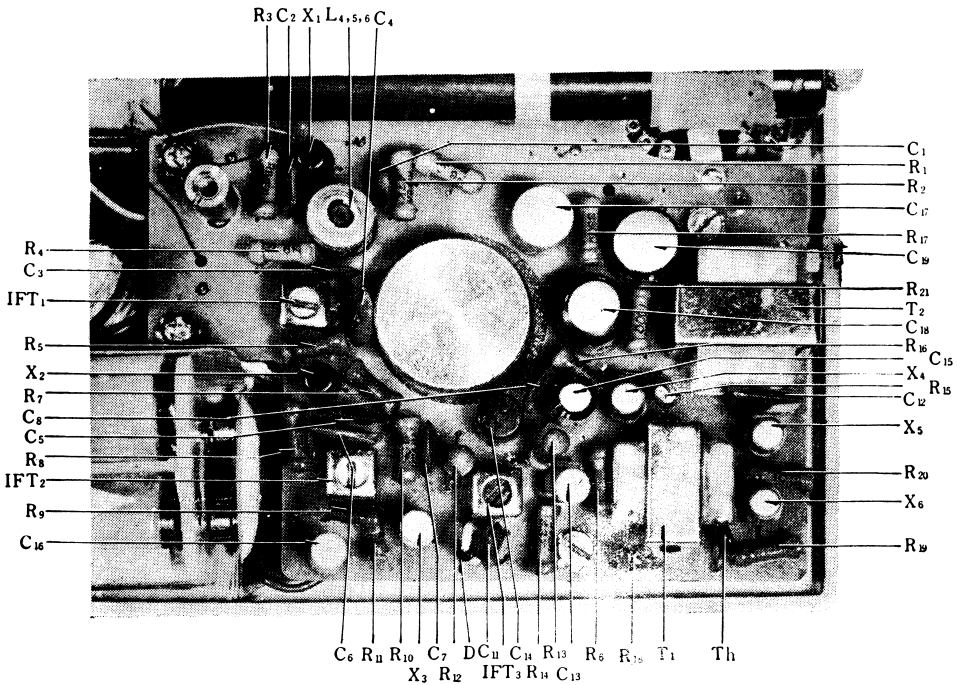


Mounting Diagram for TR-609

— printed side —



— mounted side —



Adjustment and Alignment

a) *Frequency coverage :*

Lower limit	Adjust	Upper limit	Adjust
520 Kc	Core of L4, L6	1,680 Kc	CV2-2

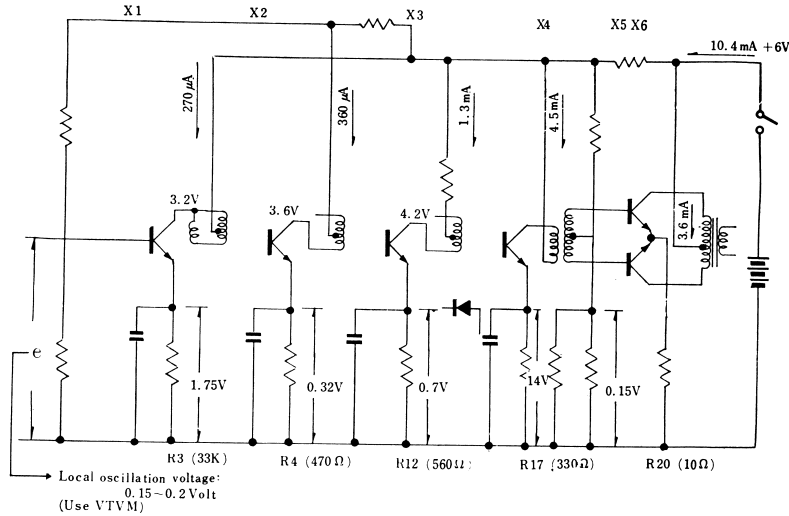
b) *Tracking alignment*

Checking point	Adjust
620 Kc	Position of L2,L3 along ferrite bar
1400 Kc	CV1-2

L1, the coil for external antenna, should be fixed before the tracking alignment.

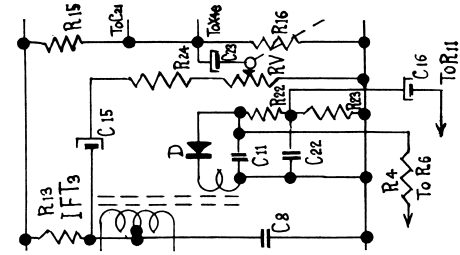
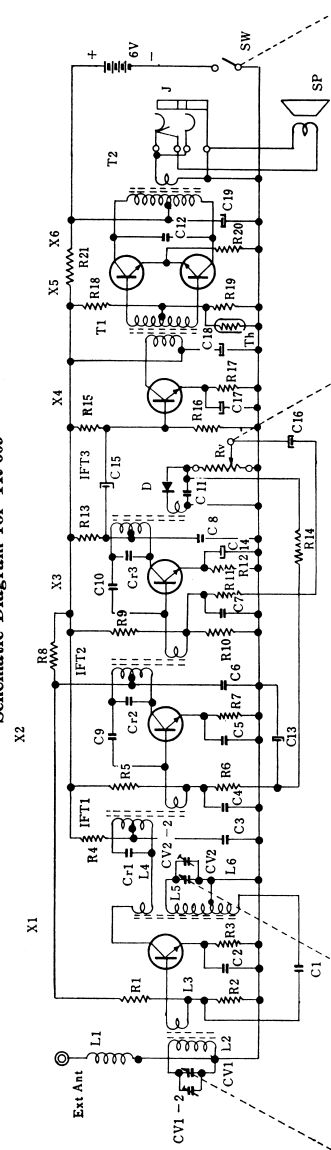
Adequate distance between the center of L1 and the end of the ferrite bar is 8-10 mm.

Current and voltage distribution at zero signal



Transistor	Center value of I _c	Acceptable range of I _c
X1	270 μA	270 μA ± 10 μA
X2	360 μA	360 μA ± 10 μA
X3	1.3 mA	1.3 mA ± 0.1 mA
X4	4.5 mA	4.5 mA ± 0.2 mA
X5, X6	1.8 mA	1.8 mA ± 0.3 mA

Schematic Diagram for TR-609

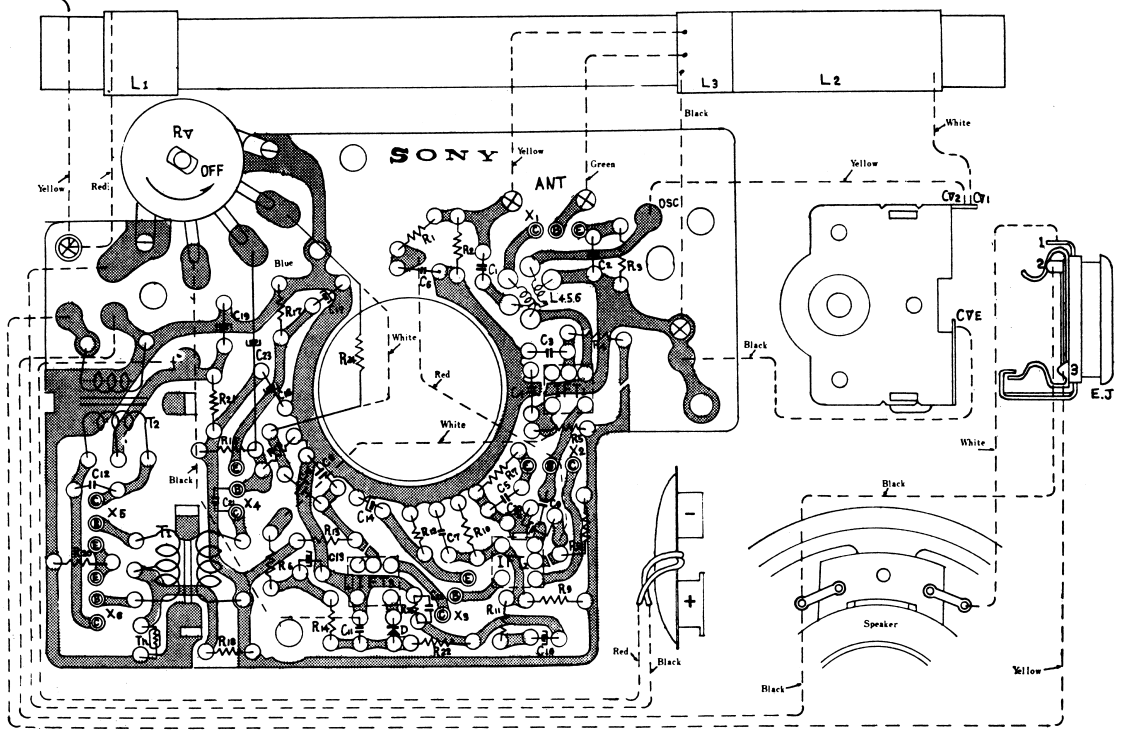


Revised circuit after serial No. 58001

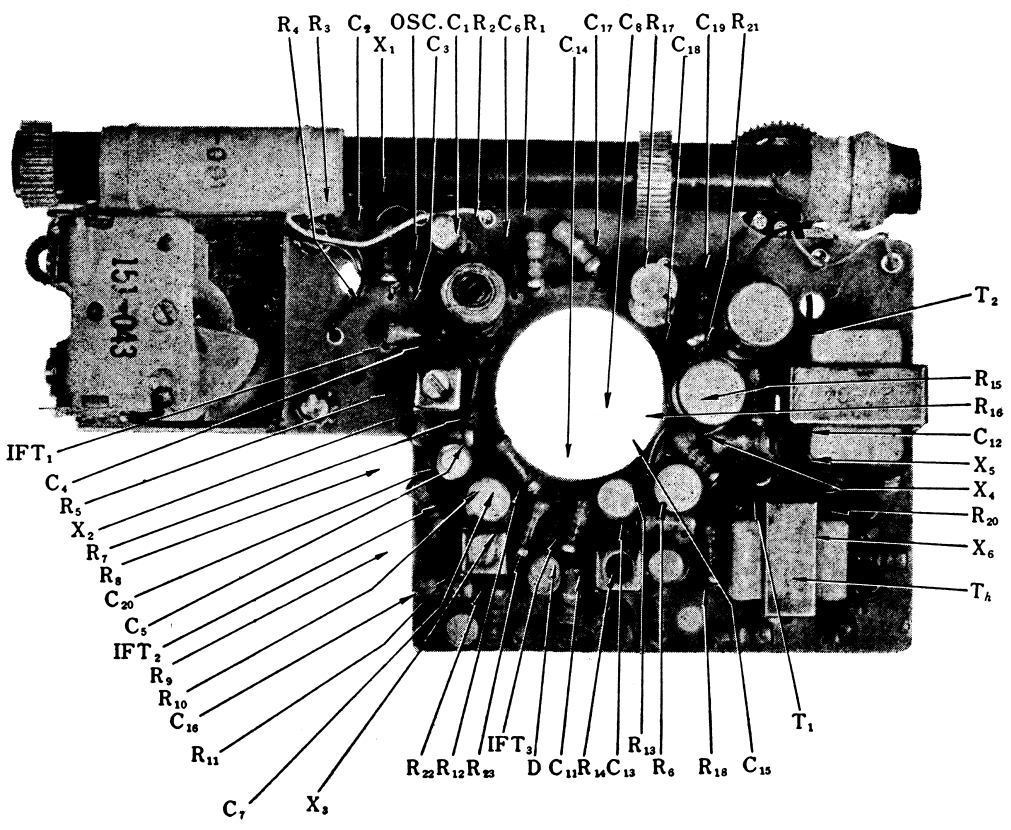
L1, 2, 3	Ferrite bar antenna coil	0.1 μF mylar	C12	2.2 KΩ	C12	0.1 μF mylar
L4, 5, 6	Oscillator coil	1 KΩ	C13	1 KΩ	C13	10 μF 3 V electrolytic
IFT1	IF transformer	560 Ω	C14	560 Ω	C14	30 μF 3 V "
IFT3	"	3.3 KΩ	C15	3.3 KΩ	C15	10 μF 6 V "
T1	"	3.9 KΩ	C16	3.9 KΩ	C16	10 μF 3 V "
T2	Interstage transformer	2.2 KΩ	C17	2.2 KΩ	C17	50 μF 3 V "
J	Output transformer	330 Ω	C18	330 Ω	C18	100 μF 6 V "
Ext.	Earphone jack	220 Ω	C19	220 Ω	C19	100 μF 6 V "
X1	ON/OFF switch	10 Ω	C2	(deleted)	C2	2PF " IFT1
X2	External aerial jack	5 KΩ	C3	5 KΩ	C3	2PF " IFT2
X3	Transistor 25C76	100 Ω	C20	100 Ω	C20	2PF " IFT3
X4	"	100 Ω	C21	100 Ω	C21	— (10 μF 6 V electrolytic)
X5, X6	"	100 Ω	C22	100 Ω	C22	— (0.002 μF mylar)
D	Diode 1T29G	5 KΩ potentiometer	C23	5 KΩ potentiometer	C23	— (30 μF 3 V electrolytic)
Th	Thermistor S-250 (CS-120)	Tuning condenser		Tuning condenser		
R1	30 KΩ	0.01 μF ± 30% - 20%		0.01 μF ± 30% - 20%		
R2	47 KΩ	0.04 μF		0.04 μF		
R3	3.3 KΩ	0.04 μF		0.04 μF		
R4	5.6 KΩ	0.1 μF mylar		0.1 μF mylar		
R5	82 KΩ	0.02 μF		0.02 μF		
R6	2.2 KΩ	1PF		1PF		
R7	330 Ω	0.02 μF		0.02 μF		
R8	8.2 KΩ	0.02 μF		0.02 μF		
R9	8.2 KΩ	0.01 μF		0.01 μF		

Revised values (after serial No. 58001) are shown in parentheses.

Ext ANT



— mounted side —



SONY MODEL TR-609