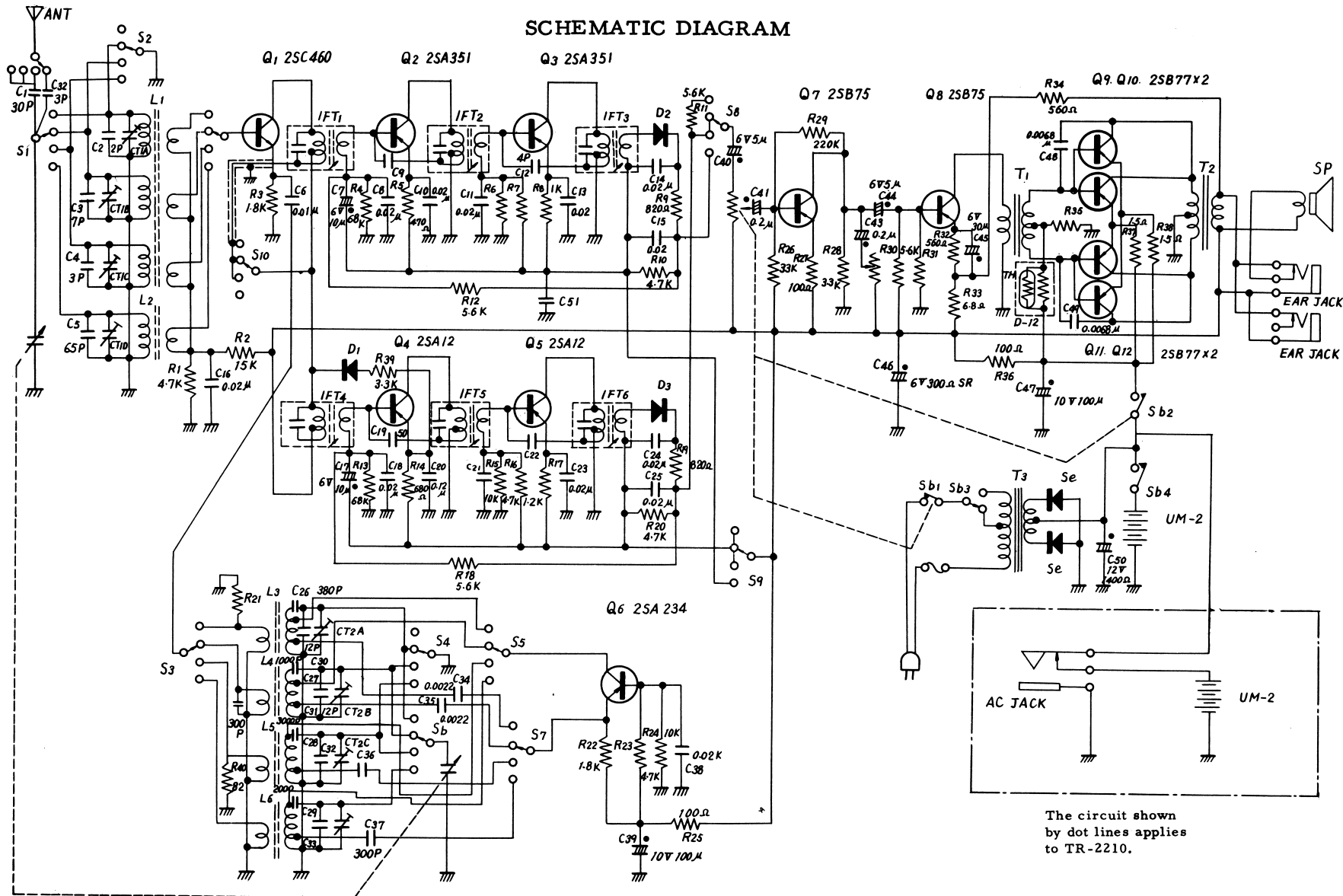
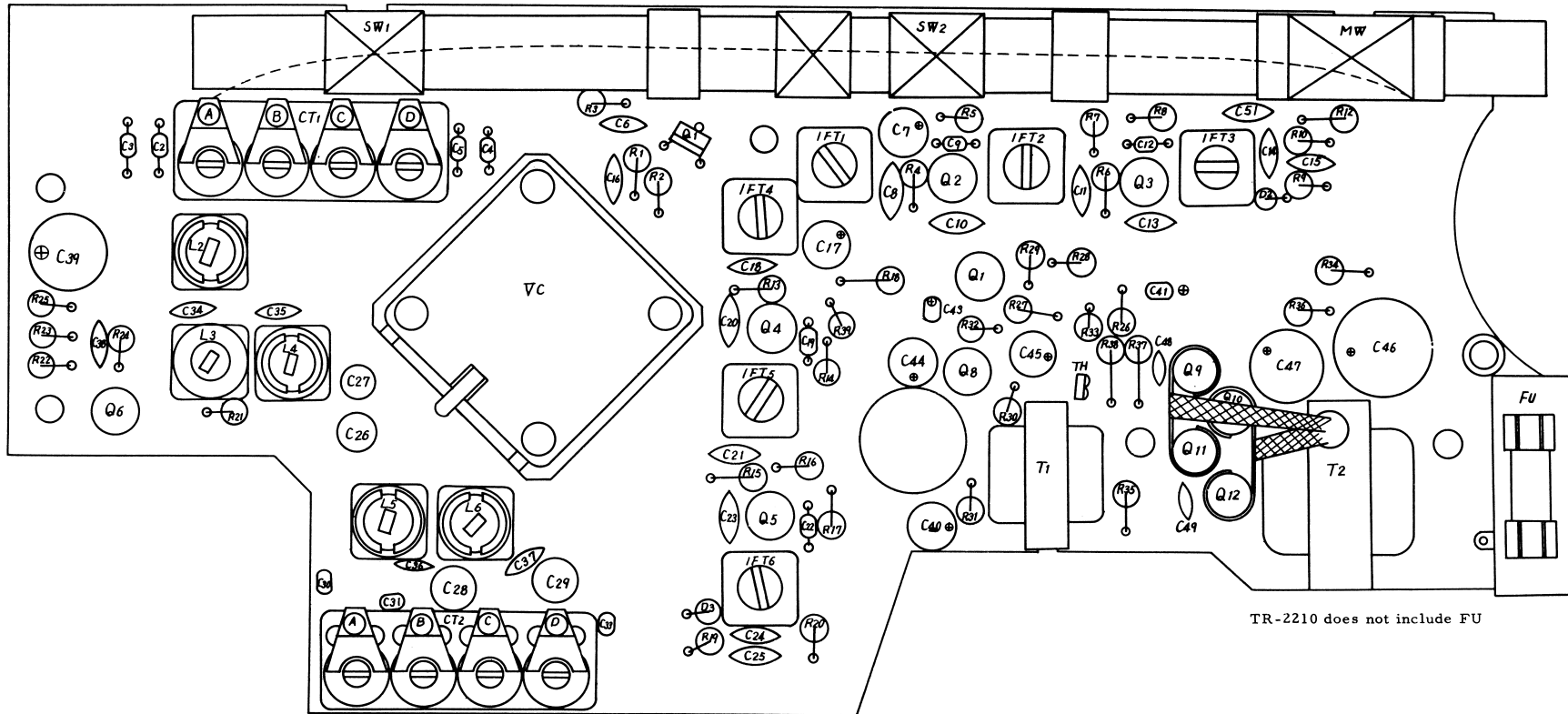


SCHMATIC DIAGRAM



The circuit shown by dot lines applies to TR-2210.

Fig. 1

CHASSIS LAYOUT
(Component Side)

TR-2250 LEAD CONNECTIONS (3)

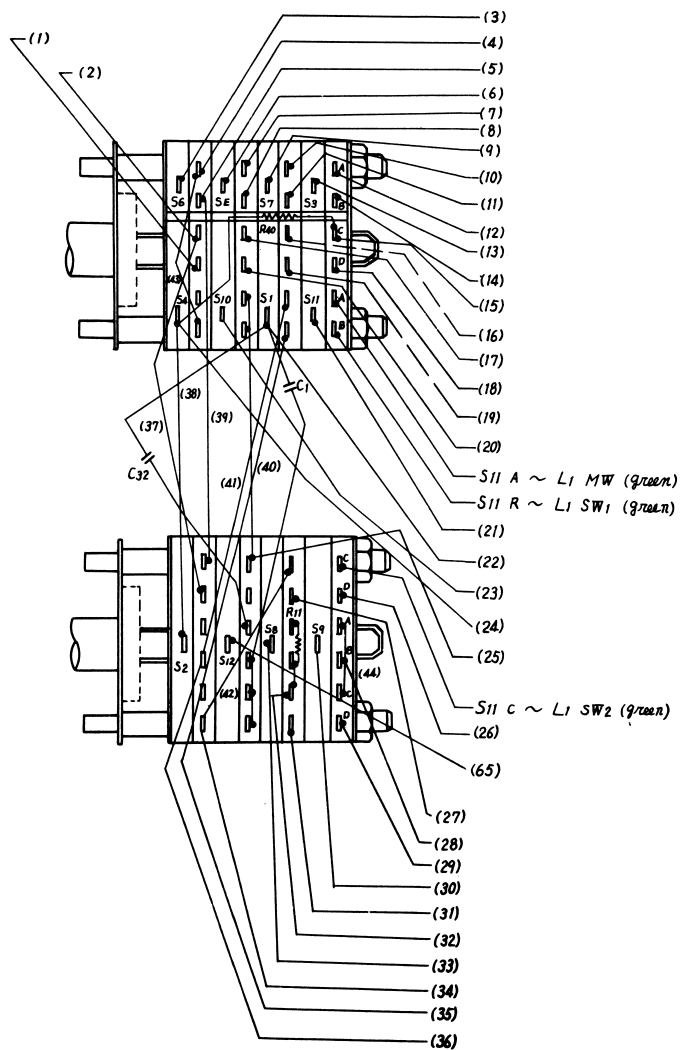


Fig. 8

TR-2210 LEAD CONNECTIONS (3)

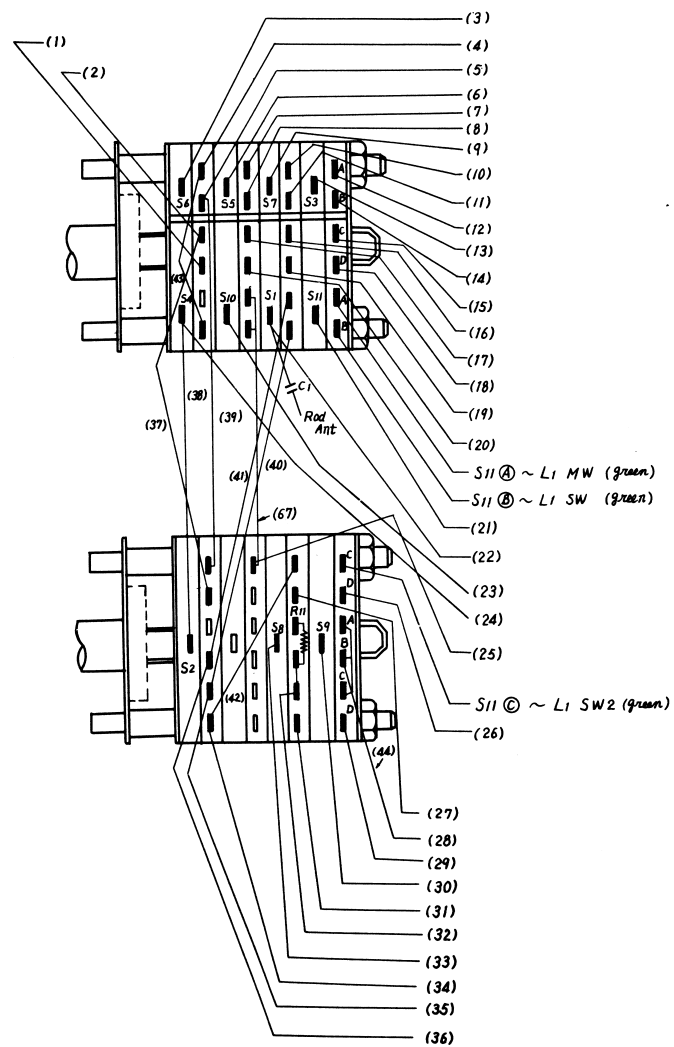


Fig. 9

TR-2250 LEAD CONNECTIONS (2)

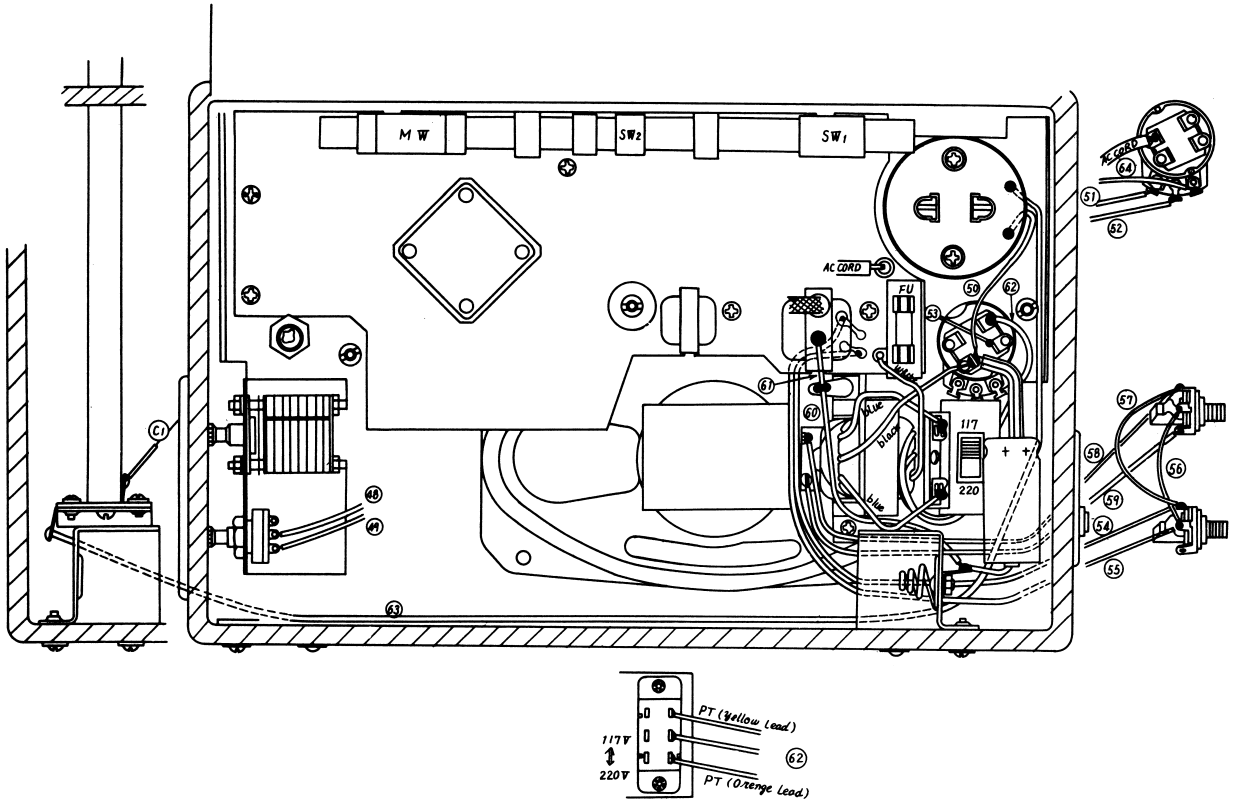
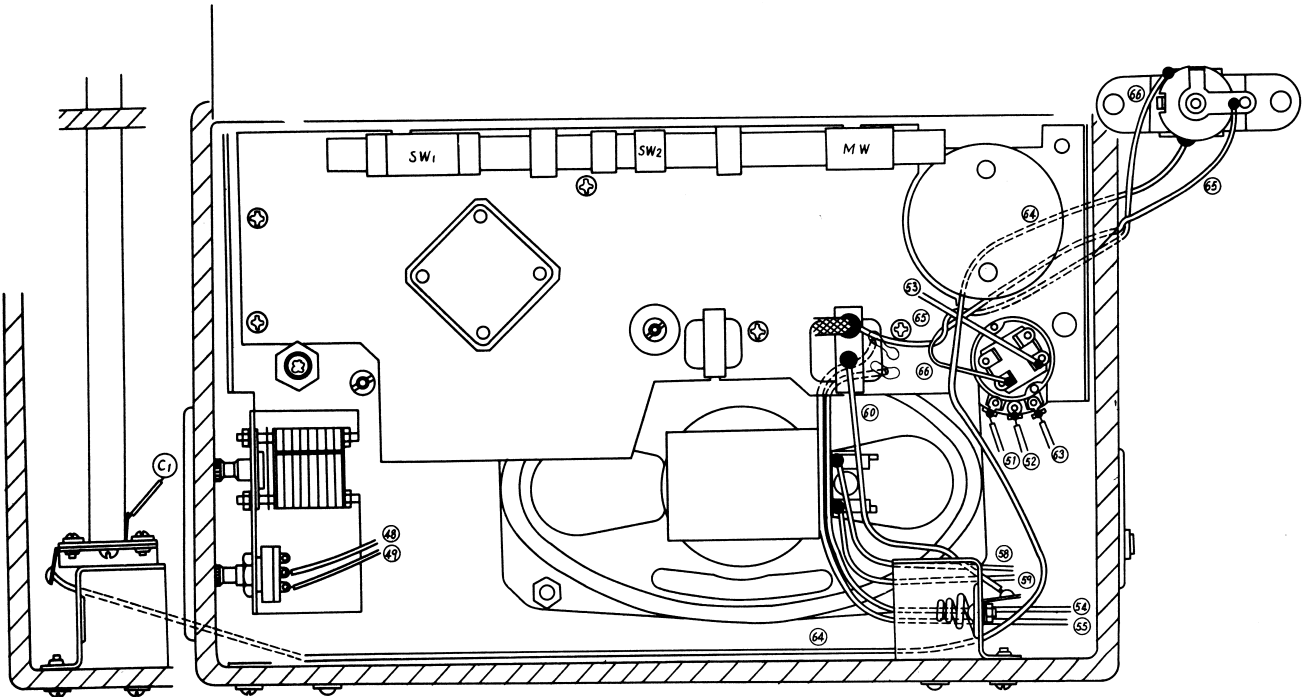


Fig. 6

TR-2210 LEAD CONNECTIONS (2)

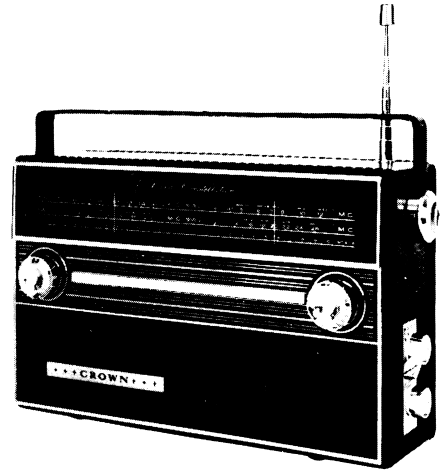


CROWN

SERVICE MANUAL

MODEL TR-2250

MODEL TR-2210



SPECIFICATIONS

TYPE:

TR-2250 (12 Transistor, 4-Band Superheterodyne Receiver, w/AC Supply)

TR-2210 (12 Transistor, 4-Band Superheterodyne Receiver, w/o AC Supply)

CONTROLS:

Tuning string drive, slide rule, vernier
 Power On/Off volume control interlock
 Band Selection rotary switch
 Volume variable resistor
 Tone tone control

DESCRIPTION:

Frequency Range MW 530 - 1605 Kc
 SW1 1.6 - 4 Mc
 SW2 4 - 12 Mc
 SW3 12 - 26 Mc
 IF MW/SW1/SW2 455 Kc
 SW3 1.82 Mc

Output Power undistorted : 600mW±70mW
 maximum: 950mW±100mW

Power Source DC 6V, "C" size battery x 4
 AC 117 or 220V (TR-2210)

requires AC adaptor)
 Maximum Sensitivity .. MW : 34dB±6dB at 1000 Kc
 (W=50mW) SW1 : 36dB±6dB at 3 Mc
 SW2 : 38dB±6dB at 7.5 Mc
 SW3 : 17dB±6dB at 19 Mc
 Useable Sensitivity .. MW : 38dB±4dB at 1000 Kc
 (W=50mW, S/N-10dB) SW1 : 36dB±4dB at 3 Mc
 SW2 : 39dB±4dB at 7.5 Mc
 SW3 : 20dB±4dB at 19 Mc
 S/N Ratio MW : 30dB±4dB at 1000 Kc
 (W=50mW) (input=-60dB)
 SW1 : 32dB±4dB at 3 Mc
 (input=-60dB)
 SW2 : 34dB±4dB at 7.5 Mc
 (input=-60dB)
 SW3 : 38dB±4dB at 19 Mc
 (input=-44dB)
 Current Consumption no signal : 19mA±4mA
 undistorted output: 175mA±15mA
 maximum output: 210mA±20mA
 Under Voltage non-working voltage: 3.5V or
 less
 Dimensions 7-7/8x11-7/16x3-9/16 inches
 Weight 4.4 lbs (approx.) w/batteries