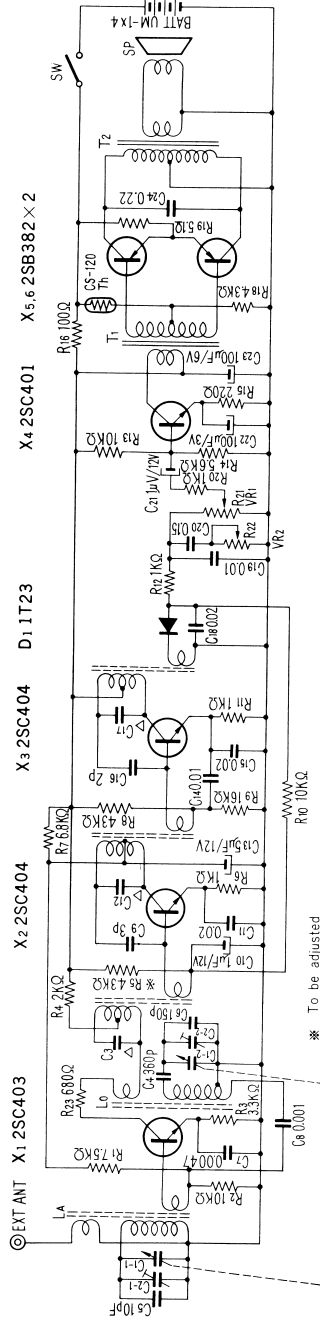
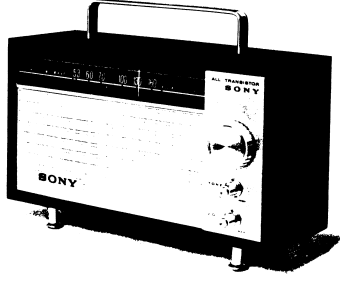


Schematic Diagram



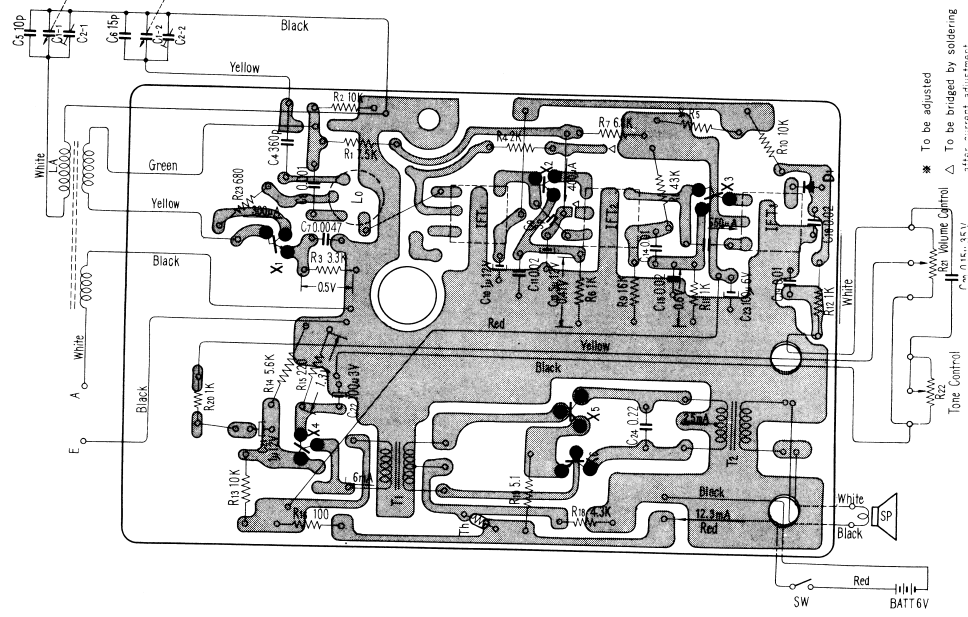
* To be adjusted

Capacitors marked with "△" are built in relative IF Transformers.



Mounting Diagram

— Printed Side —



* To be adjusted
 △ To be bridged by soldering after correct adjustment
 Tone Control
 Max Volume Control
 (See page 145)

