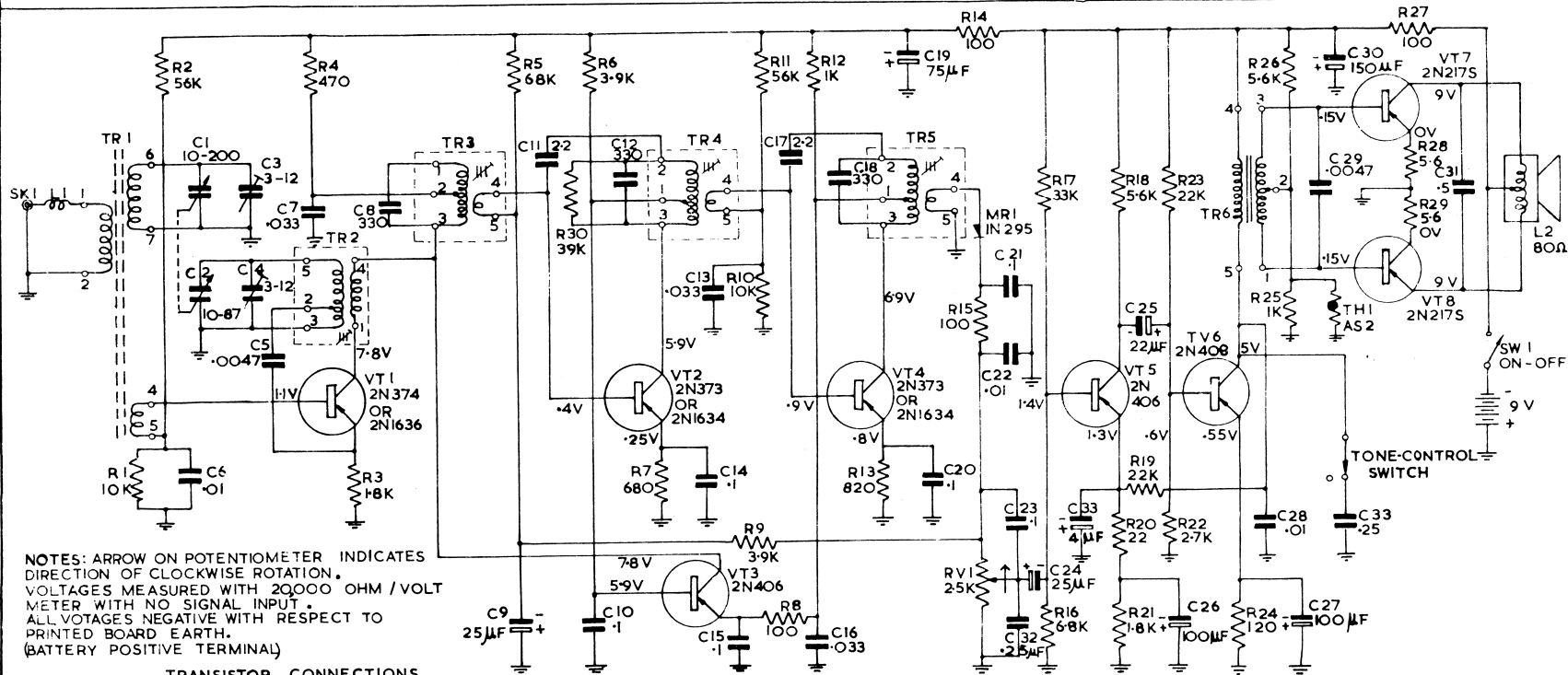


C	1	2	3	4	5	6	7	8	9	10	11	12	13	14	15	16	17	18	19	20	21	22	23	24	25	26	27	28	29	30	31	
R	1	2		4	3			5	6	7		9	10	8		13		15	16	17	18	19	23	24	25	26	27	28	29	30	31	
L	1																															
T	1		2		3																											

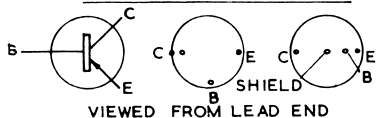
GENERAL  ELECTRIC

AUSTRALIA  
TRANSISTOR PORTABLE '8'  
MODEL TP1  
CIRCUIT

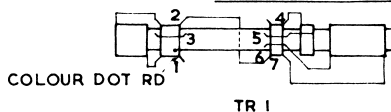


NOTES: ARROW ON POTENTIOMETER INDICATES DIRECTION OF CLOCKWISE ROTATION.  
VOLTAGES MEASURED WITH 20000 OHM / VOLT METER WITH NO SIGNAL INPUT.  
ALL VOLTAGES NEGATIVE WITH RESPECT TO PRINTED BOARD EARTH.  
(BATTERY POSITIVE TERMINAL)

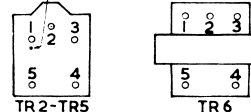
#### TRANSISTOR CONNECTIONS



#### BASE CONNECTIONS



#### COLOUR DOT



USE: 9 VOLT BATTERY  
TYPE 276 P