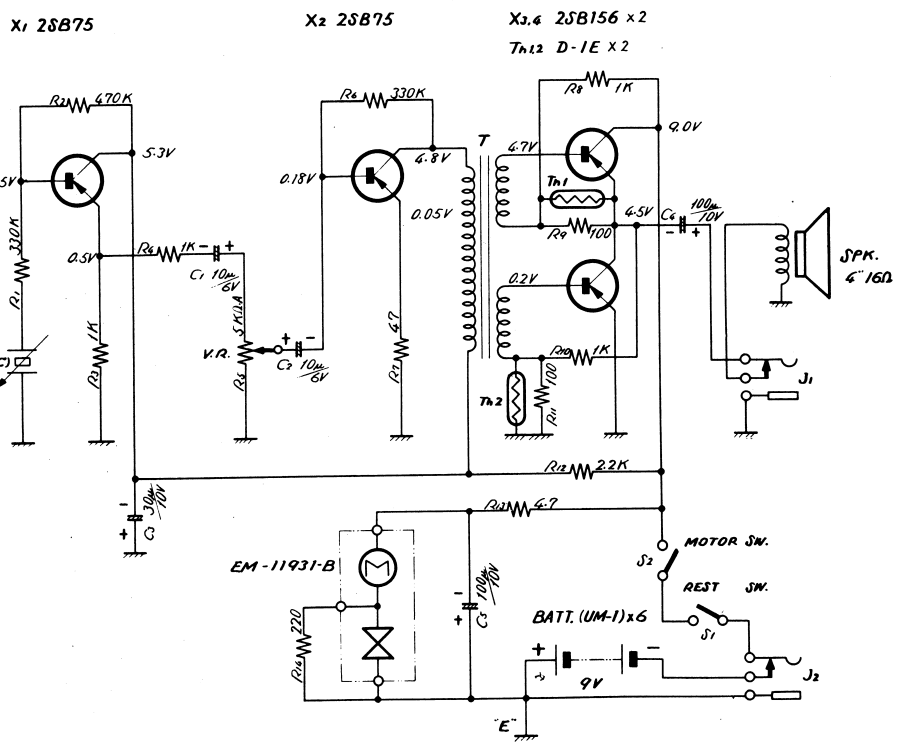


FIG. 7



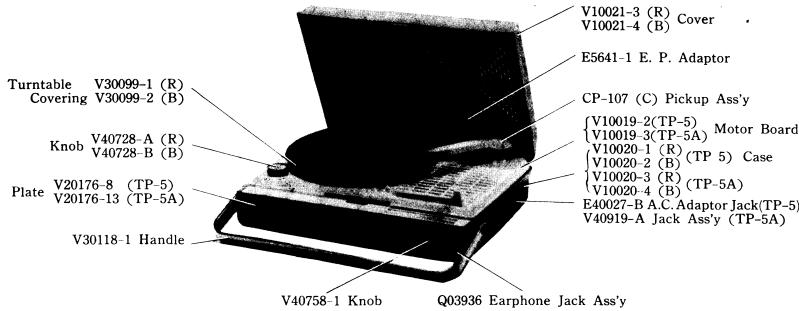
- Notes: 1. Voltages are measured with no signal using V. T. V. M. against "E" potential.  
 2. Last No. C:5, R:14

Fig. 8 Schematic Diagram Model TP-5



NIVICO

SERVICE NOTE



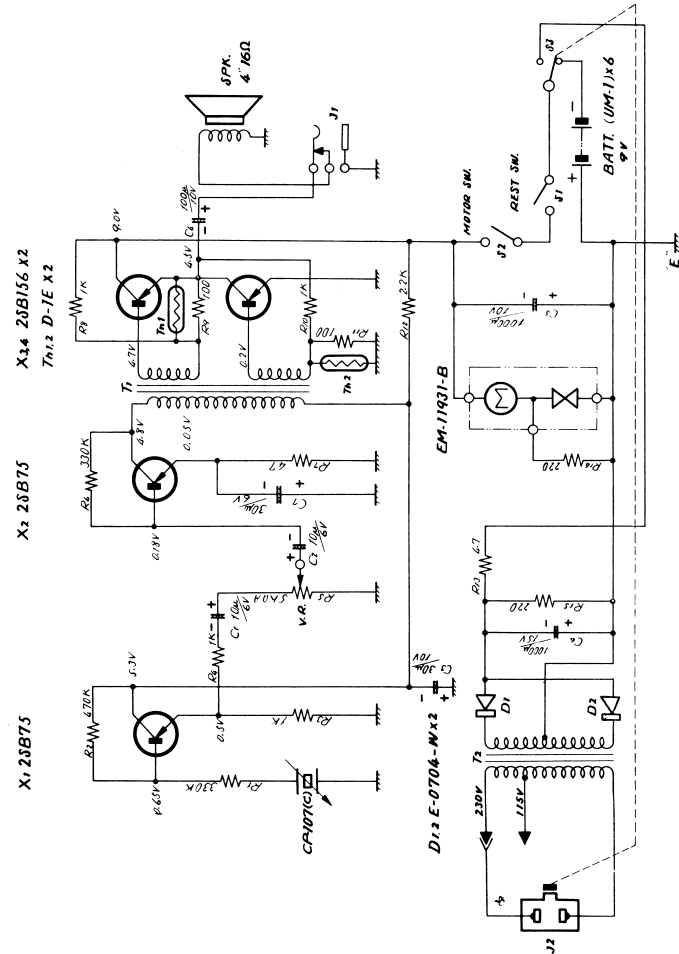
MODEL TP-5 (A)

4 TRANSISTOR PHONOGRAPH

DIMENSIONS: H-3 3/8" W-11 3/8" D-3/4" WEIGHT: TP-5 4.7 lbs. (with batteries)  
 " : TP-5A 5.3 lbs. (with batteries)

SPECIFICATIONS

Type :	4 Transistor Phonograph
Transistors :	TP-5 X1, 2 2SB75 x 2 Audio Amp. TP-5A X3, 4 2SB156 x 2 Power Amp. TP-5A X1, 2 2SB75 x 2 Audio Amp. TP-5A X3, 4 2SB156 x 2 Power Amp.
Diodes :	TP-5A D1, 2 E0704-W x 2 Rectifire
Thermistors :	Th1, 2 D-1E x 2 Automatic Temperature Control
Output Power :	1 W Maximum
Pickup :	Ceramic Pickup with Sapphire Stylus, Stylus Pressure 8 grs.
Motor :	3 Speed DC Phono Motor (33 1/2, 45, 78 r. p. m)
Turntable :	5 1/2" with Covering
Speaker :	4" P. M. Speaker
Jacks :	TP-5 Earphone Jack TP-5A AC Adaptor Jack TP-5A Earphone Jack AC Power Jack
Power Source :	TP-5 DC 9V JIS UM-1 (D Size Cell or Equivalents) x 6 pcs. TP-5A AC 230V 50 %



NOTES 1. Voltages are measured with no signal using V. T. V. M against "E" potential.  
 2. Last No. C:7, R:15

Fig. 9 Schematic Diagram Model TP-5A