

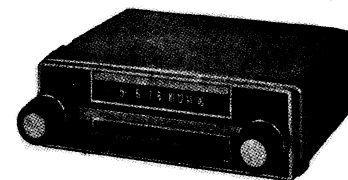
SPECIFICATIONS

CIRCUIT SYSTEM.....7-transistor superheterodyne
 TUNING RANGE 535 ~ 1,605KHz
 INTERMEDIATE FREQUENCY..455KHz
 TRANSISTORS
 Q1 2SC460.....FM RF Amp.
 Q2 2SC454.....Frequency convertor
 Q3 2SC454.....AM IF Amp.
 Q4 2SC458.....AF Amp.
 Q5 2SC458.....AF Amp.
 Q6 2SB337.....Power Amp.
 Q7 2SB337.....Power Amp.
 DIODES
 D1 1N34A.....AGC.

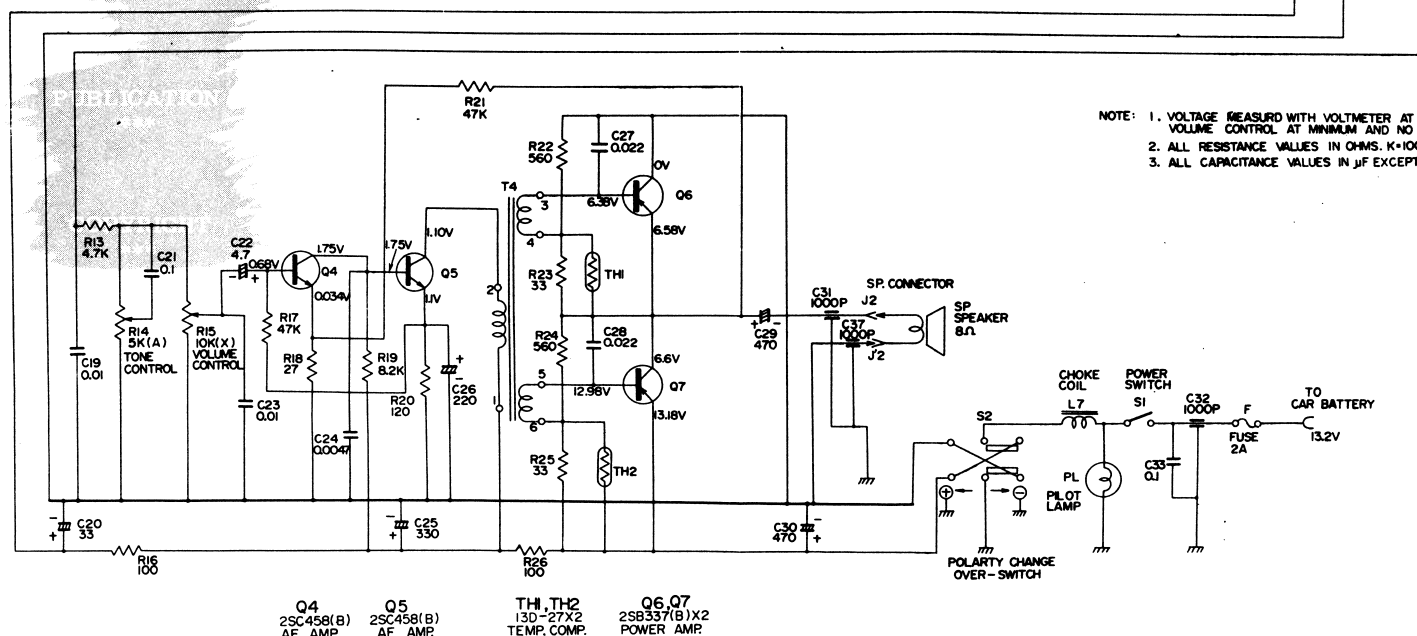
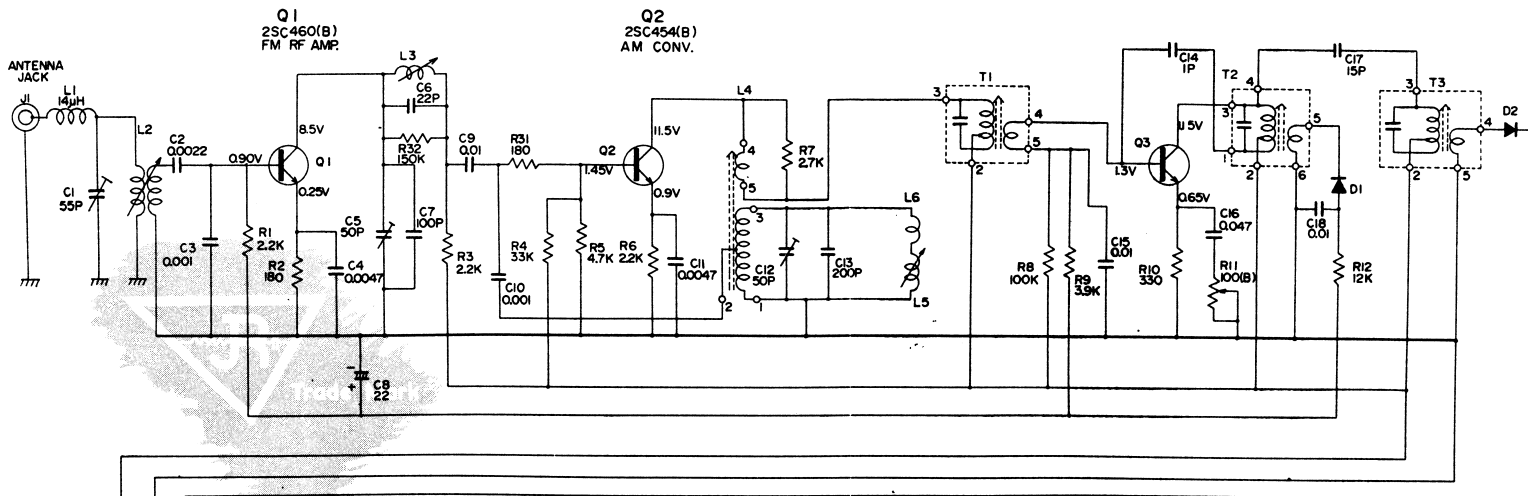
D2 1N34A.....Det.
 THERMISTORS
 TH1 13D27 } Temperature compensator
 TH2 13D27 }
 POWER OUTPUT.....3.7W
 SPEAKER.....4 $\frac{1}{2}$ " FM, 8 ohm
 POWER SUPPLYDC 12V, Negative and positive
 grounded battery
 CURRENT CONSUMPTION 125mA (with no signal)
 ANTENNA Telescopic antenna for car use
 DIMENSIONS 3 $\frac{1}{2}$ "(H) \times 6 $\frac{1}{4}$ "(W) \times 4 $\frac{1}{4}$ "(D)
 (8 \times 16 \times 12cm)
 WEIGHT 2 lbs 4 oz (1 kg)

Hitachi TM-725 E

H63



Q3 2SC454(B) AF IF AMP
 D1 1N34A AGC
 D2 1N34A DET.



NOTE: 1. VOLTAGE MEASRD WITH VOLTMETER AT 12V DC @ SIDE EARTH BASE
 VOLUME CONTROL AT MINIMUM AND NO SIGNAL.
 2. ALL RESISTANCE VALUES IN OHMS, K=1000.
 3. ALL CAPACITANCE VALUES IN μ F EXCEPT "P" NOTED. P= μ pF=PF.

Q4 2SC458(B) AF AMP.
 Q5 2SC458(B) AF AMP.
 TH1, TH2 13D-27X2 TEMP. COMP.
 Q6, Q7 2SB337(B)X2 POWER AMP.

