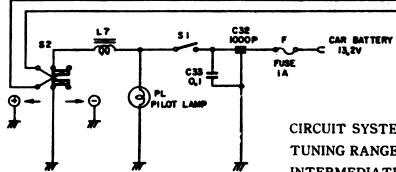
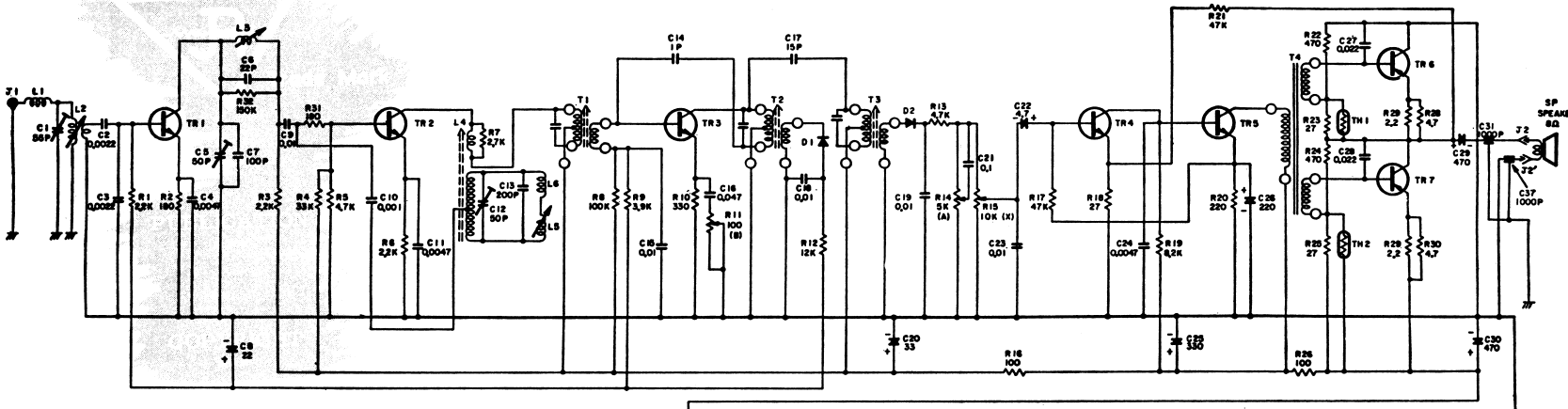


TR 1 2SC460(B) TR 2 2SC454(B) TR 3 2SC454(B) D 1 IN34A D 2 IN34A TR 4 2SC458(B) TR 5 2SC458(B) TH 1,2 13D27X2 TR 6,7 2SB370(B)PX2



TR 1	B	0.90v	TR 2	B	1.45	TR 3	B	1.3	TR 4	B	0.68
	E	0.25		E	0.9		E	0.65		E	0.034
	C	8.5		C	11.5		C	11.5		C	1.75
TR 5	B	1.75	TR 6	B	6.38	TR 7	B	12.98			
	E	1.1		E	6.58		E	13.18			
	C	11.0		C	0		C	6.6			

SPECIFICATIONS

- CIRCUIT SYSTEM 7-transistor superheterodyne
- TUNING RANGE 530 - 1,605 KHz
- INTERMEDIATE FREQUENCY 455 KHz
- TRANSISTORS
 - 2SC460 RF. Amp.
 - 2SC454 Frequency Converter
 - 2SC454 IF. Amp.
 - 2SC458 AF. Amp.
 - 2SC458 AF. Amp.
 - 2SB370 × 2 Push-pull power Amp.

DIODES

- IN34A AGC
- IN34A Detector

THERMISTORS

- 13D27 × 2 Temperature Compensator

- POWER OUTPUT 3.7W
- SPEAKER 4 $\frac{1}{2}$ " PM, 8 Ω
- POWER SUPPLY DC 12V, Negative and positive grounded battery
- CURRENT CONSUMPTION 125mA (with no signal)
- ANTENNA Telescopic antenna for car use
- DIMENSIONS 3 $\frac{1}{2}$ "(H) × 6 $\frac{1}{2}$ "(W) × 4 $\frac{1}{4}$ " (D) (8 × 16 × 12cm)
- WEIGHT 2.2 lbs (1 Kg)

