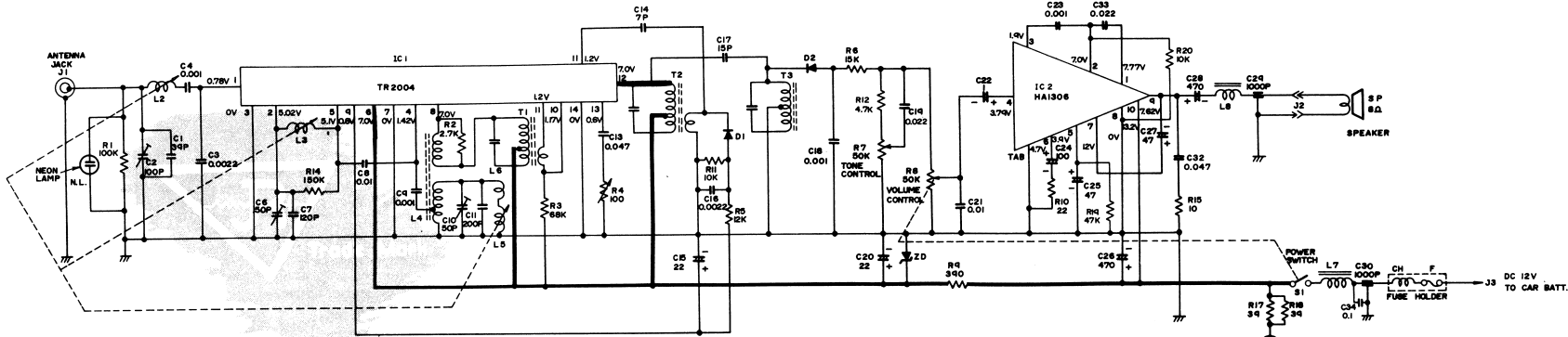
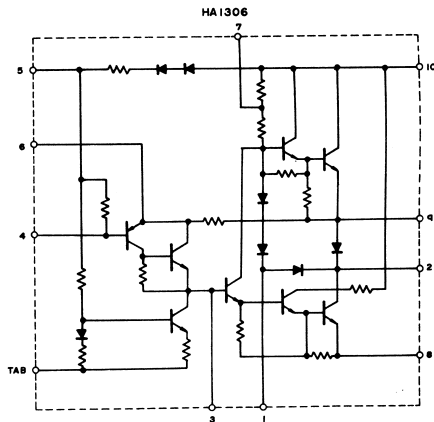
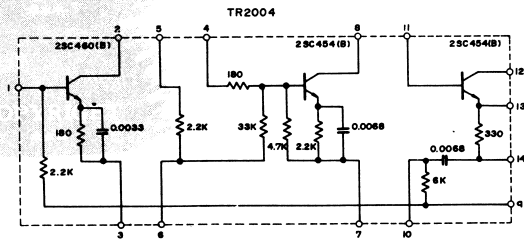


| | | | | |
|---|-------------------|-----------------------|----------------------------------|-------------------------------------|
| IC1 TR 2004 RF AMP. CONV. IF AMP. | D1 1N60 AGC | D2 1N60 AM DET. | ZD HZ-7 VOLTAGE STABILIZER | IC2 HA1306 AF AMP. POWER AMP. |
|---|-------------------|-----------------------|----------------------------------|-------------------------------------|

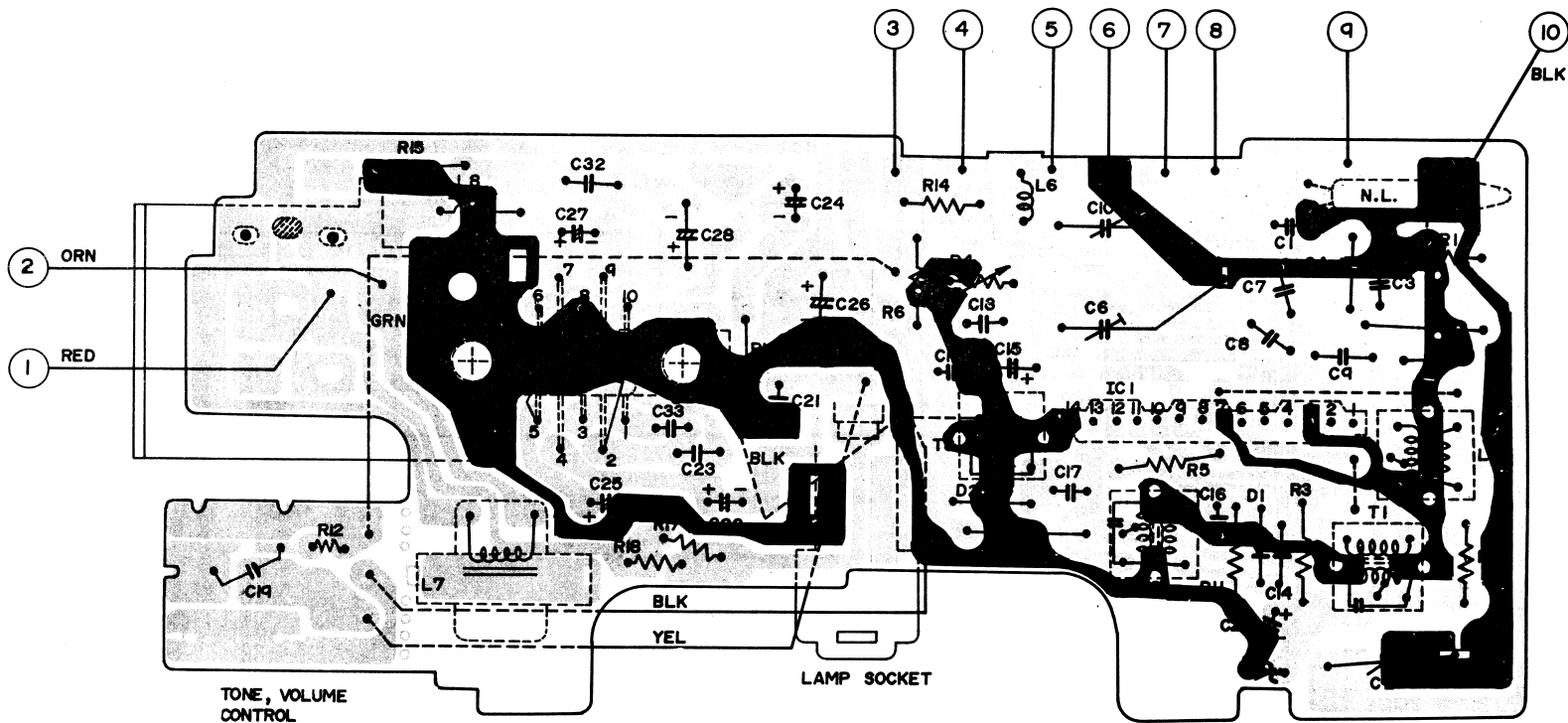


NOTE: 1. VOLTAGE MEASURED WITH VOLTMETER AT 12V DC, BASE OF ⊕ SIDE POWER SUPPLY, VOLUME CONTROL AT MINIMUM AND NO SIGNAL.
 2. ALL RESISTANCE VALUES IN OHMS. K=1000
 3. ALL CAPACITANCE VALUES IN μF EXCEPT *P* NOTED.
 P = μμF = PF



SPECIFICATIONS

| | |
|-----------------------------|---|
| CIRCUIT SYSTEM..... | 2-IC superheterodyne |
| TUNING RANGE..... | 530-1,605 KHz |
| INTERMEDIATE FREQUENCY..... | 455 KHz |
| IC | |
| IC1 TR 2004..... | RF Amp. Conv. & IF Amp. |
| IC2 HA 1306..... | AF Amp. & Power Amp. |
| DIODES | |
| D1 1N60..... | AGC |
| D2 1N60..... | AM Det. |
| ZD HZ-7..... | Voltage stabilizer |
| LOUDSPEAKER..... | Impedance 4 ohm |
| AUDIO OUTPUT..... | 4.5 W (max.) |
| POWER SUPPLY..... | 12 V, ⊕ earth |
| CURRENT CONSUMPTION..... | 750 mA (max.) |
| SENSITIVITY..... | 10 dB (max.) |
| | 26 dB (practical) |
| DIMENSIONS..... | 1 13/32" (H) × 6 15/16" (W) × 3 5/32" (D) |
| | (5 × 16 × 8 cm) |
| WEIGHT..... | 2 lbs. (900 gr) |



IC2

| | | | |
|---|-------|----|-------|
| 1 | 7.77V | 6 | 4.7V |
| 2 | 7.0V | 7 | 12V |
| 3 | 1.9V | 8 | 0V |
| 4 | 3.79V | 9 | 7.62V |
| 5 | 3.9V | 10 | 13.2V |

IC1

| | | | | | |
|---|-------|----|-------|----|------|
| 1 | 0.78V | 6 | 7.0V | 11 | 1.2V |
| 2 | 5.02V | 7 | 0V | 12 | 7.0V |
| 3 | 0V | 8 | 7.0V | 13 | 0.6V |
| 4 | 1.42V | 9 | 0.8V | 14 | 0V |
| 5 | 5.1V | 10 | 1.77V | | |

