



ALL IC CAR RADIO

MODEL TM-401RB/BB/DB

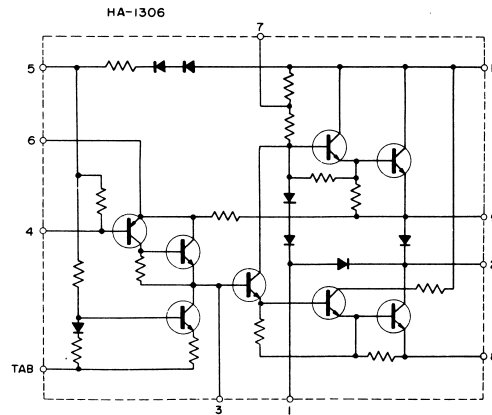
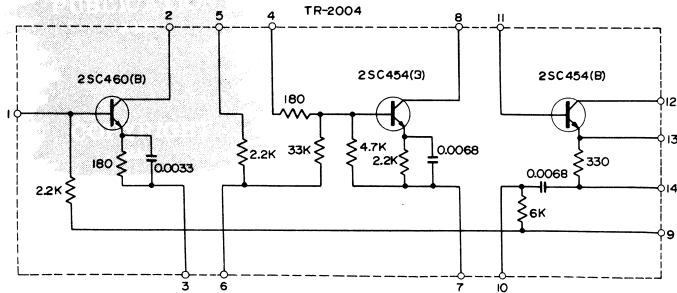
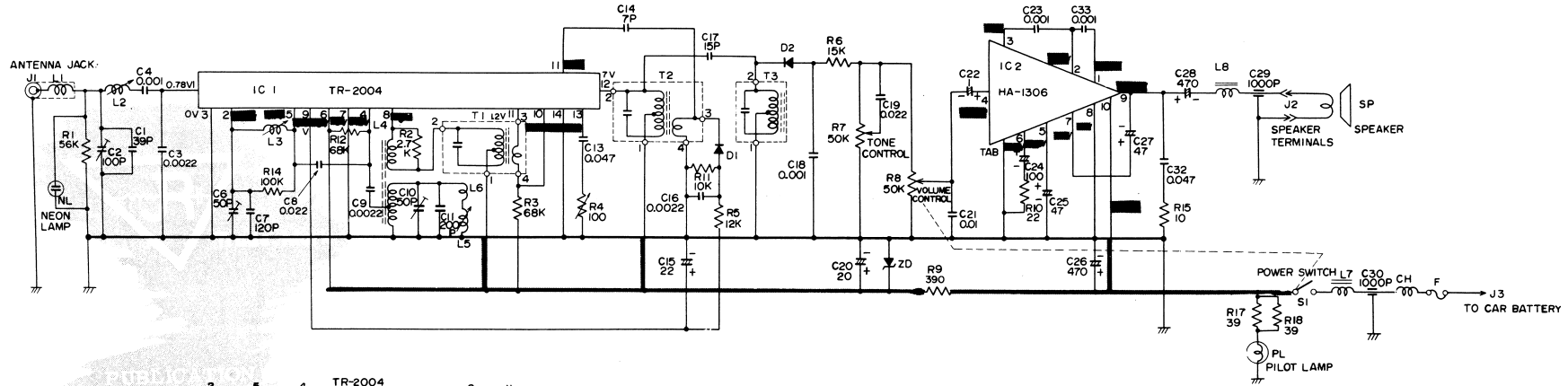
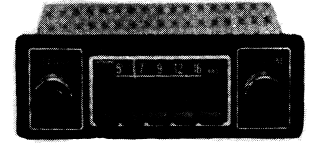
IC 1
TR-2004
FM RF AMP.
AM CONV.
AM IF AMP.

D1
IN34A
AGC

D2
IN34A
AM DET.

ZD
HZ-7
VOLT. STAB.

IC 2
HA-1306
AF AMP.
POWER AMP.



SPECIFICATIONS

CIRCUIT SYSTEM2-IC superheterodyne
TUNING RANGE530~1,605KHz
INTERMEDIATE FREQUENCY455KHz
IC	
IC1 TR2004RF Amp, Conv. & IF Amp.
IC2 HA1306AF Amp. & Power Amp.
DIODES	
D1 IN34AAGC
D2 IN34ADet.
ZD HZ-7Voltage stabilizer
LOUDSPEAKERImpedance 8 ohm
AUDIO OUTPUT4.5W (max.)
POWER SUPPLY12V, ⊕ earth
CURRENT CONSUMPTION750mA (max.)
ANTENNATelescopic antenna for car use
SENSITIVITY10dB (max.)
26dB (practical)
DIMENSIONS113/32" (H) × 65/16" (W) × 35/16" (D)
(5 × 16 × 8cm)
WEIGHT11bs. 16oz. (900g)

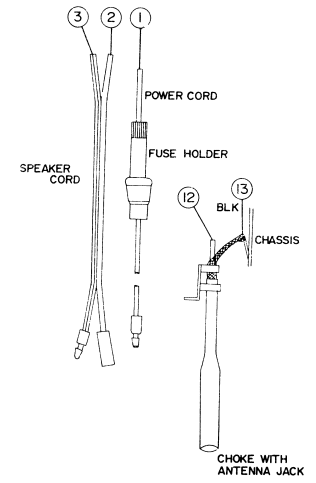
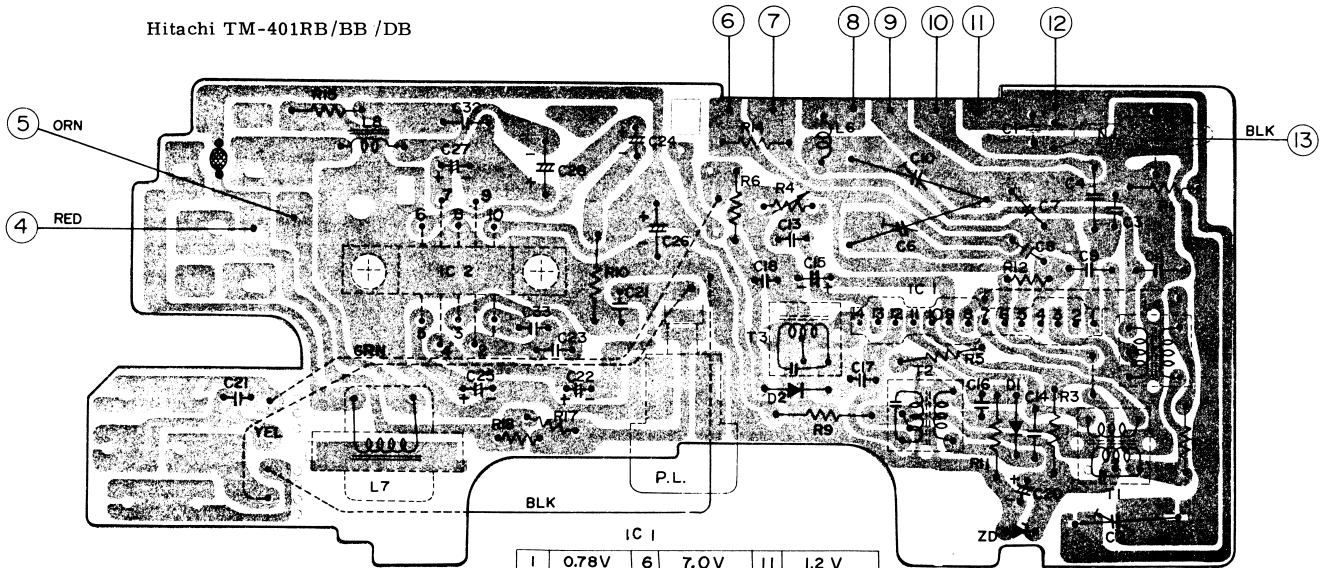
NOTE 1 VOLTAGE MEASURED WITH VOLTMETER AT 13.2V DC, BASE OF ⊕ SIDE POWER SUPPLY, VOLUME CONTROL AT MINIMUM AND NO SIGNAL.

2 ALL RESISTANCE VALUES IN OHMS. K = 1,000

3 ALL CAPACITANCE VALUES IN μF EXCEPT P NOTED P = μμF = PF

CIRCUIT BOARD DIAGRAM

Hitachi TM-401RB/BB/DB



IC 2

1	7.77 V	6	4.7 V
2	7.0 V	7	12 V
3	1.9 V	8	0 V
4	3.79 V	9	7.62 V
5	3.9 V	10	13.2 V

IC 1

1	0.78 V	6	7.0 V	11	1.2 V
2	5.02 V	7	0 V	12	7.0 V
3	0 V	8	7.0 V	13	0.6 V
4	1.42 V	9	0.8 V	14	0 V
5	6.1 V	10	1.17 V		

