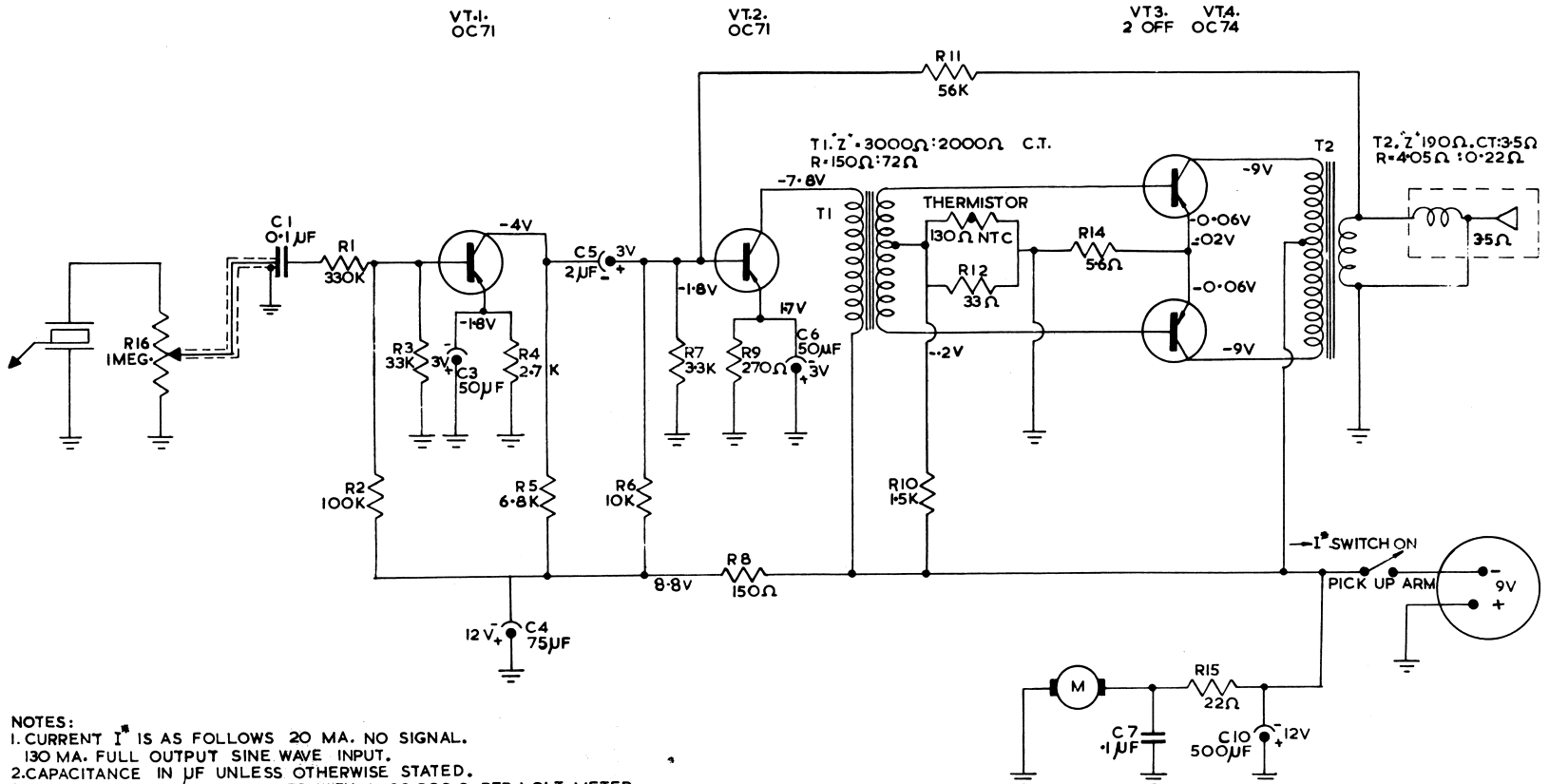


GENERAL ELECTRIC  
AUSTRALIA

MODEL TGR I  
PORTABLE RECORD PLAYER  
CIRCUIT

C		1		3		4		5		6		7		10
R	16		1 2 3		4 5		6 7		8 9		10 11 12		14	15
L														
T										1				2



## NOTES:

- CURRENT  $I^*$  IS AS FOLLOWS 20 MA. NO SIGNAL.  
130 MA. FULL OUTPUT SINE WAVE INPUT.
- CAPACITANCE IN  $\mu\text{F}$  UNLESS OTHERWISE STATED.
- ALL VOLTAGES MEASURED WITH A 20,000 $\Omega$  PER VOLT METER AND MINIMUM VOLUME.
- THE TOLERANCE ON STATED VOLTAGES IS  $\pm 20\%$ .  
THE MANUFACTURER RESERVES THE RIGHT TO CHANGE COMPONENTS AND CIRCUIT ARRANGEMENTS WITHOUT NOTICE.

USE 9 VOLT BATTERY TYPE 286