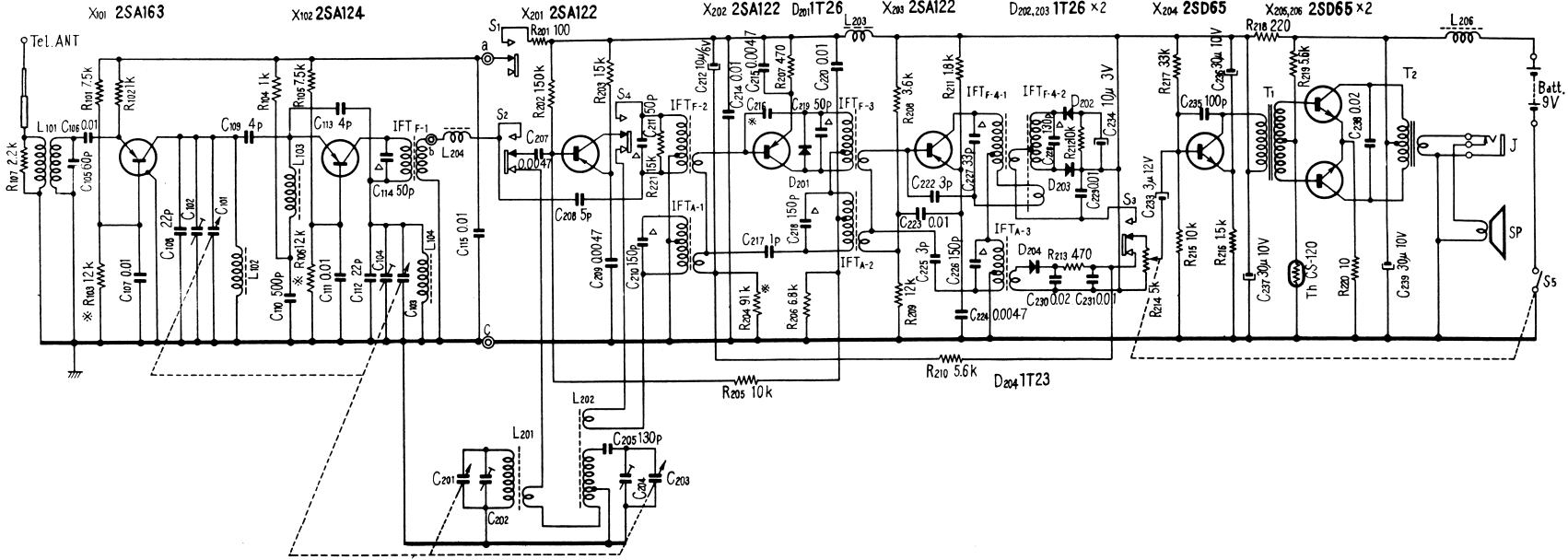


Schematic Diagram



Voltage and Current Distribution Chart at Zero Signal

