

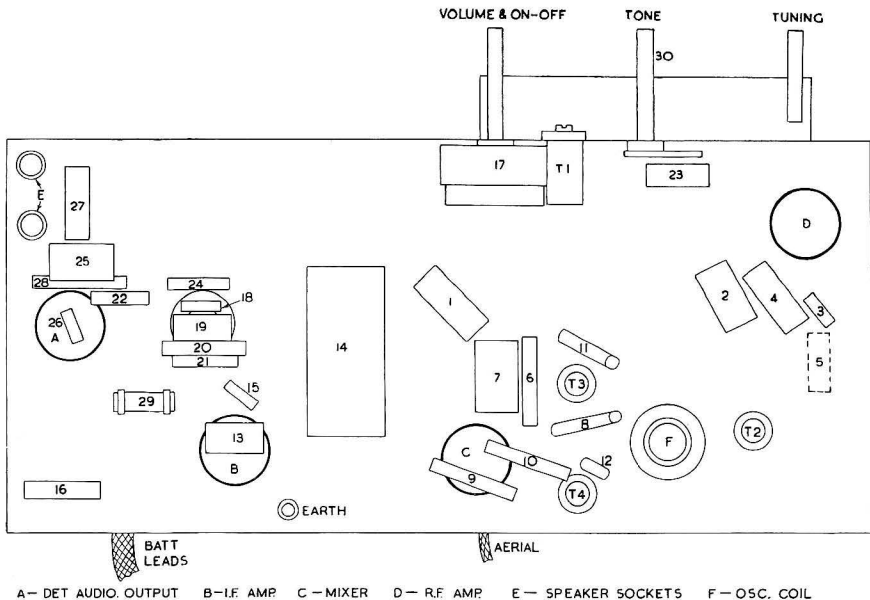
SERVICE DATA

for

MODEL 775 BATTERY-OPERATED SUPERHETERODYNE BROADCAST RECEPTION

TABLE OF VOLTAGES AND CURRENTS

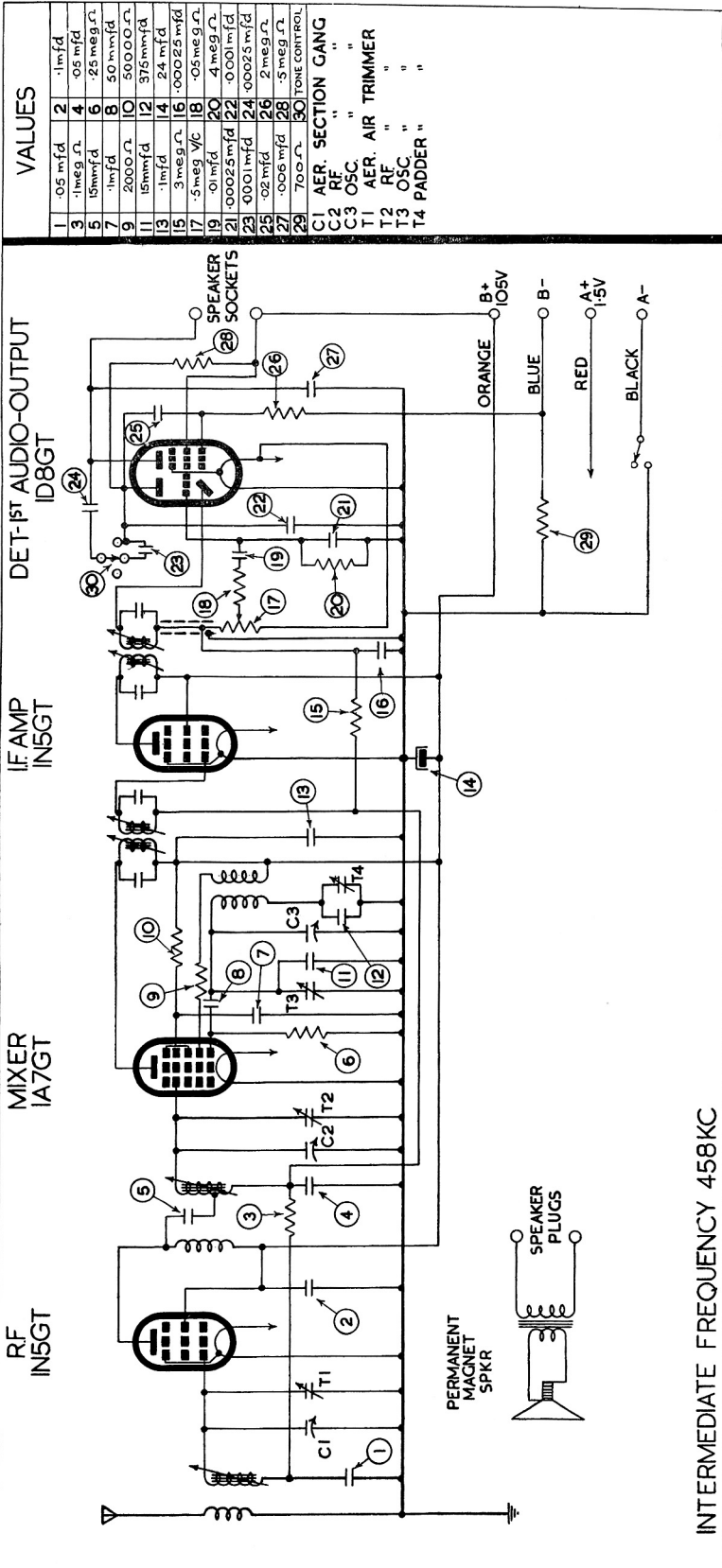
VALVE	FUNCTION OF VALVE	EF	EP	IP	E _{sg}	E _g	E _{ag}	I _{ag}
1N5G	R.F. AMP	1.5	105	1.25	105	—	—	—
1A7G	MIXER	1.5	105	0.8	105	—	100	1.5
1N5G	I.F. AMP	1.5	105	1.25	105	—	—	—
1D8GT	DET. AVC AUDIO OUTPUT	—	30	0.15	—	—	—	—
		1.5	100	5.5	105	9.0	—	—



M 775

LOCATION OF COMPONENTS:

The key on the circuit diagram is numbered to correspond to the numbers on sub-chassis view.



INTERMEDIATE FREQUENCY 458KC

DR'N BY M. Whitcomb
 CH'D BY L. Medina
 AP'D BY E. M. Fanker

MODEL 775 BROADCAST
 TUNING RANGE 525KC - 1600KC
 SUPERHETERODYNE FOR BATTERY OPERATION

DRAWING No.
 639