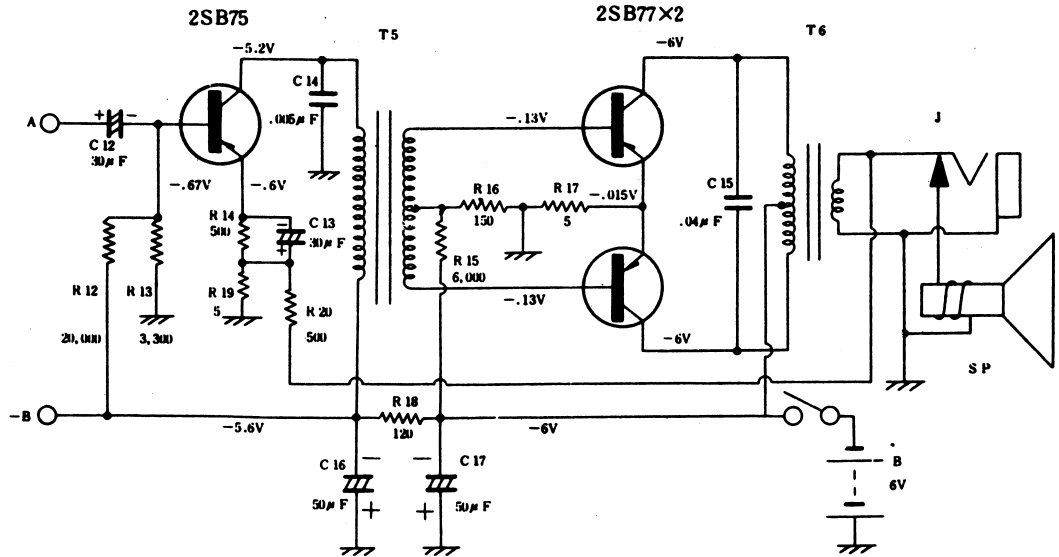
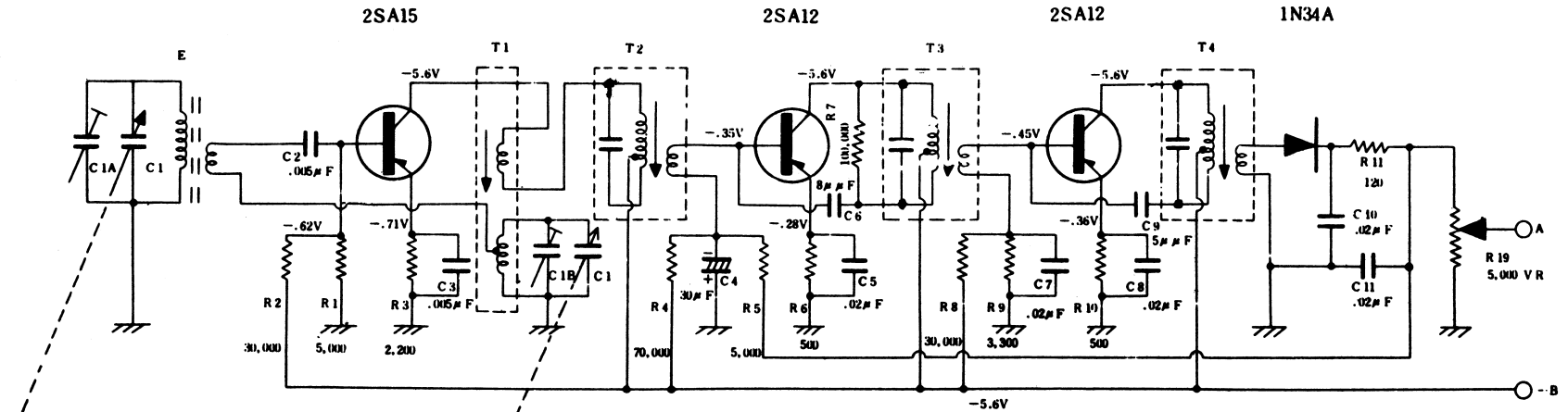


SCHEMATIC FOR PHILCO MODEL T-6J22



NOTES: DC Voltage Read Using
20,000 Ohms/Volt Voltmeter
at 1 Volt or 10 Volt Range.

ALL RESISTANCE VALUES ARE OHMS