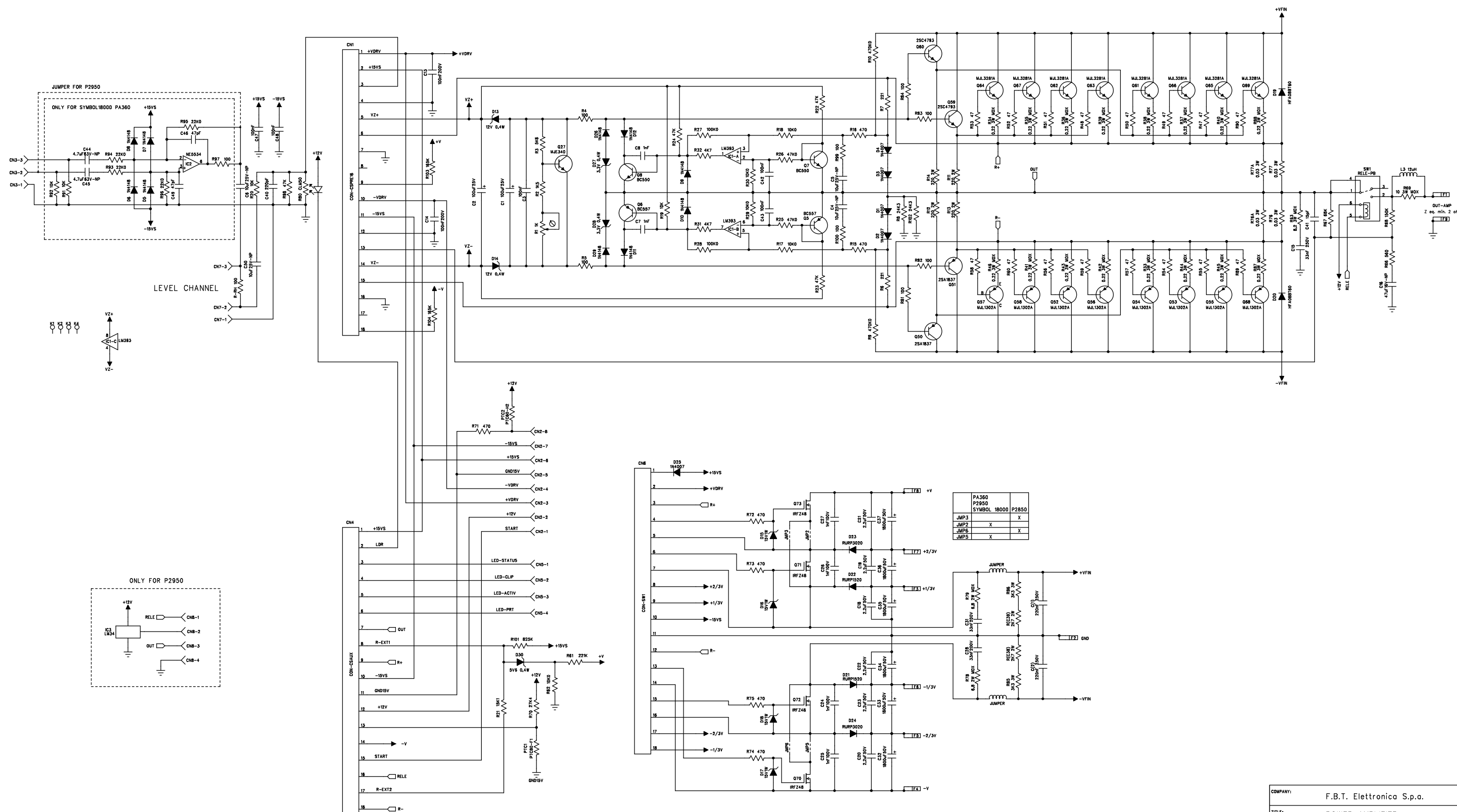


COMPANY:	F.B.T. ELETTRONICA S.p.a.
MAIN CIRCUITS DIAGRAM SYMBOL 18000	
DATED: 03/10/03	SHEET: 1 OF 1



COMPANY: F.B.T. Elettronica S.p.a.
 TITLE: POWER AMPLIFIER
 SYMBOL 18000 PA360 P2950

DRAWN: DATED: 03/05/01
 CHECKED: DATED:
 QUALITY CONTROL: DATED:
 RELEASED: DATED:

CODE: P2951.PCB
 SIZE:
 DRAWING NO: P2951.SCH
 REV:

SCALE: SHEET: 1 OF 1

6

5

4

3

2

1

D

C

B

A

D

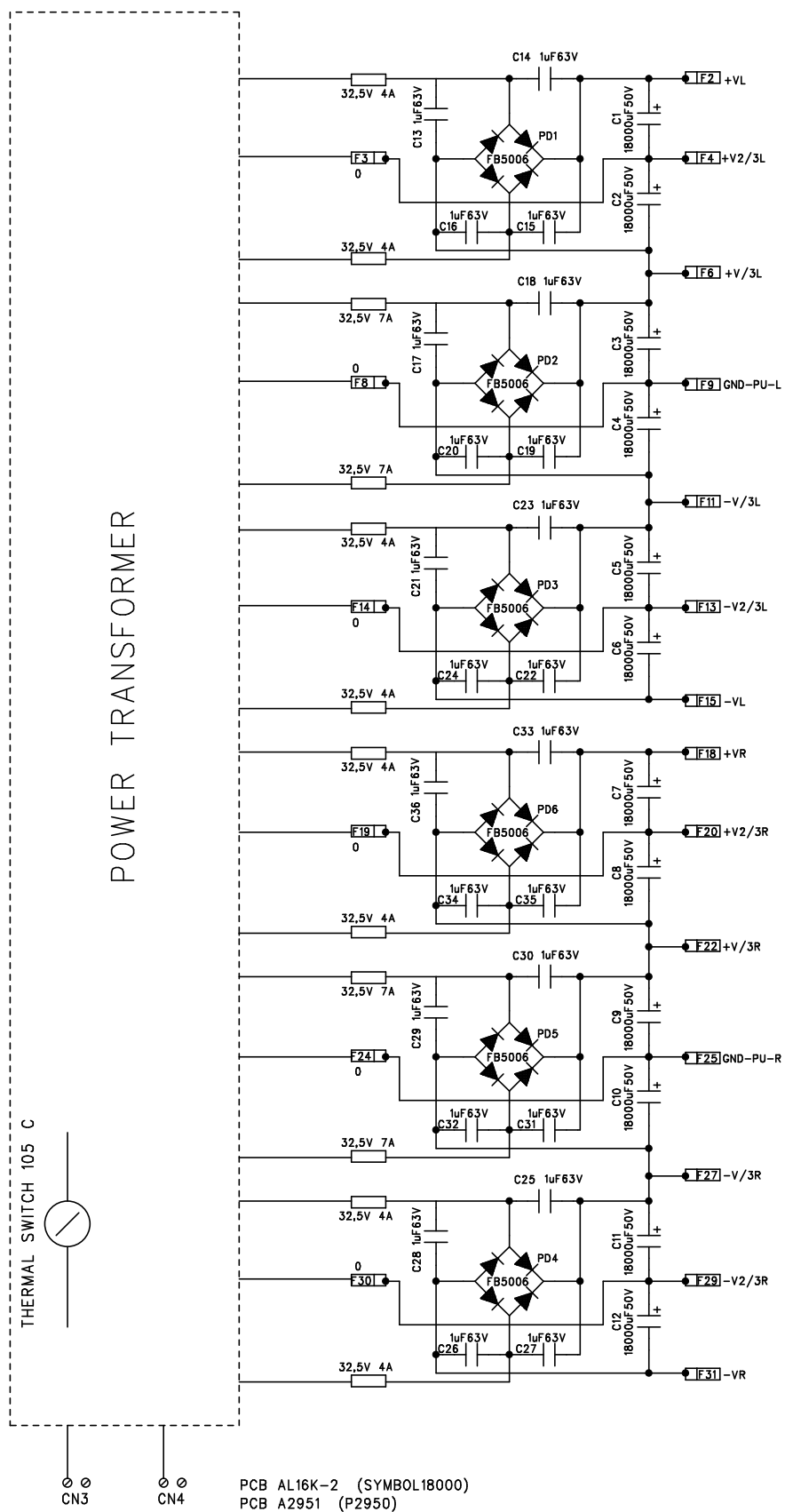
C

B

A

REVISION RECORD			
LTR	ECO NO:	APPROVED:	DATE:

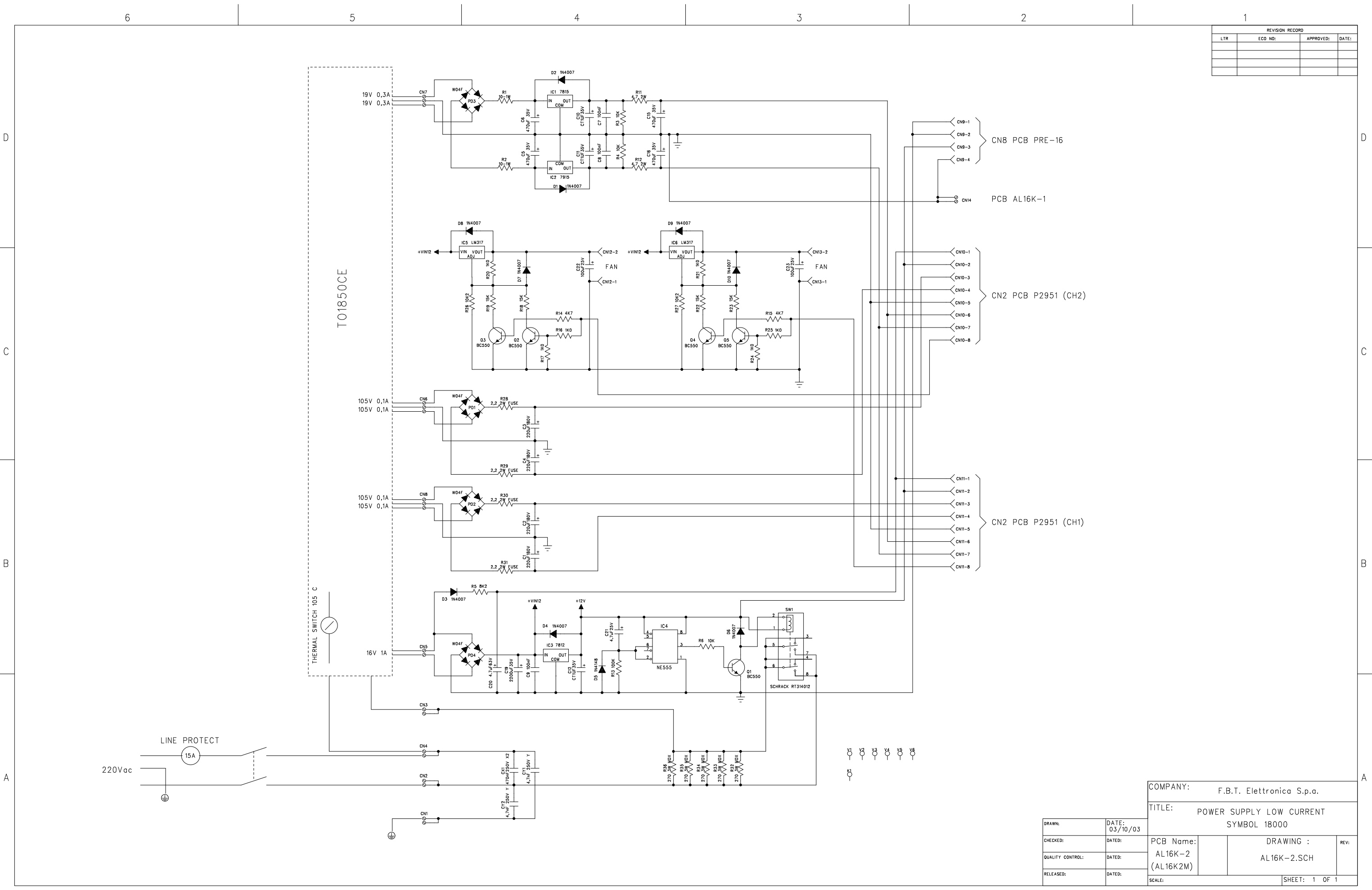
POWER TRANSFORMER	
T01850CE	SYMBOL18000 230Vac
T01850CE	P2950/PA360 230Vac
T01850CE/1	P2950/PA360 117Vac



COMPANY:		F.B.T. Elettronica S.p.a.	
TITLE:		POWER SUPPLY HIGH CURRENT SYMBOL18000 / P2950 / PA360	
CHECKED:	DATE:	PCB Name:	DRAWING:
	03/10/03	AL16K-1	AL16K-1.SCH
QUALITY CONTROL:	DATED:		
RELEASED:	DATED:		
SCALE:		SHEET: 1 OF 1	

	DATE:
	03/10/03
CHECKED:	DATED:
QUALITY CONTROL:	DATED:
RELEASED:	DATED:

REVISION RECORD			
LTR	ECO NO:	APPROVED:	DATE:



COMPANY:		F.B.T. Elettronica S.p.a.	
TITLE:		POWER SUPPLY LOW CURRENT SYMBOL 18000	
PCB Name:	AL16K-2 (AL16K2M)	DRAWING :	AL16K-2.SCH
REV:			
SCALE:		SHEET:	1 OF 1

DRAWN:	DATE:
CHECKED:	DATED:
QUALITY CONTROL:	DATED:
RELEASED:	DATED:

6

5

4

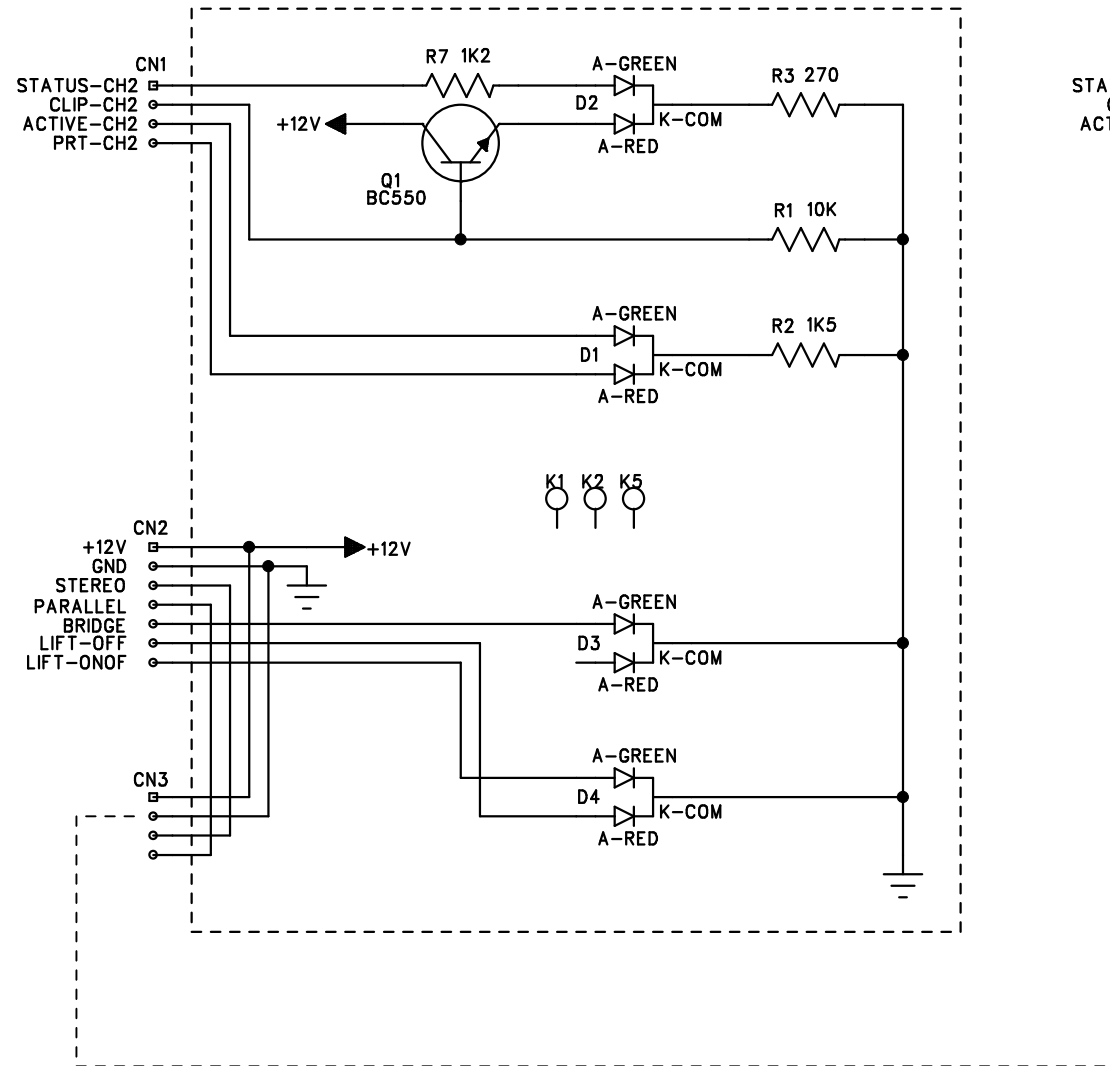
3

2

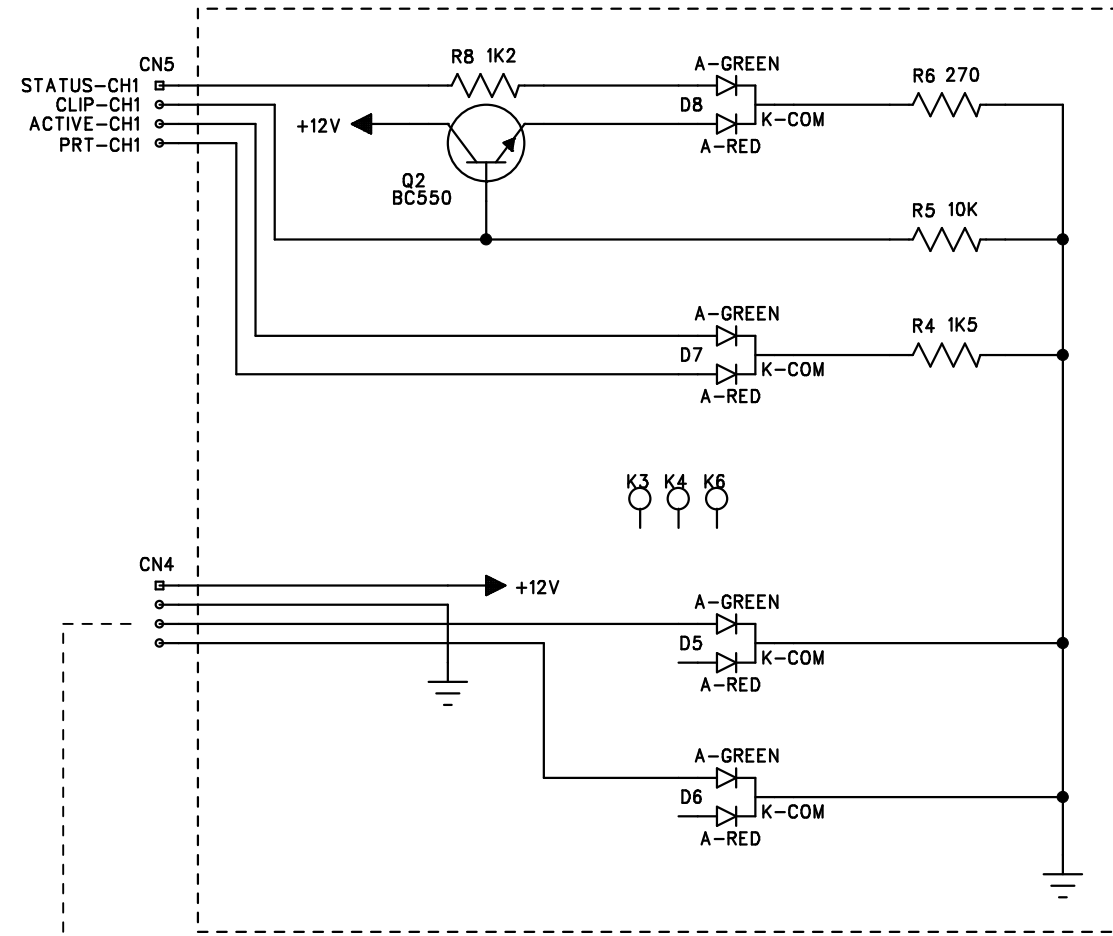
1

REVISION RECORD			
LTR	ECO NO:	APPROVED:	DATE:

PCB 14622-00



PCB 14623-00

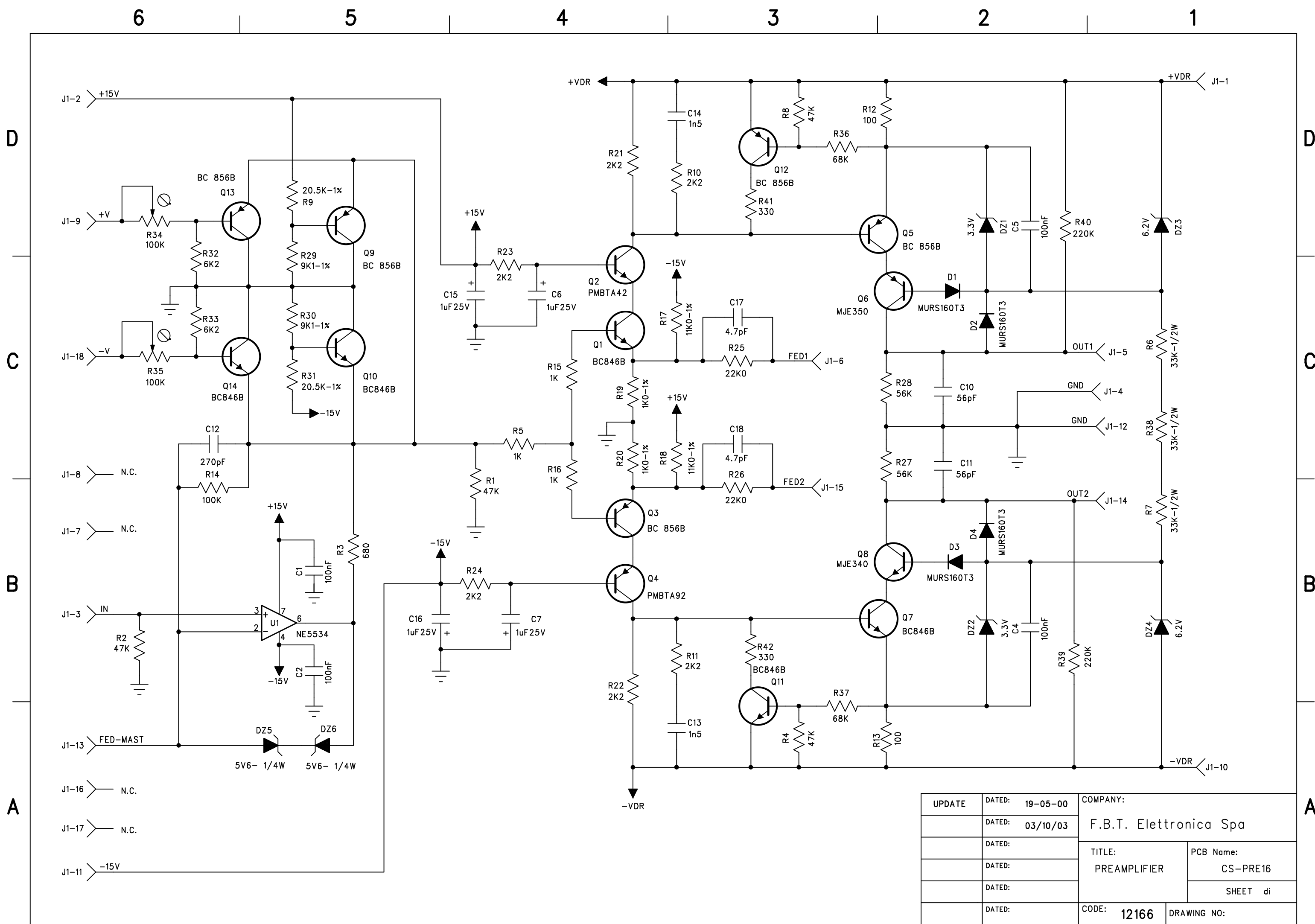


COMPANY: F.B.T. Elettronica S.p.a.

TITLE: MONITOR BOARD
SYMBOL 18000 SYMBOL 12000

DRAWN:	DATED: 03/10/03
CHECKED:	DATED:
QUALITY CONTROL:	DATED:
RELEASED:	DATED:

PCB NAME	SIZE:	DRAWING	REV:
14622-00		14622-23-00	
14623-00			
SCALE:		SHEET: 1 OF 1	



UPDATE	DATED: 19-05-00	COMPANY:	
	DATED: 03/10/03	F.B.T. Elettronica Spa	
	DATED:	TITLE:	PCB Name:
	DATED:	PREAMPLIFIER	CS-PRE16
	DATED:	SHEET di	
	DATED:	CODE: 12166	DRAWING NO:

6

5

4

3

2

1

D

D

C

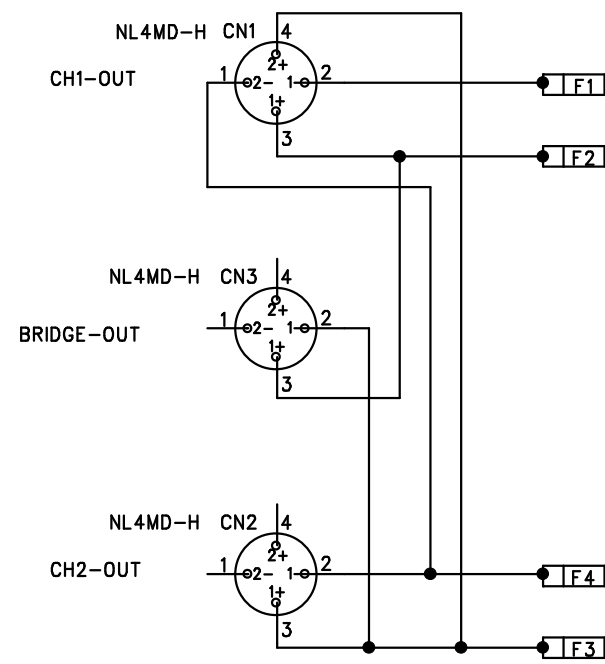
C

B

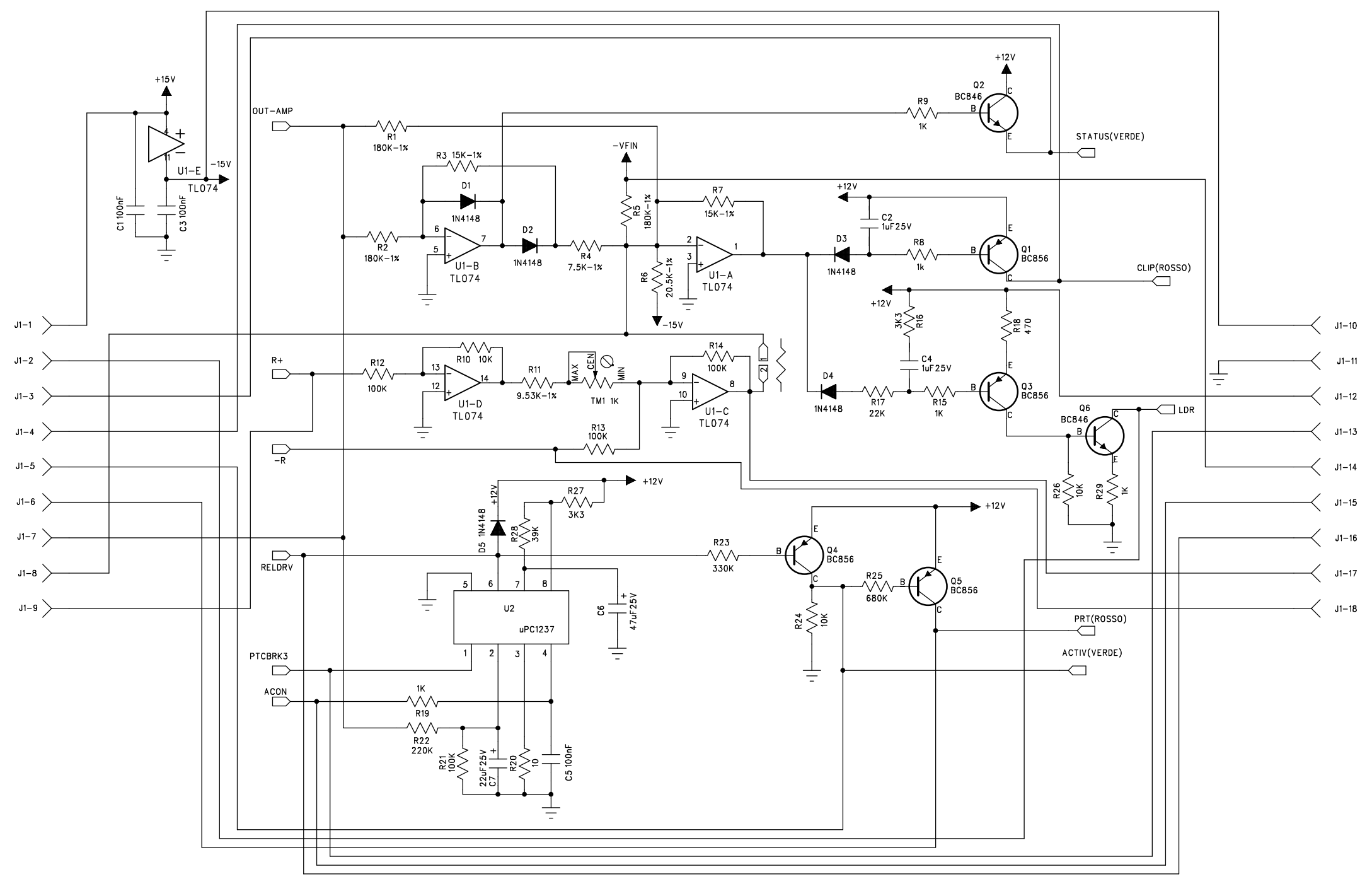
B

A

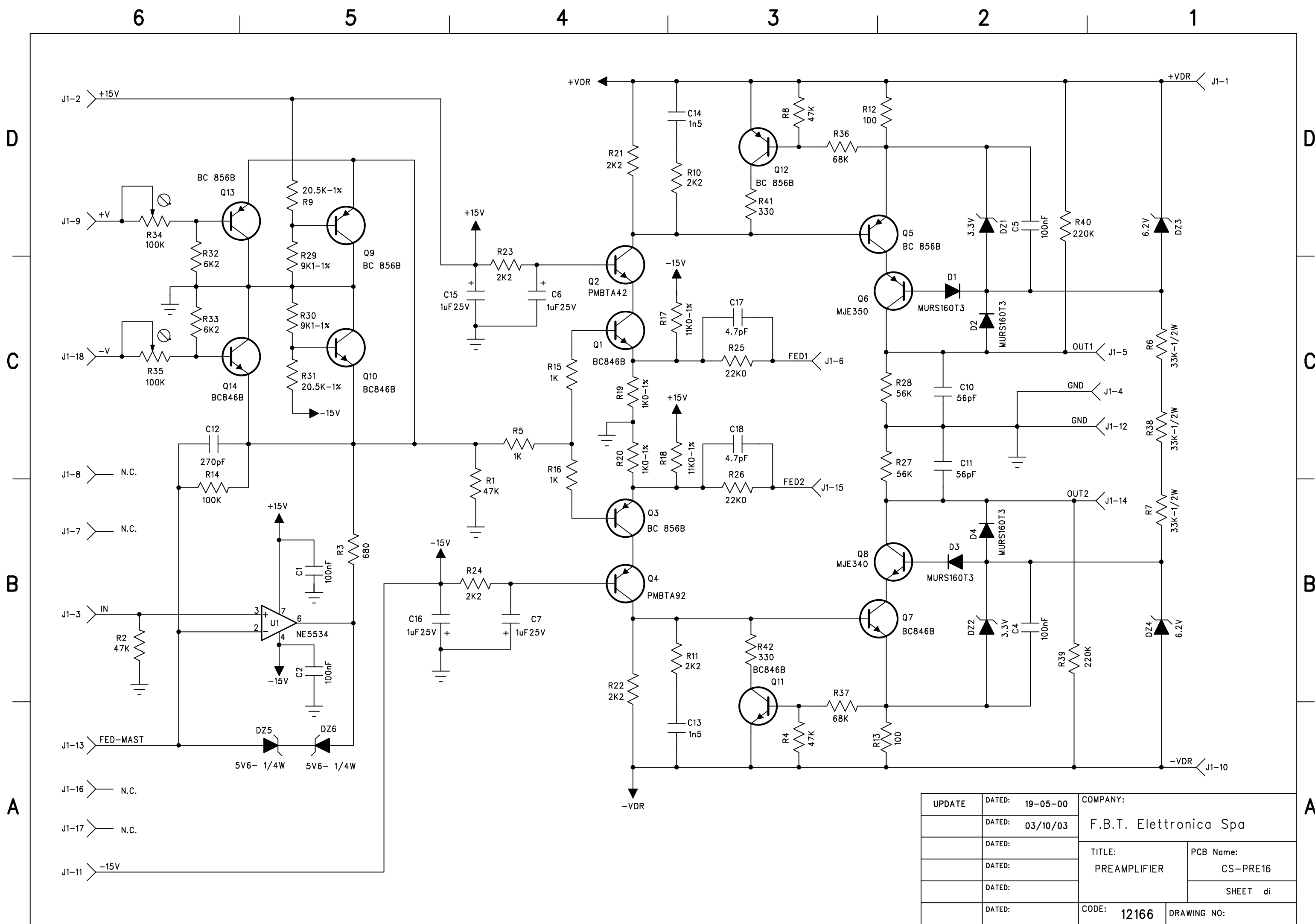
A



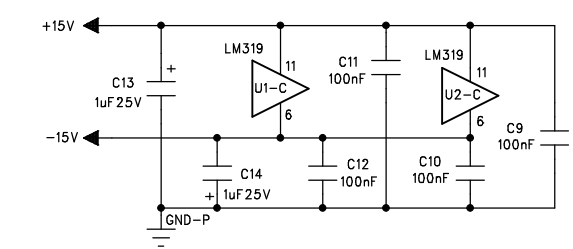
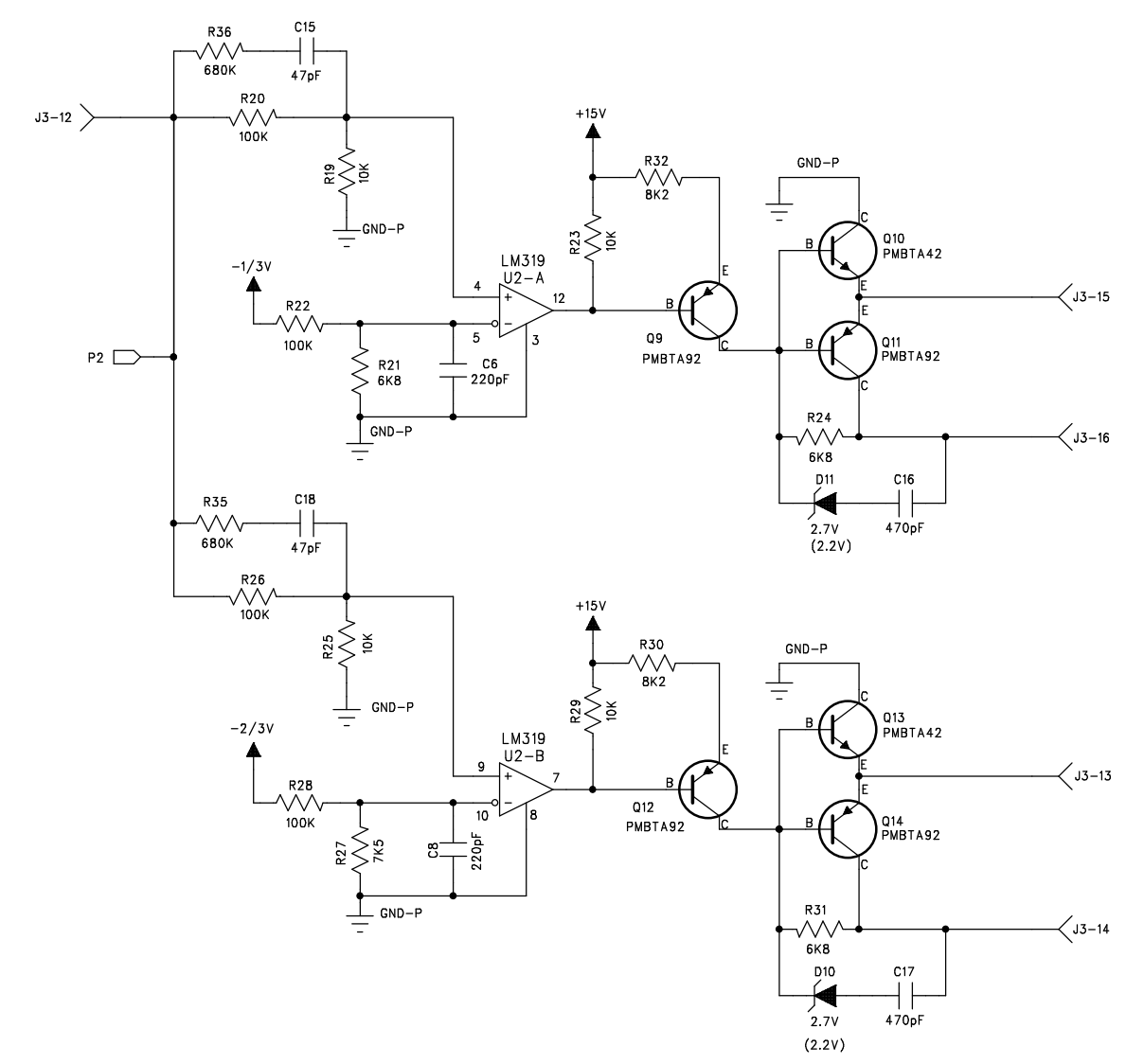
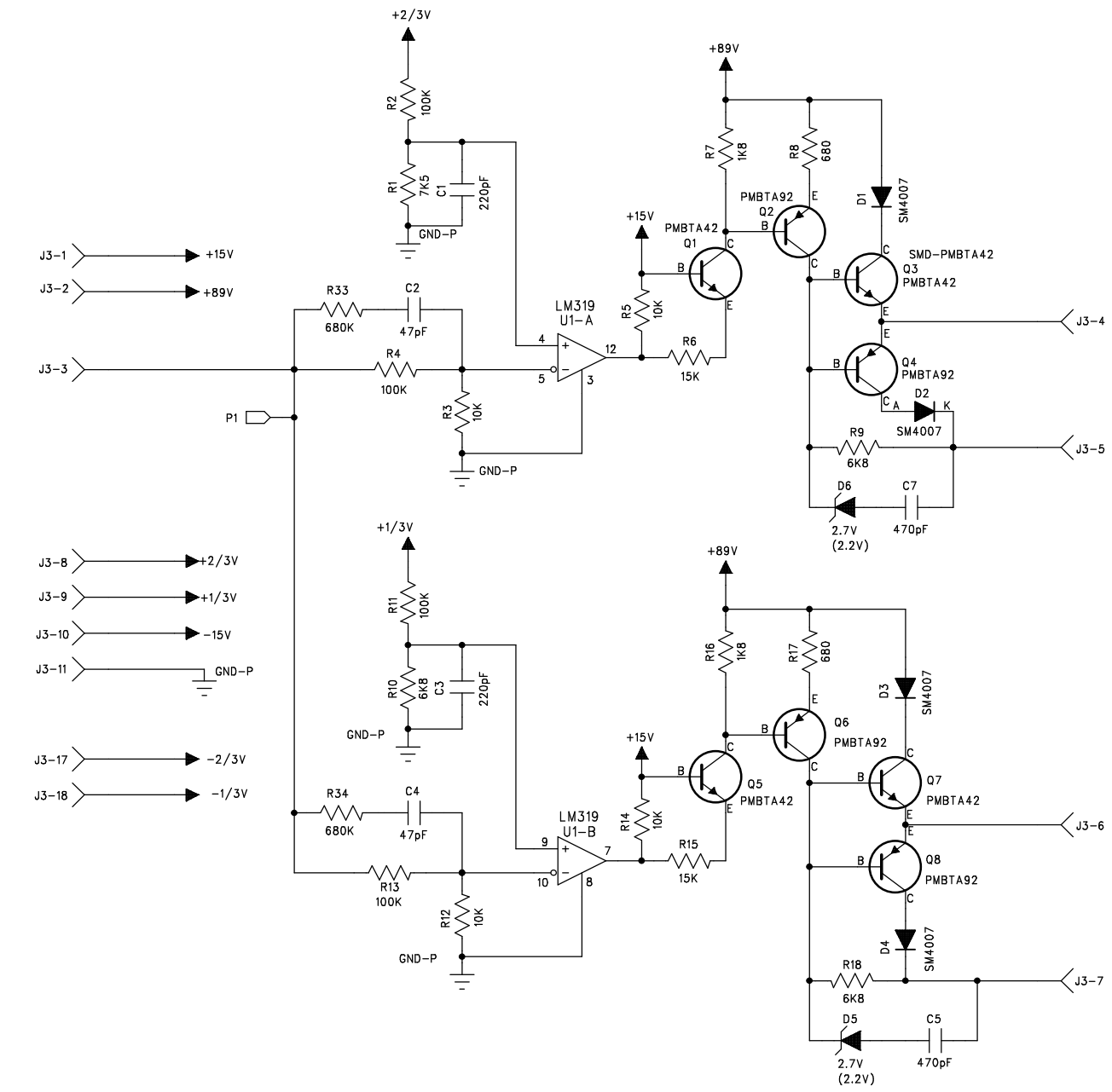
		COMPANY: F.B.T. Elettronica Spa	
		TITLE: OUTPUT BOARD SYMBOL18000 SYMBOL12000 P2950 P2850	PCB Name: OUT2950
			SHEET 1 OF 1
		DATE: 03/10/03	DRAWING: OUT2950.SCH



UPDATE	DATED: 23-05-00	COMPANY: F.B.T. Elettronica Spa	
	12-02-01	TITLE: AUX	PCB Name: SMD-AUX1
	03/10/03		
		CODE 12165	SHEET of



UPDATE	DATED: 19-05-00	COMPANY:	
	DATED: 03/10/03	F.B.T. Elettronica Spa	
	DATED:	TITLE:	PCB Name:
	DATED:	PREAMPLIFIER	CS-PRE16
	DATED:	SHEET di	
	DATED:	CODE: 12166	DRAWING NO:



UPDATE	DATED: 22-05-00	COMPANY: F.B.T. Elettronica Spa	
		TITLE: SWITCH CONTROL MODULE	PCB Name: SMD-SW2
		CODE: 12167	SHEET of

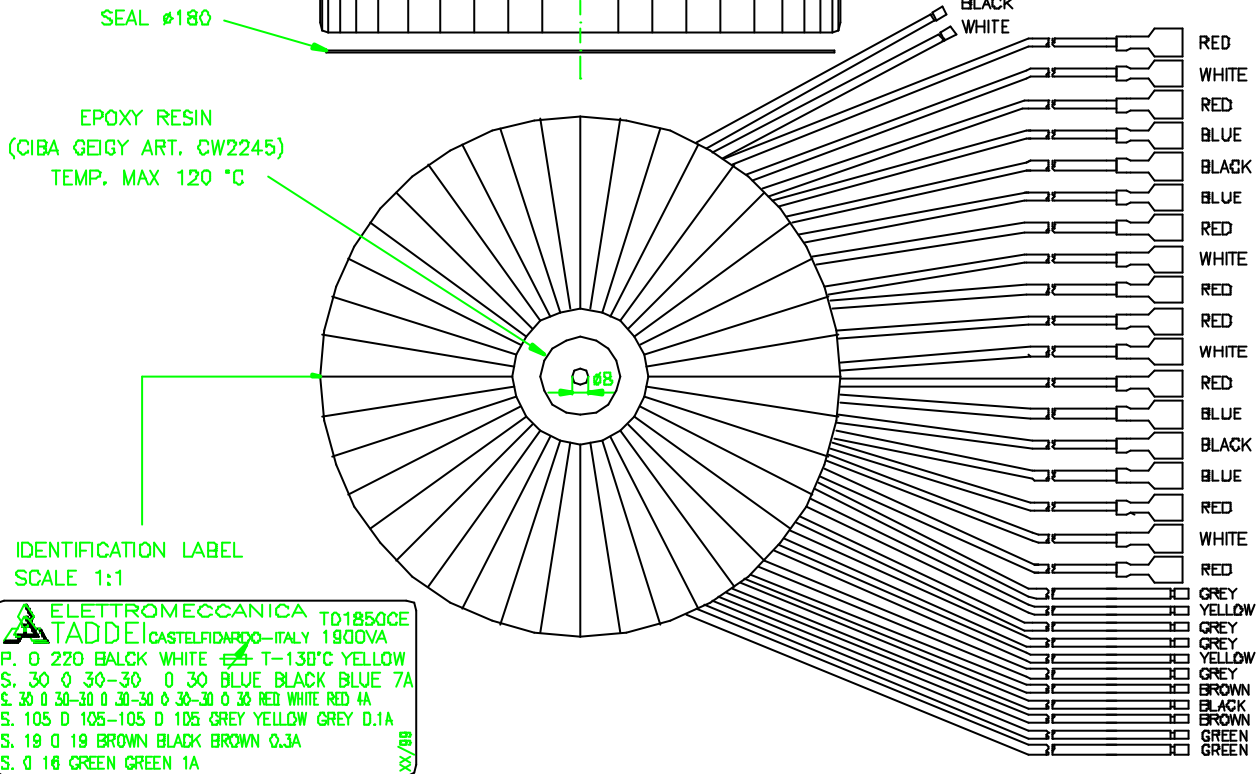
TRANSFORMER INFORMATION SHEET

Client: **FBT ELETTRONICA S.P.A.**

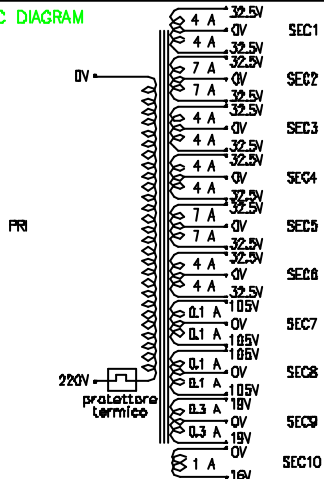
Model: **TO1850CE**

Description: **Toroidal Transformer 1900VA Our Code 438FBT0300**

MECHANICAL DESIGN
Scale: 1:2,5

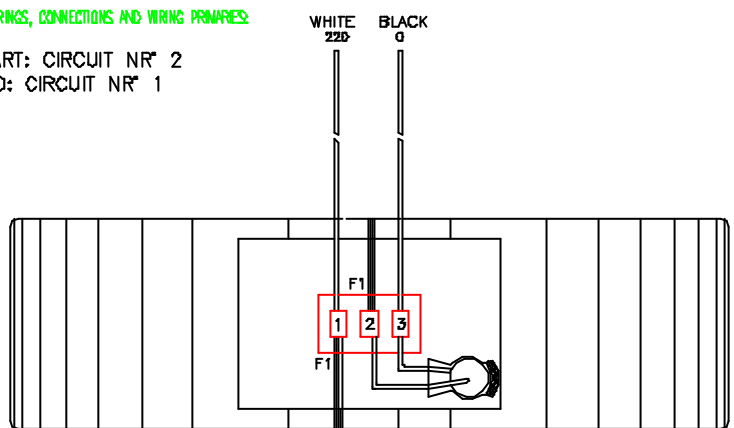


ELECTRIC DIAGRAM



SOLDERINGS, CONNECTIONS AND WIRING PRIMARIES:

START: CIRCUIT NR° 2
END: CIRCUIT NR° 1



Scale: 1:1.66

Change "C": *

Change "B": *

Change "A": FIRST EMISSION. ROSSANO TADDEI 08/09/00



ELETTROMECCANICA TADDEI
DI Sergio Taddei & C. S.p.A.

Via Inisa, 3/5 00222 CASTELFIDARDO (AN)
Tel. 071/78807 Fax 071/782531

www.elettromeccanicataddei.it
e-mail: info@elettromeccanicataddei.it

TITLE: TRANSFORMER OMOLOGATION

DESIGNER: Taddei Rossano

FILE: \OMOLOGAZIONI\F\FBT\TO1850CE.dwg

DATE: 08/09/00

REVISION: A

SHEET: 1/4

NOTES: *

*