

COMPANY:		F.B.T. Elettronica Spa	
TITLE: PCB INPUT	SYMBOL16000	PCB Name:	PRE-16
	SYMBOL12000		SHEET 1 OF 1
DATE: 02/05/01		DRAWING:	PRE-16.SCH

6

5

4

3

2

1

REVISION RECORD			
LTR	ECO NO:	APPROVED:	DATE:

D

D

C

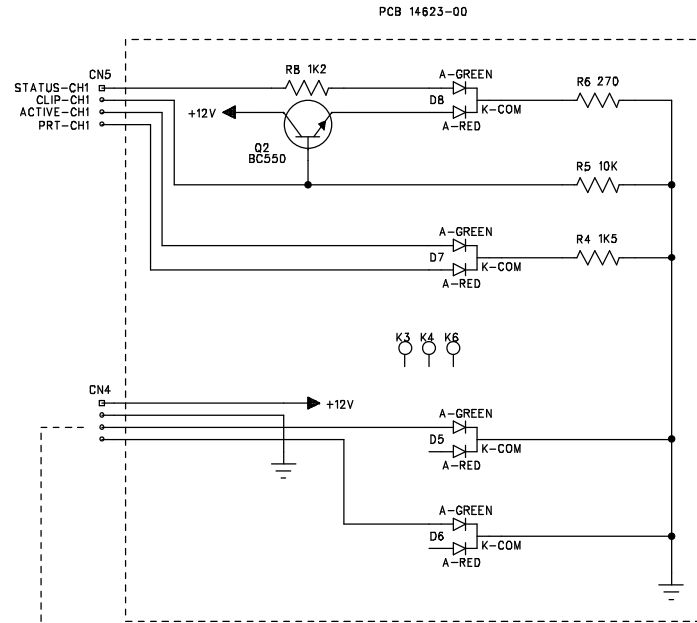
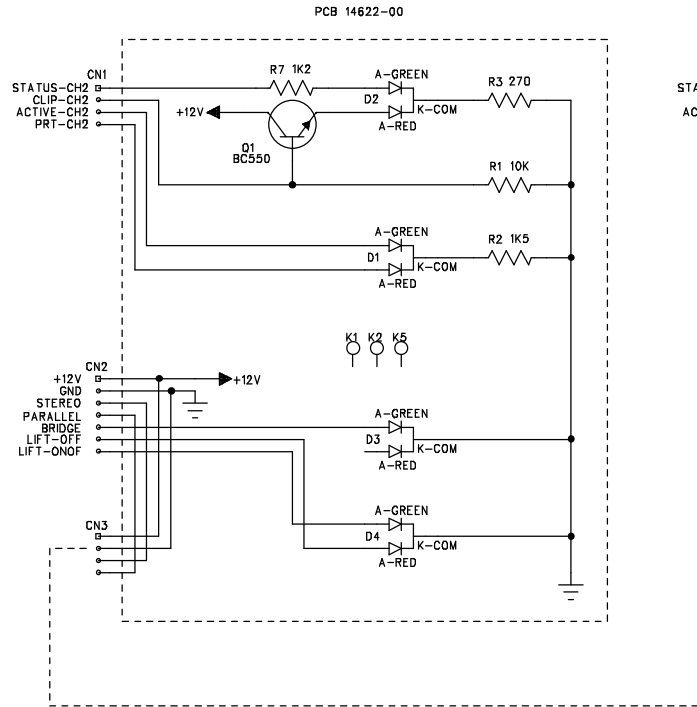
C

B

B

A

A



COMPANY:				F.B.T. Elettronica S.p.a.			
TITLE:				MONITOR BOARD			
				SYMBOL 16000		SYMBOL 12000	
DRAWN:	DATED:	PCB NAME	SIZE:	DRAWING	REV:		
CHECKED:	DATED:	14622-00		14622-23-00			
QUALITY CONTROL:	DATED:	14623-00					
RELEASED:	DATED:	SCALE:				SHEET: 1 OF 1	

DRAWN:	DATED:
CHECKED:	DATED:
QUALITY CONTROL:	DATED:
RELEASED:	DATED:

6

5

4

3

2

1

D

D

C

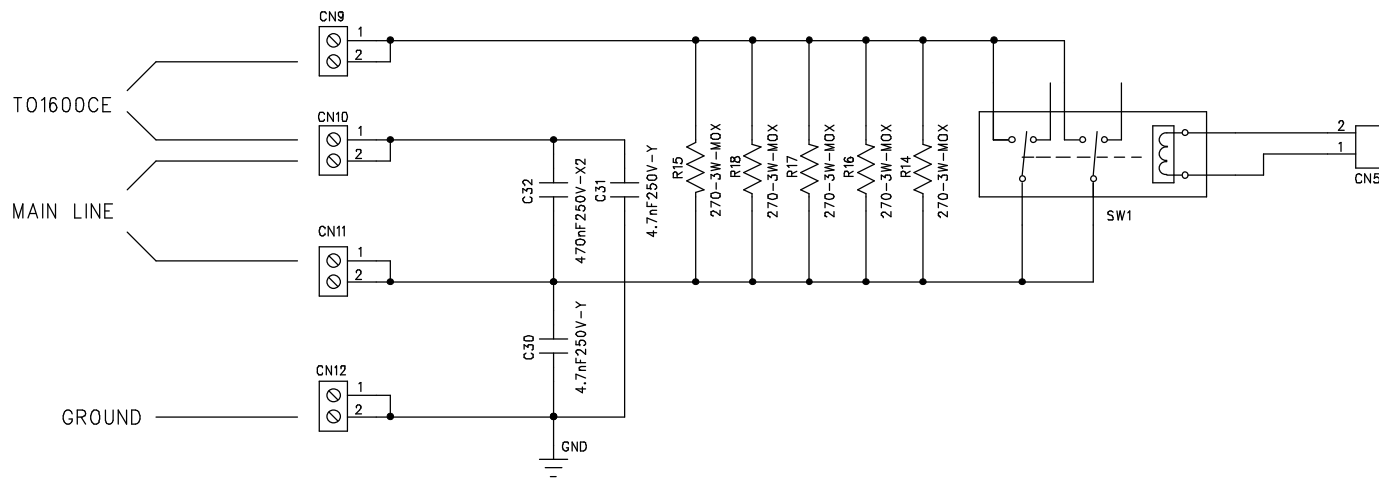
C

B

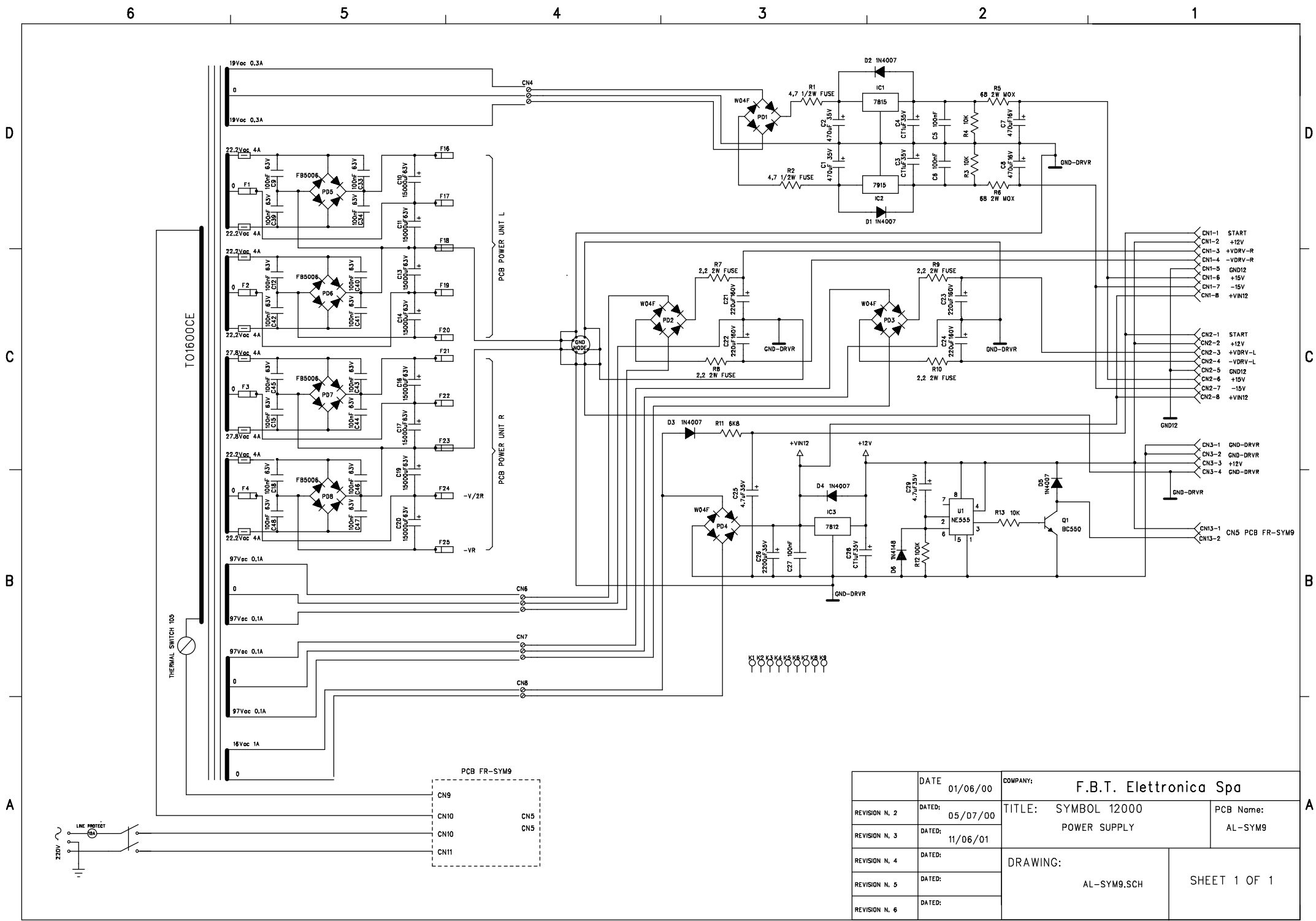
B

A

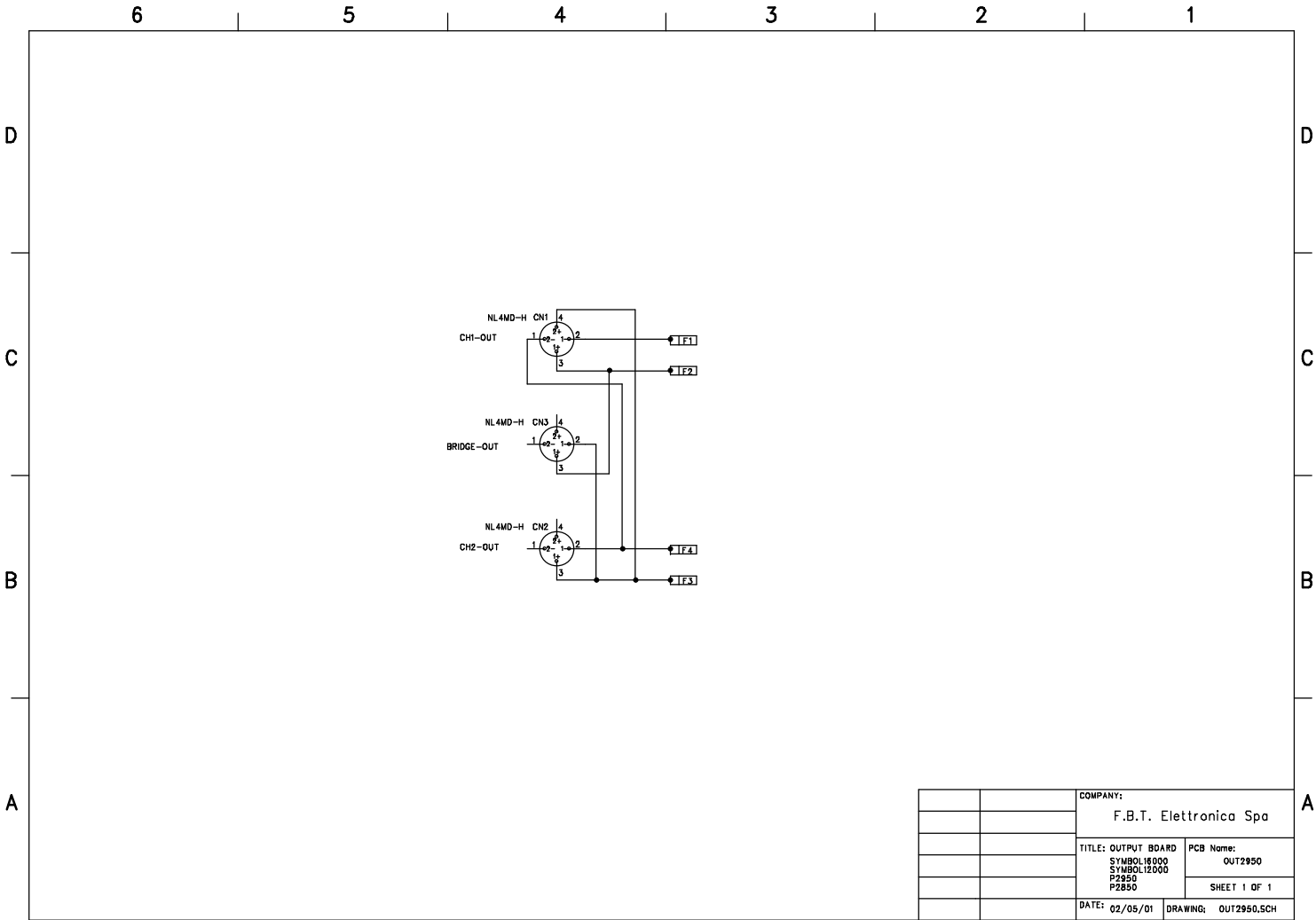
A



		COMPANY:	
		F.B.T. Electronica Spa	
		TITLE: SYMBOL 12000	PCB Name:
		E.M.I. CIRCUIT	FR-SYM9
			SHEET 1 OF 1
		DATE: 11/06/01	DRAWING: FR-SYM9.SCH



	DATE	01/06/00	COMPANY:	F.B.T. Elettronica Spa	
REVISION N. 2	DATED:	05/07/00	TITLE:	SYMBOL 12000	PCB Name:
REVISION N. 3	DATED:	11/06/01		POWER SUPPLY	AL-SYM9
REVISION N. 4	DATED:		DRAWING:		
REVISION N. 5	DATED:			AL-SYM9.SCH	SHEET 1 OF 1
REVISION N. 6	DATED:				



COMPANY:		F.B.T. Electronica Spa	
TITLE: OUTPUT BOARD		PCB Name: OUT2950	
SYMBOL16000		SYMBOL12000	
P2850		P2850	
P2850		SHEET 1 OF 1	
DATE: 02/05/01	DRAWING: OUT2950.SCH		

D

C

B

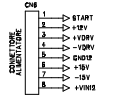
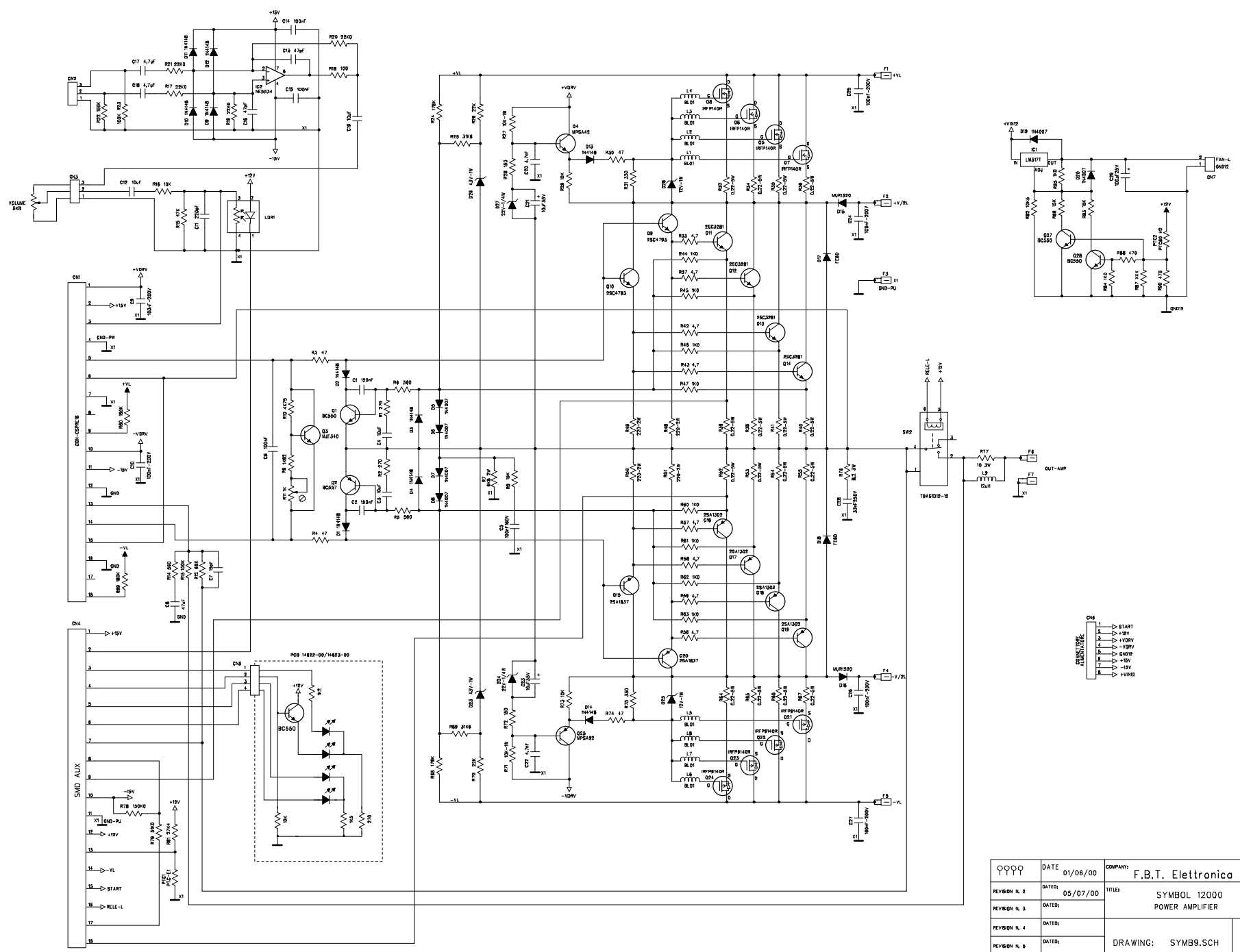
A

D

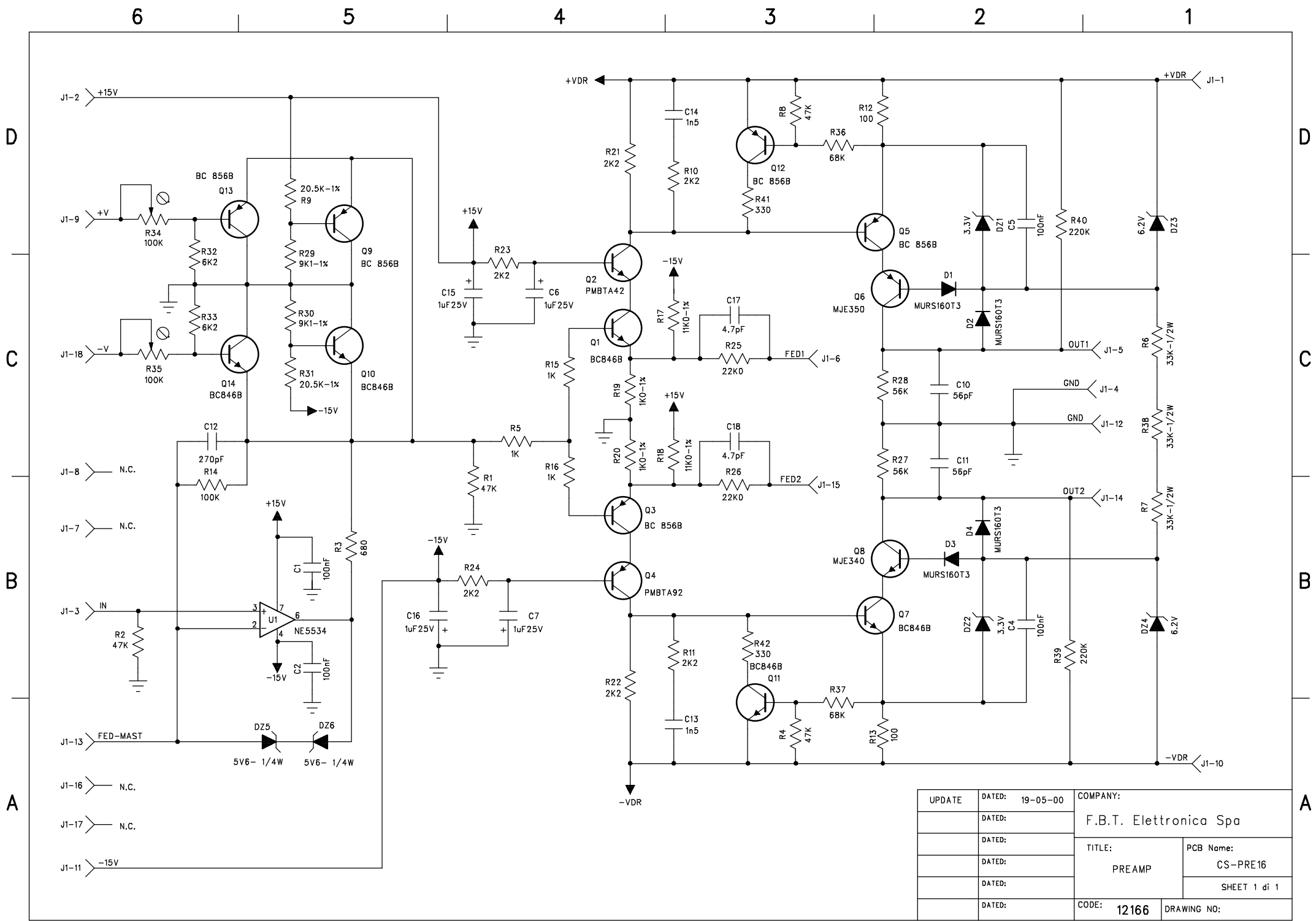
C

B

A



0000	DATE	01/06/00	COMPANY	F.B.T. Electronica Spa	
REVISION N. 2	DATE:	05/07/00	TITLE:	SYMBOL 12000	PCB Name:
REVISION N. 3	DATE:			POWER AMPLIFIER	SYMB9
REVISION N. 4	DATE:				
REVISION N. 5	DATE:			DRAWING: SYMB9.SCH	SHEET 1 OF 1
REVISION N. 6	DATE:				



UPDATE	DATED: 19-05-00	COMPANY:	
	DATED:	F.B.T. Electronica Spa	
	DATED:	TITLE:	PCB Name:
	DATED:	PREAMP	CS-PRE16
	DATED:	SHEET 1 di 1	
	DATED:	CODE: 12166	DRAWING NO: