

CROWN

SERVICE MANUAL

MODEL STP-80FW

MODEL STP-80 W



SPECIFICATIONS

TYPE

STP-80FW: 14 Transistor, FM/AM 2-Band,
3-Speed, Radio-phonograph.
STP-80W: 11 Transistor, 2-Band, 3-Speed
Radio-phonograph.

CONTROLS

Tuning string drive slide rule, vernier
Band Selection rotary switch
Power On/Off interlocked with volume control
AC/Battery Selection interlocked with AC socket
Volume variable resistor
Tone variable resistor
Speaker System separate type
Antenna telescopic rod & ferrite bar,
external antenna terminal
equipped
Turntable Speed ... rim drive selection
Pickup Stylus
Selection ST-LP/SP turnover system

DESCRIPTION:

a. Radio (STP-80FW)

Receiving
Frequency MW 530-1605kc
FM 87-108Mc
IF AM 455kc
FM 10.7Mc
Output Power ... Battery: maximum
1100mW x 2, ± 300mW
undistorted
680mW x 2, ± 50mW
AC : maximum
900mW x 2, ± 200mW
undistorted
600mW x 2, ± 80mW
Power Source ... DC 9V ("D" size battery x 6)
AC 117V
Maximum
Sensitivity MW 44dB ± 6dB at 1000kc
(W=50mW)
(AC or battery)
FM 18dB ± 6dB at 98Mc
(AC or battery)
Useable
Sensitivity MW 46dB ± 4dB at 1000kc
(AC or battery)
FM 20dB ± 4dB at 98Mc
(AC or battery)
S/N Ratio MW 27dB ± 5dB at 1000kc
(AC or battery)
FM 45dB ± 5dB at 98Mc(battery)
40dB ± 5dB at 98Mc(AC)
Current
Consumption no signal: 45mA ± 15mA
undistorted output: 200mA
± 50mA
maximum output: 300mA ± 50mA
Under Voltage ... non-working voltage: less than
5.5V

b. Radio (STP-80W) Receiving

Frequency MW 530-1605kc
SW 4-12Mc
IF 455kc
Output Power Battery: maximum
1100mW x 2, ± 300mW
undistorted
680mW x 2, ± 80mW
AC : maximum
1000mW x 2, ± 350mW
undistorted
550mW x 2, ± 100mW
Power Source DC 9V ("D" size battery x 6)
AC 117 or 220V

Maximum

Sensitivity MW 44dB ± 6dB at 1000kc
(W=50mW)
SW 44dB ± 6dB at 7Mc

Useable

Sensitivity MW 46dB ± 4dB at 1000kc
(battery power)
SW 46dB ± 4dB at 7Mc
(battery power)

MW 48dB ± 4dB at 1000kc
(AC power)
SW 48dB ± 4dB at 7Mc
(AC power)

S/N Ratio MW 28dB ± 3dB at 1000kc
(battery power)

(input=60dB,
W=50mW) SW 31dB ± 4dB at 7Mc
(battery power)

MW 22dB ± 4dB at 1000kc
(AC power)
SW 25dB ± 4dB at 7Mc
(AC power)

Current
Consumption no signal: 45mA ± 15mA
undistorted output: 250mA
± 40mA

maximum output: 300mA ± 40mA

Under Voltage ... non-working voltage: less than
4.5V

c. Phonograph

Turntable Speed .. 78, 45 & 33-1/3 rpm
Undistorted

Output 680mW x 2, ± 50mW
(battery power)
600mW x 2, ± 100mW
(AC power)

Maximum Output . 900mW x 2, ± 400mW
(battery power)
700mW x 2, ± 300mW
(AC power)

Power Source ... same as radio section
Current

Consumption no signal: 120mA ± 40mA
undistorted output: 320mA
± 40mA

maximum output: 370mA ± 40mA
motor only: 70mA ± 30mA

Under Voltage ... non-working voltage: less than
5.5V

Dimensions 13 x 9-13/16 x 6-11/16 inches
Weight 8.8 lbs (approx)

STP-80FW SCHEMATIC DIAGRAM

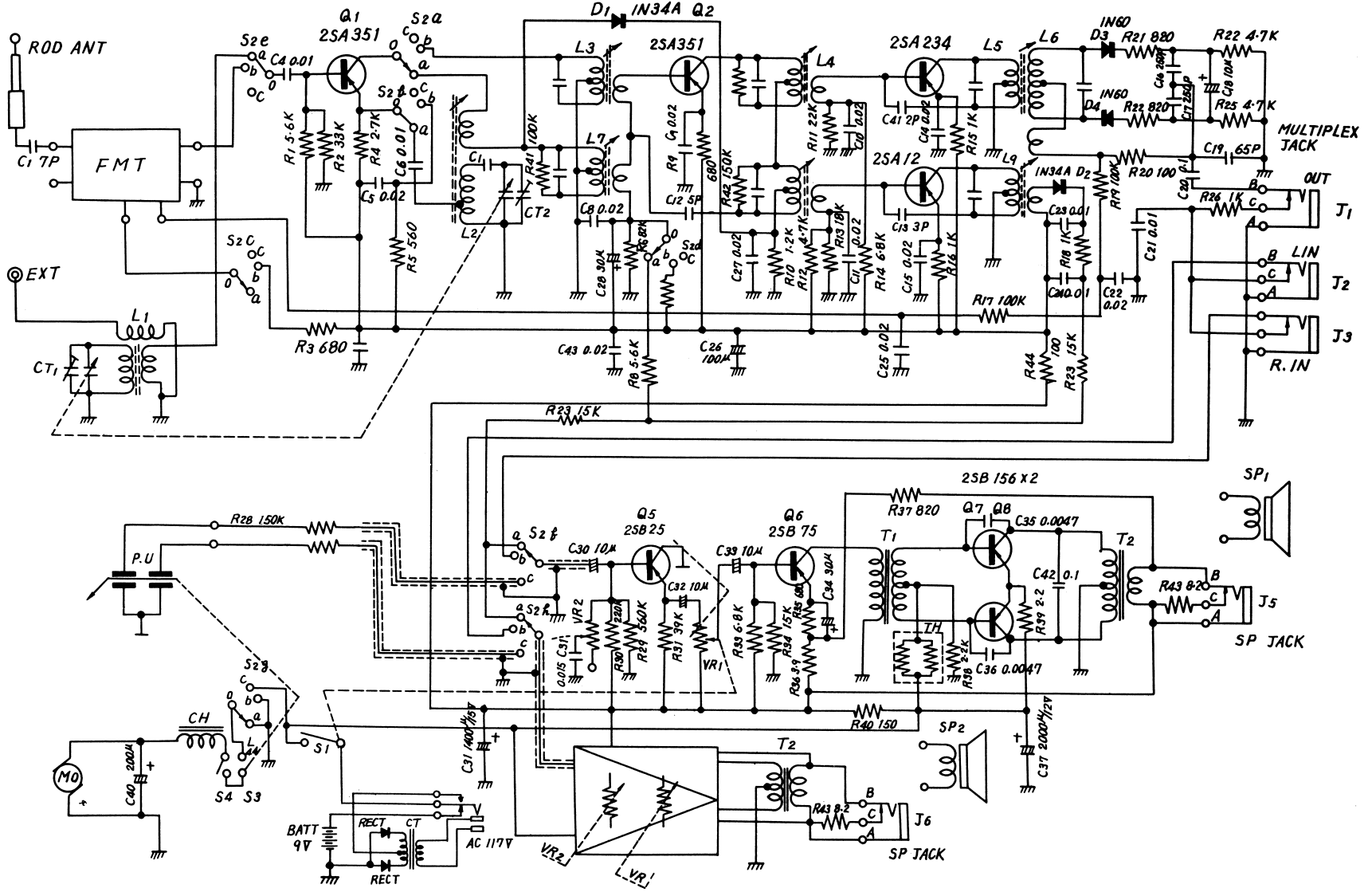


Fig. 1

STP-80FW RADIO FREQUENCY PRINTED BOARD
(Component Side)

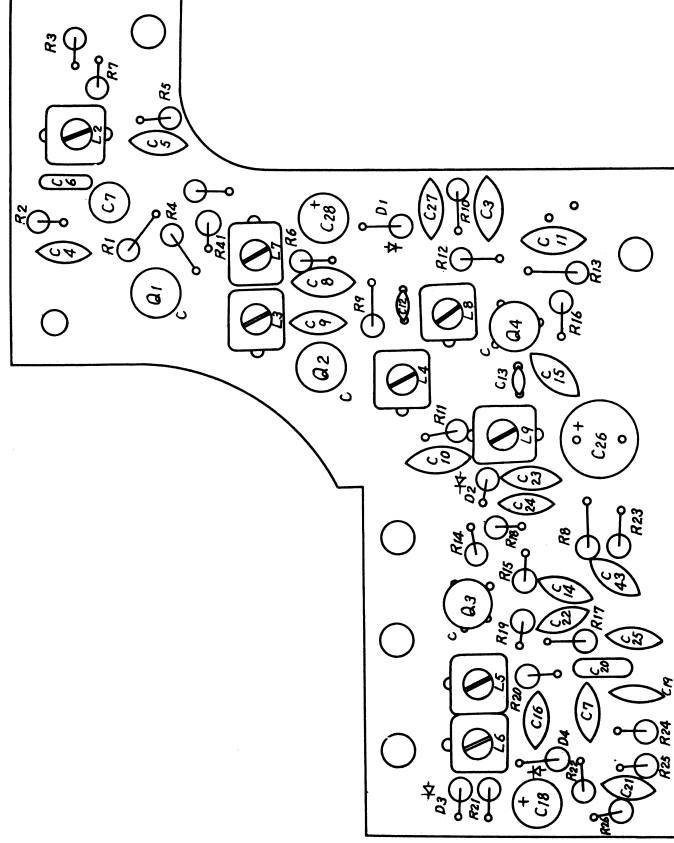


Fig. 5

STP-80W RADIO FREQUENCY PRINTED BOARD
(Component Side)

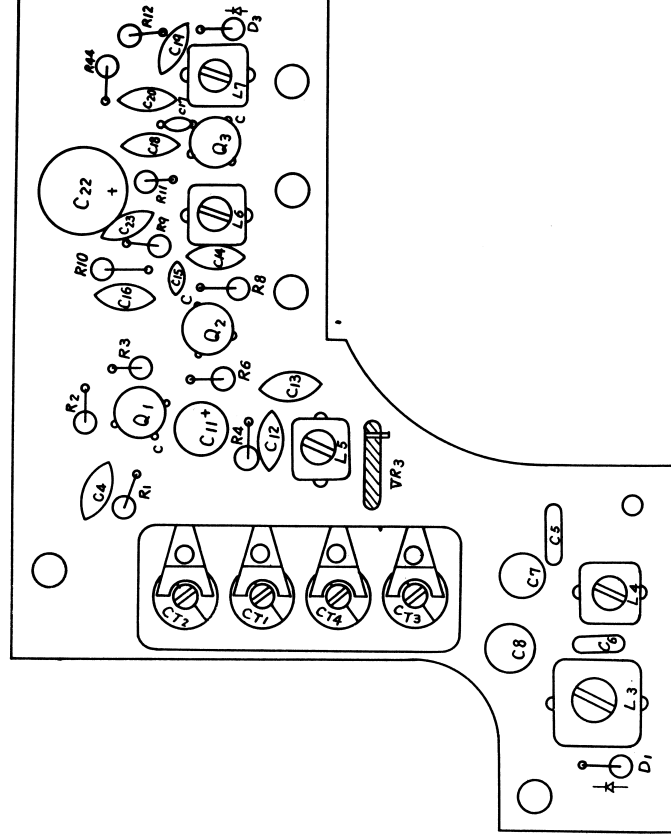


Fig. 7

AUDIO FREQUENCY PRINTED BOARD
(Component Side)

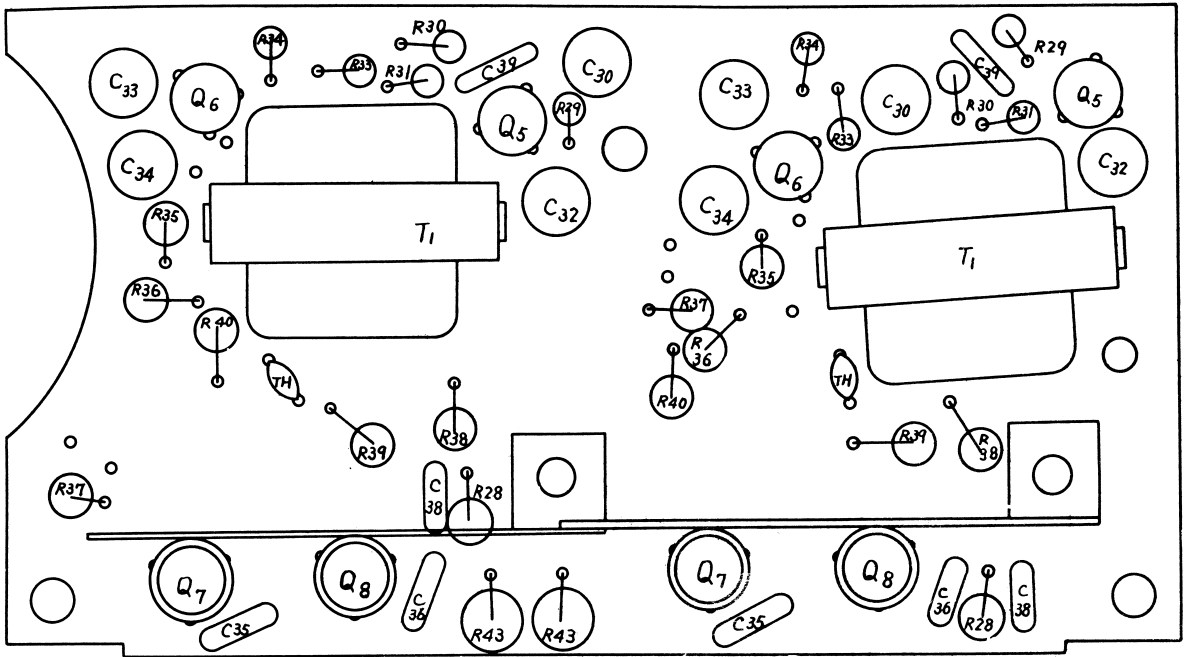


Fig. 3

(Wiring Side)

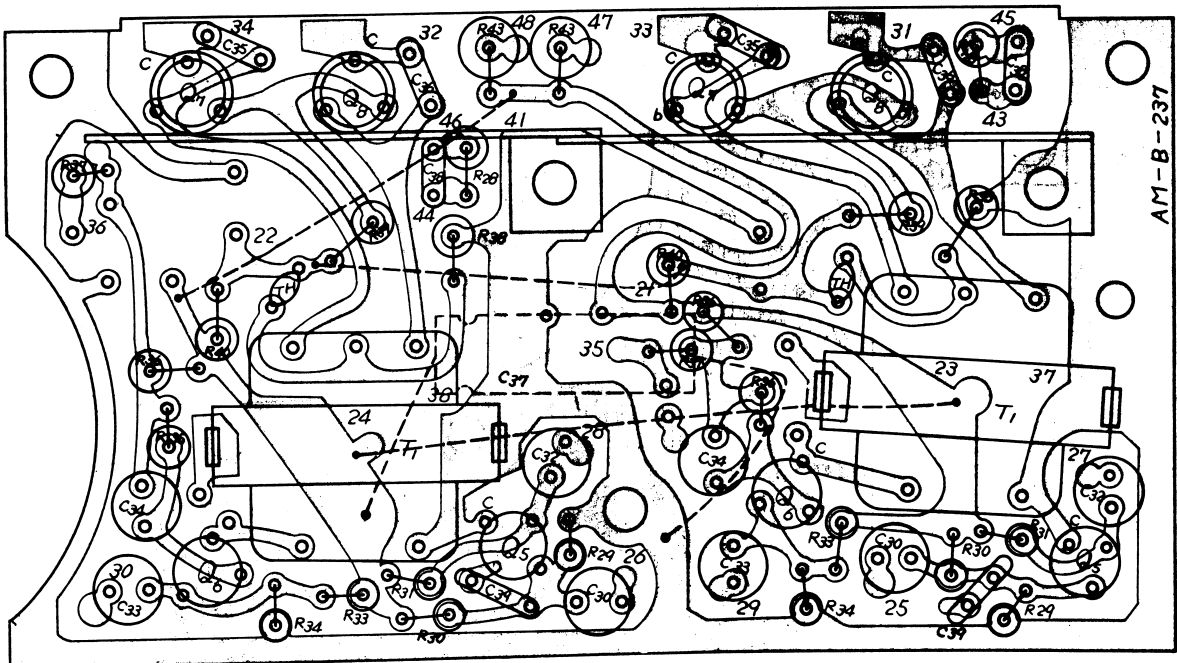


Fig. 4

STP-80FW LEAD CONNECTIONS

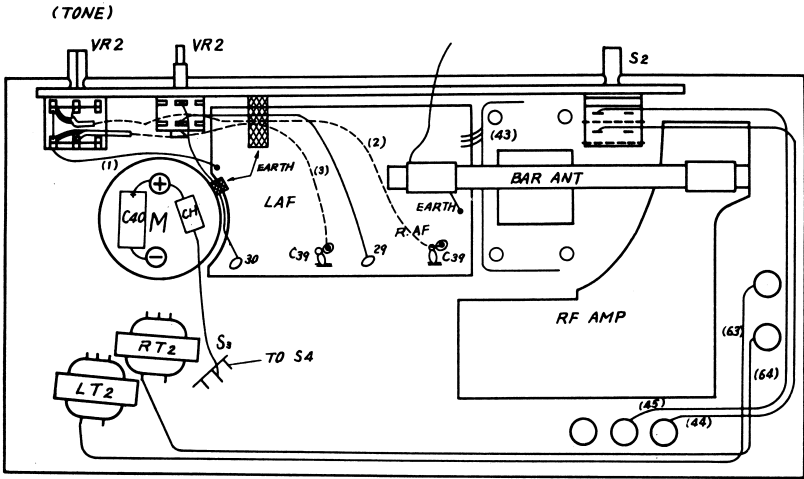


Fig. 9

STP-80W LEAD CONNECTIONS

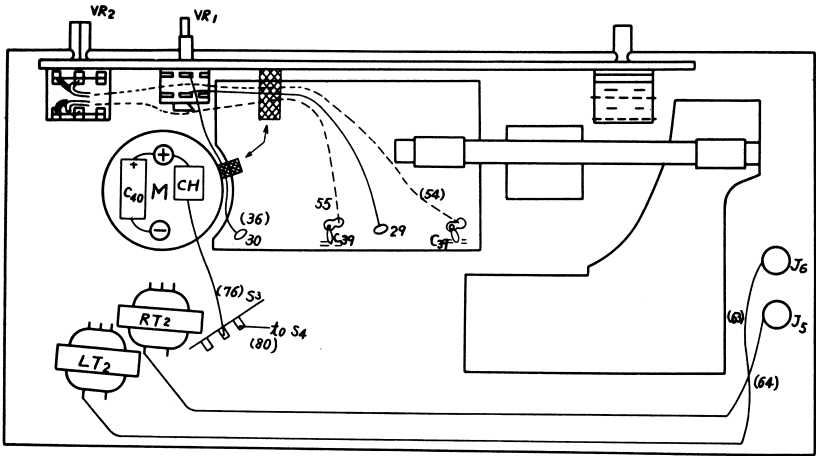


Fig. 10

LEAD CONNECTIONS (Power Source)

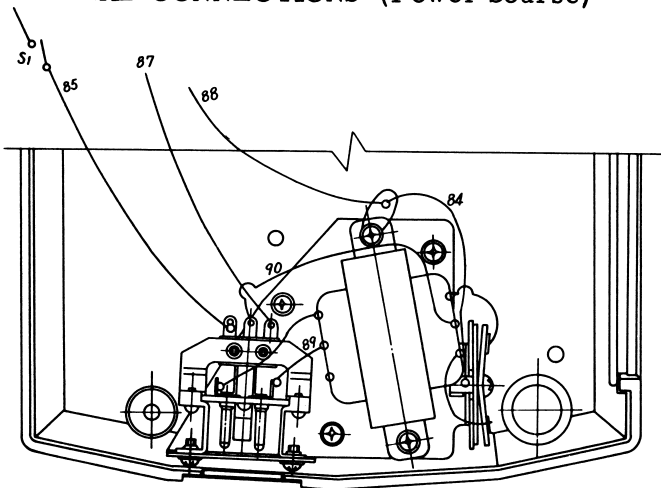


Fig. 11

STP-80W SCHEMATIC DIAGRAM

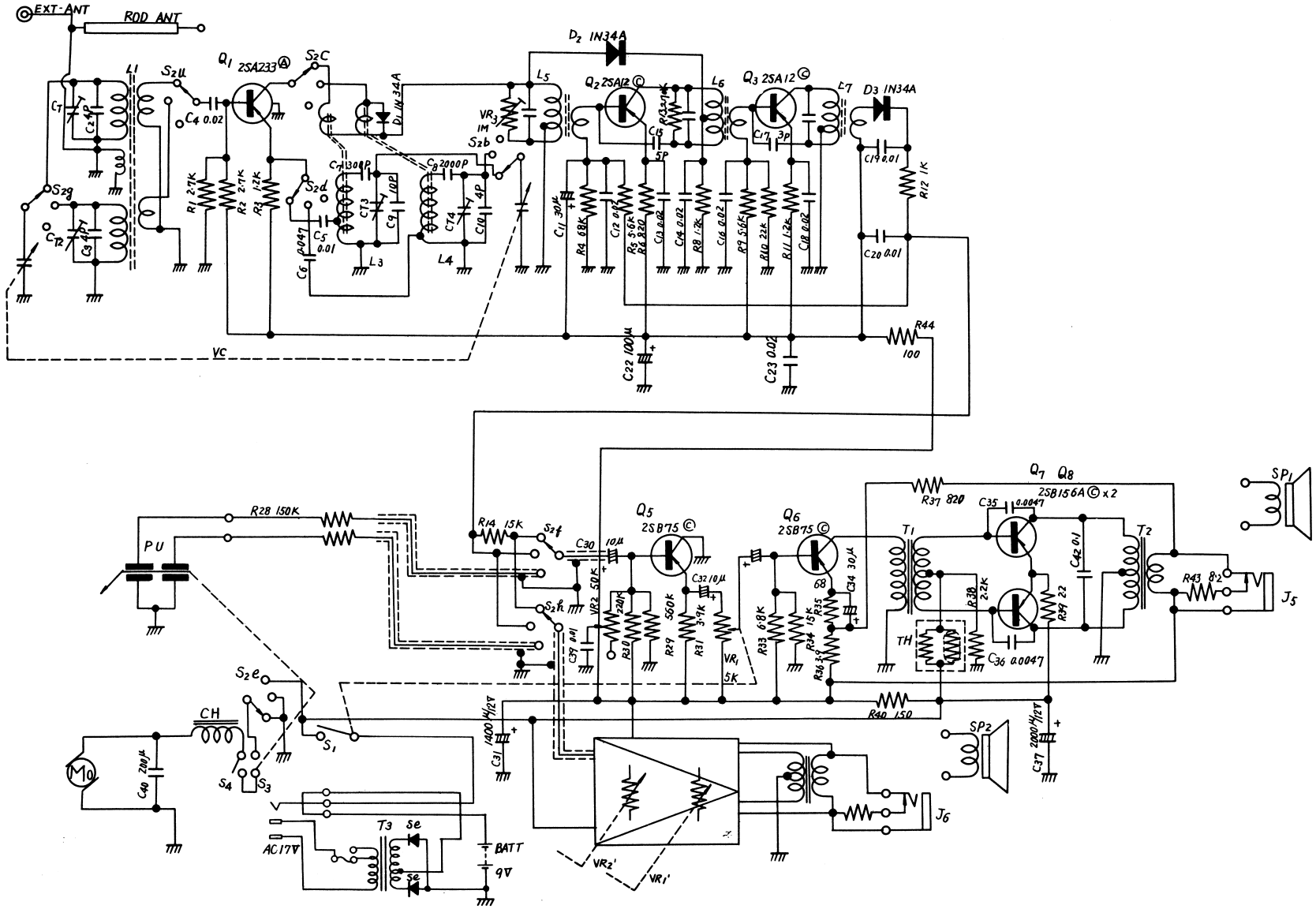


Fig. 2