

TUNER SECTION LAYOUT
(Component Side)

Fig. 2

RIGHT and LEFT
AMPLIFIER LAYOUT
(Component Side)

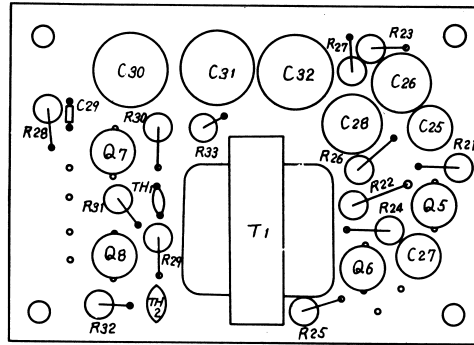
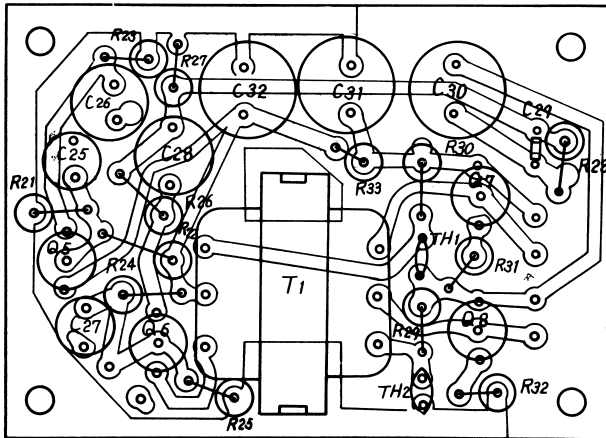


Fig. 3

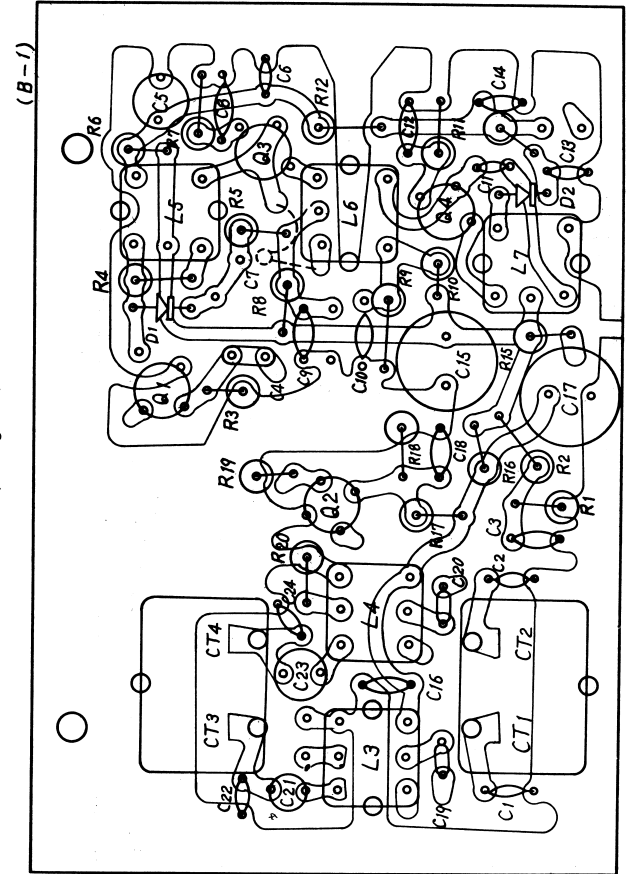
(B-2)



RIGHT and LEFT
AMPLIFIER LAYOUT
(Wiring Side)

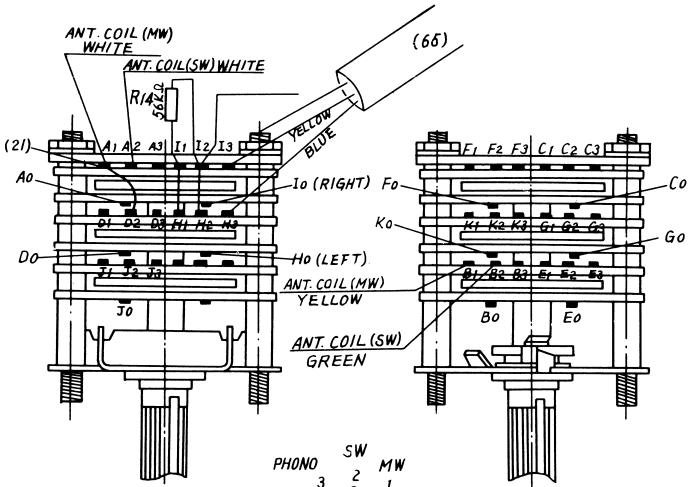
Fig. 5

TUNER SECTION LAYOUT
(Wiring Side)



CROWN MODEL SPH-120 C12

ROTARY SWITCH



VOLUME CONTROLS

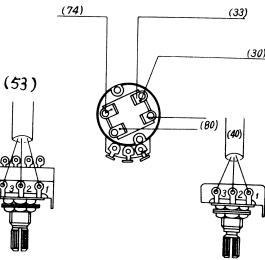


Fig. 9

MOTOR SECTION

AM-5-96

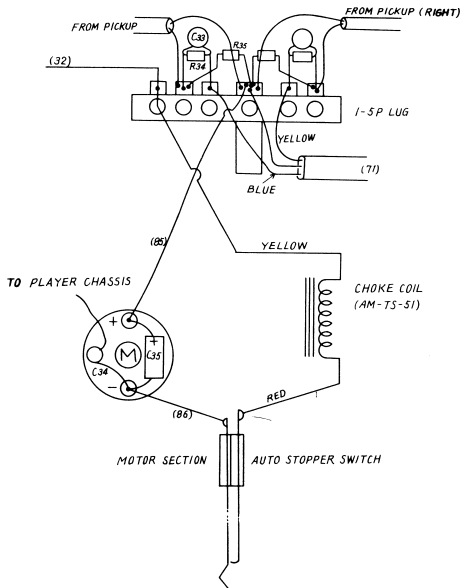


Fig. 10

C12 CROWN MODEL SPH-120

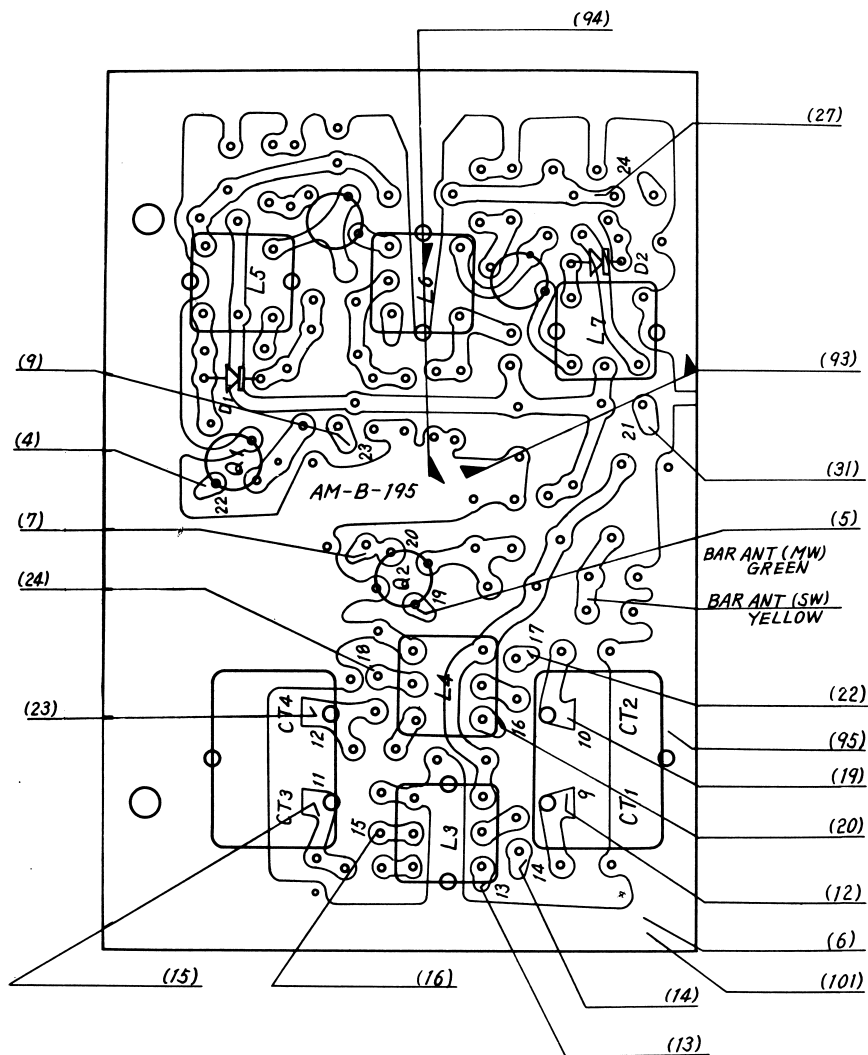


Fig. 6

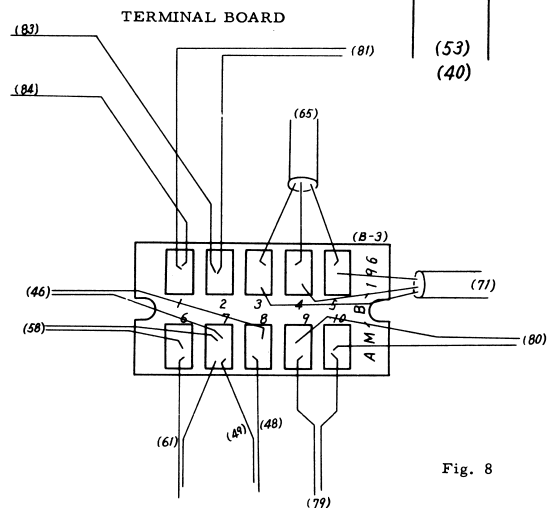
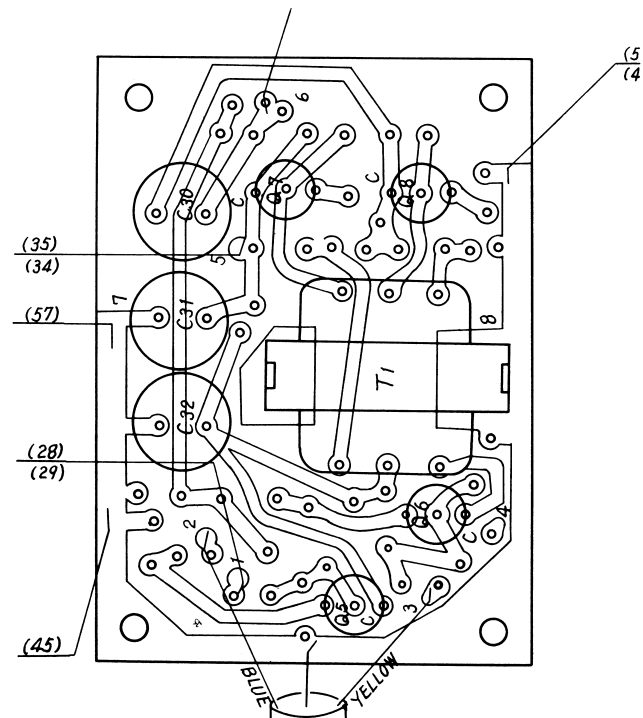


Fig. 8

Fig. 7

CROWN

SERVICE MANUAL

MODEL SPH-120



C12 CROWN MODEL SPH-120

SPECIFICATIONS

| | | |
|---|--------------------------------|--|
| TYPE | | AC adaptor may be used |
| 12 Transistor, MW/SW 2 Band, Stereo Radio-Phono-graph | | MW 36dB±4dB/1000KC(output=50mW) |
| MAIN PARTS: | | Sensitivity ... SW 36dB±4dB/7MC(output=50mW) |
| Transistor | 2SA234(oscillator) | Useable |
| | 2SA234(converter) | MW 38dB±3dB/1000KC(S/N=10dB) |
| | 2SA12(IF amplifier) | Sensitivity ... SW 37dB±3dB/7MC(S/N=10dB) |
| | 2SA12(IF amplifier) | S/N Ratio |
| | 2SB443(impedance matching) x 2 | MW 31dB±3dB/1000KC(input=60dB) |
| | 2SB443(AF driver) x 2 | (W=50mW) ... SW 32dB±3dB/7MC(input=60dB) |
| | 2SB156(power amplifier) x 4 | Selectivity ... more than 25dB(detuning= 10KC) |
| Diode | 1N34A(AGC) | Electrical Fre- quency Respon- se |
| | 1N34A(detector) | 100 - 4000c/s(-6dB) |
| Thermistor ... | CS-120 x 4 | Distortion |
| Bar Antenna ... | ferrite core, 10ϕ x 140m/m | less than 5% |
| Band Selector .. | rotary switch, 3-9-3 | AGC Merit |
| Speaker | 5 inch, P.D., z=16Ω (x 2) | more than 40dB |
| Variable | 5KΩ, "D" curve, w/SW | Current |
| Resistor | 5KΩ, "D" curve, w/o SW | no signal time: 35mA±10mA |
| | | Consumption |
| | | at useable output: 100mA±20mA |
| | | at maximum output: 120mA±30mA |
| | | motor current: less than 65mA |
| | | less than 4V |
| | | Voltage |
| | | rim drive, 3 speed, auto-stopper |
| | | equipped |
| | | Wow |
| | | less than 0.5% |
| | | Phono Output |
| | | 550mW max. ±50mW |
| | | Power |
| | | |
| RATING & PERFORMANCE | | OTHERS |
| Frequency Range MW | 535 - 1605 KC | Dimensions ... |
| | SW 3.2 - 12 MC | 21-9/16 x 17-1/2 x 5-1/2 inch |
| IF | 455 KC | Weight |
| Output Power . | 450 + 450mW(600+600mW max.) | 18.7 lbs(with batteries) |
| Power Source . | DC 9V, "D" battery x 6 | |

SCHMATIC DIAGRAM

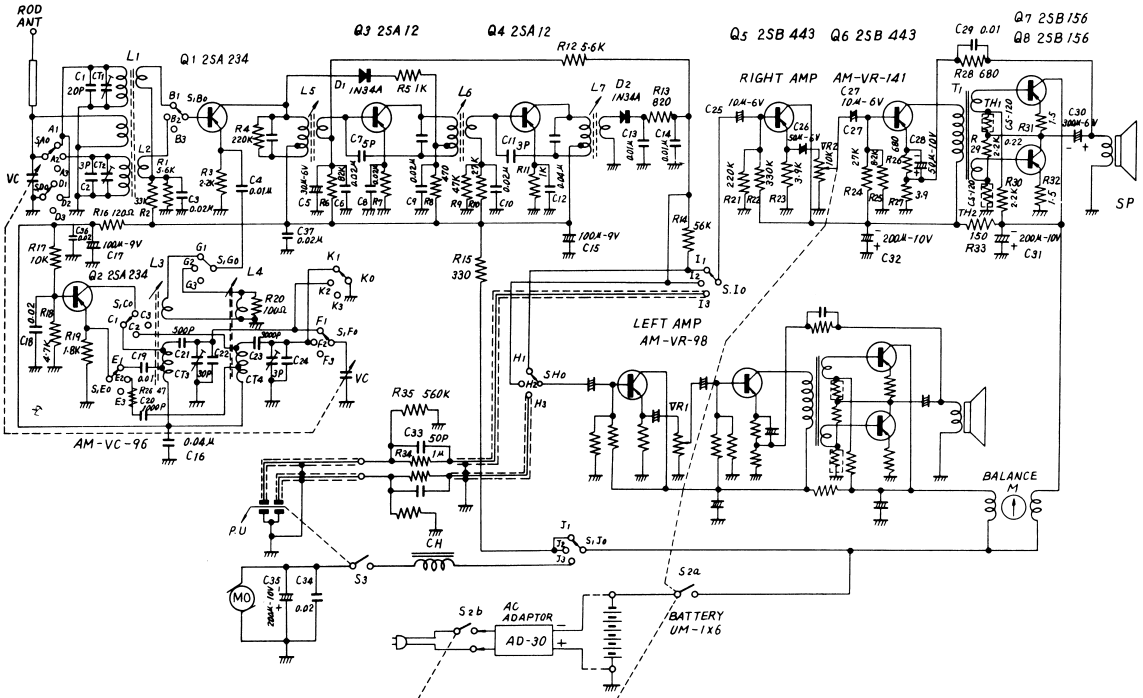


Fig. 1