

PHILIPS

RC290

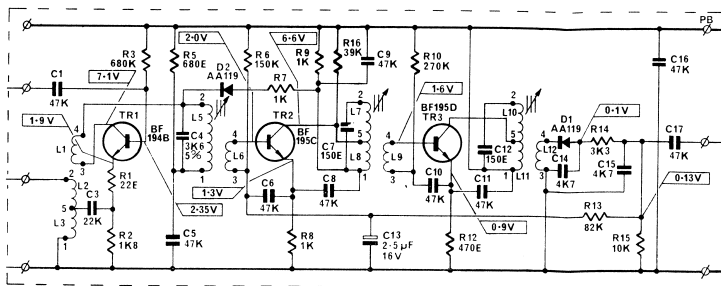


PRELIMINARY SERVICE INFORMATION SPECIFICATIONS.

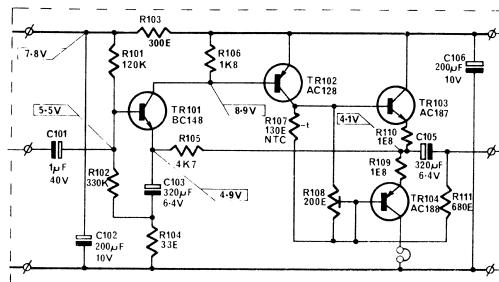
ALIGNMENT FREQUENCIES

I.F.	455 kHz
OSC. COIL	520 kHz
OSC. TRIMMER	1620 kHz
AERIAL COIL	600 kHz
AERIAL TRIMMER	1500 kHz

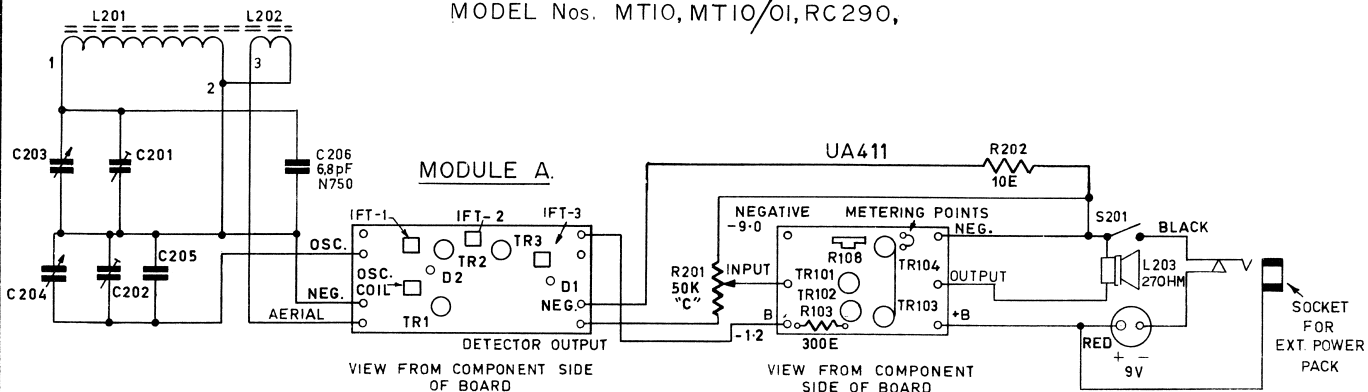
UF311



UA411



MODEL Nos. MT10, MT10/01, RC290,



C206 PRESENT IN RC290 ONLY.

S201 IS MOUNTED ON VOLUME CONTROL R201

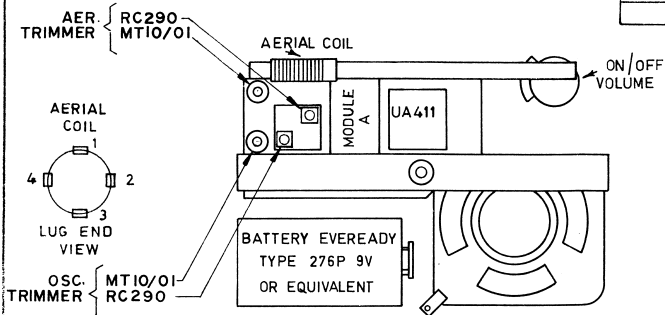
L203: MSP TYPE 4LB-27

CIRCUIT DIAGRAM UF312: 07/316 (DR. N.º D20052)

CIRCUIT DIAGRAM UA411: 07/302 (DR. N.º B19741)

CIRCUIT DIAGRAM UF311: 07/316 (DRG.No. 20052)

MODEL	MODULE A	C201	C202	C205
MT10 & MT10/01	UF 312	30E	30E	8E2±1 N2200
RC290	UF311	9E	9E	6E8±1 N1500

MODEL
MT10
MT10/01
RC290

CIRCUIT DIAGRAM

PHILIPS ELECTRICAL PTY. LIMITED

PLEASE REFER **PHILIPS** SERVICE NOTES FOR DETAILED INFORMATION