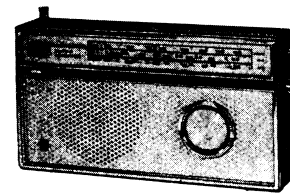
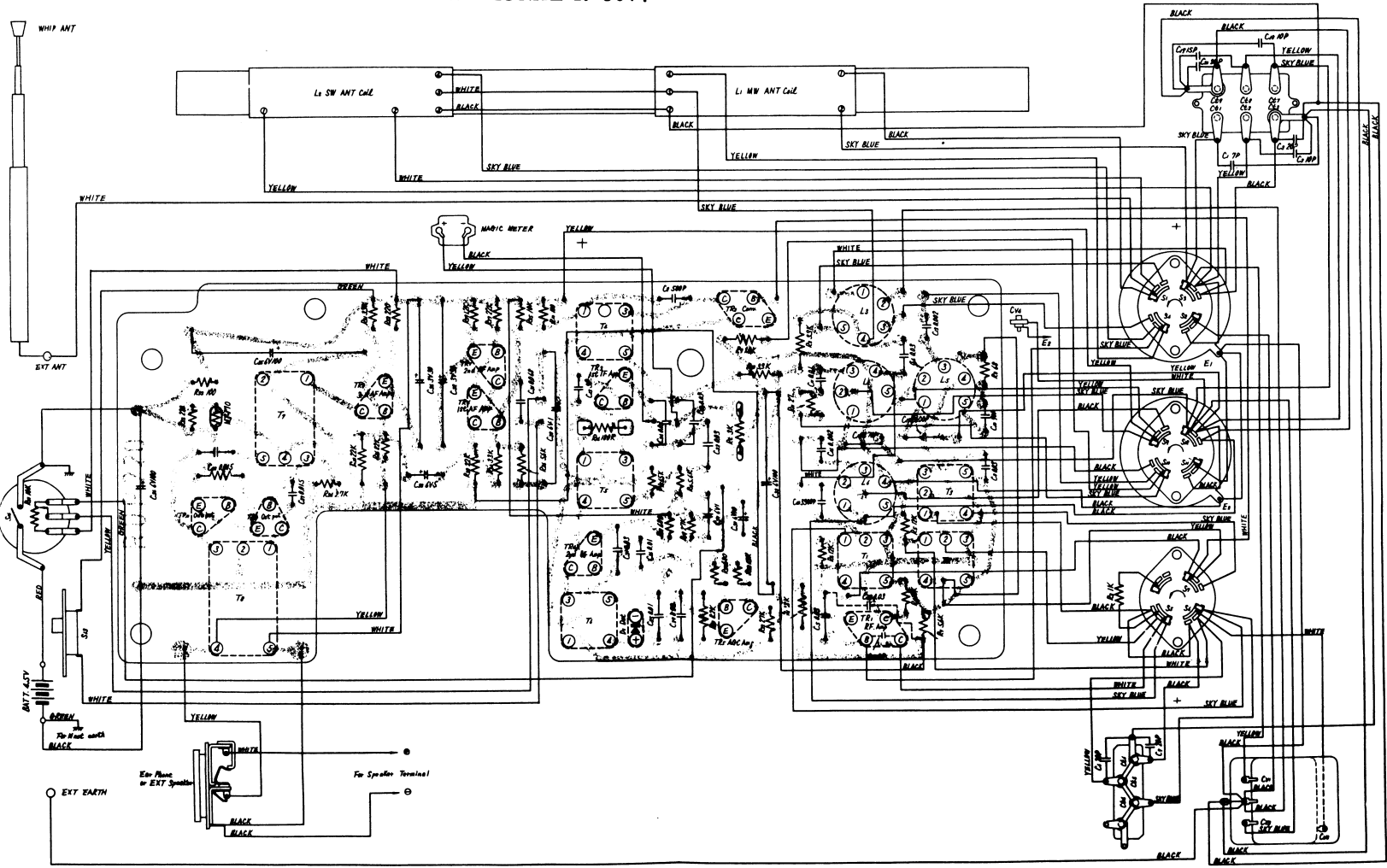


SPECIFICATIONS

Frequency Range :	MW 525 ~ 1605 KC (571 ~ 187 m)
	SW ₁ 3.2 ~ 8.5 MC (93.8 ~ 35.3 m)
	SW ₂ 8.5 ~ 22 MC (35.3 ~ 13.6 m)
Intermediate Frequency :	455 KC
Sensitivity :	MW 50 μ V / m
(for 50mW)	SW ₁ 50 μ V / m
	SW ₂ 20 μ V
Power Output :	300mW undistorted
	500mW maximum
Batteries :	Three No. 1 (D size) flashlight dry cells
Speaker :	9cm (3 $\frac{1}{8}$ ") PM Dynamic 8 Ω
Cabinet Dimensions :	256.5(w) \times 142.5(h) \times 72.5(d) mm
	(10" \times 5 $\frac{1}{2}$ " \times 2 $\frac{7}{8}$ ")





- Notes:**
1. All resistor values in ohms (K=1000).
 2. All capacitor values in micro farads (R= μ F).
 3. S₁~S₁₂: Band selection switch now at "MW" position.
 4. S₁₃: Tone selection switch now at "HIGH" position.
 5. S₁₄: Power switch now at "OFF" position.
 6. Parts which are not mounted on the printed circuit board are indicated by dotted lines.