



TECHNICAL BULLETIN

SUBJECT-

INSTALLATION INSTRUCTIONS

for fitting

MODEL "CR" 6 VOLT 6 VALVE CAR RADIO INTO THE 1949-50 OLDSMOBILE CAR

Antenna

The antenna used is a four section telescopic whip type which is mounted on the car fender (mudguard) in the position shown in the diagram.

1. Centre punch the mark and drill a 1 1/8 in. dia. hole. Clean off all paint, grease and burrs for approx. 1/2 in. on the underside of the hole with a sharp-edged tool or emery paper to ensure proper electrical earthing of the clamp washer.
2. Remove the lead-in, lock nut, clamp ball and clamp washer from the antenna base. Insert the antenna base into the top of the hole. Hold the antenna vertical and turn the formed rubber washer on the antenna base so that it fits the form of the fender.
3. On the underside of the fender reassemble the clamp washer, clamp ball and lock nut to the antenna base. Tighten the lock nut securely, making sure the antenna remains vertical, and the formed rubber washer follows the form of the fender.
4. Reassemble the lead-in cable to the base of the antenna, making sure the knurled gland nut on the lead-in is securely tightened.

Assembly of Sub-Unit to Receiver Case

1. Remove knobs, small barrel nuts, escutcheon and large barrel nuts from sub unit spindles.
2. Remove rear cover of sub unit by unscrewing the six self tapping screws around the outer edges.
3. Insert 7 pin plug lead and shielded lead from receiver through large hole in sub unit cover, then fasten the rear cover to front of receiver case with four 1/4 in. x 5/32 in. dia. whit. screws and S/P. washers.
4. Insert a small screwdriver through hole in receiver can into rubber moulding on condenser gang shaft and turn fully clockwise.
5. Connect lug on end of shielded A+ lead from receiver under head of screw in corner of 7 pin socket on sub unit. Fit 7 pin plug on to 7 pin socket.
6. With the pointer in extreme clockwise position insert splined end of tuning spindle into rubber moulding on condenser gang.
7. Re-assemble sub unit to its rear cover on receiver with the six self tapping screws.

Speaker Assembly

1. Assemble speaker baffle to control head (refer diagram) with two self tapping screws supplied, screws to enter through holes in lugs of baffle.
2. Assemble rear support bracket to receiver under S/P. washer and 5/16 in. nut. Mount other end of bracket to baffle with the two 5/32 in. Csk. Hd. Screws, S/P. washers and nuts provided.

Installation of Receiver Into Car

1. Remove escutcheon from car instrument panel.
2. Insert assembled receiver up behind instrument panel. The control spindles to protrude through holes in instrument panel and bottom edge of baffle will come to rest against one side of reinforcing channel along bottom edge of panel.
3. Clamp receiver in position by fastening the two larger barrel nuts to control spindles and fasten bottom lip of baffle to bottom lip of panel through existing hole in panel lip with the No. 8 self tapping screw.
4. Fit escutcheon and mount in position with barrel nuts, then push on control knobs.
5. Connect speaker plug to receiver speaker socket. Connect antenna lead-in to receiver lead-in socket. Connect A+ lead from receiver sub unit to fuse holder lug on lighting switch (lug nearest panel).

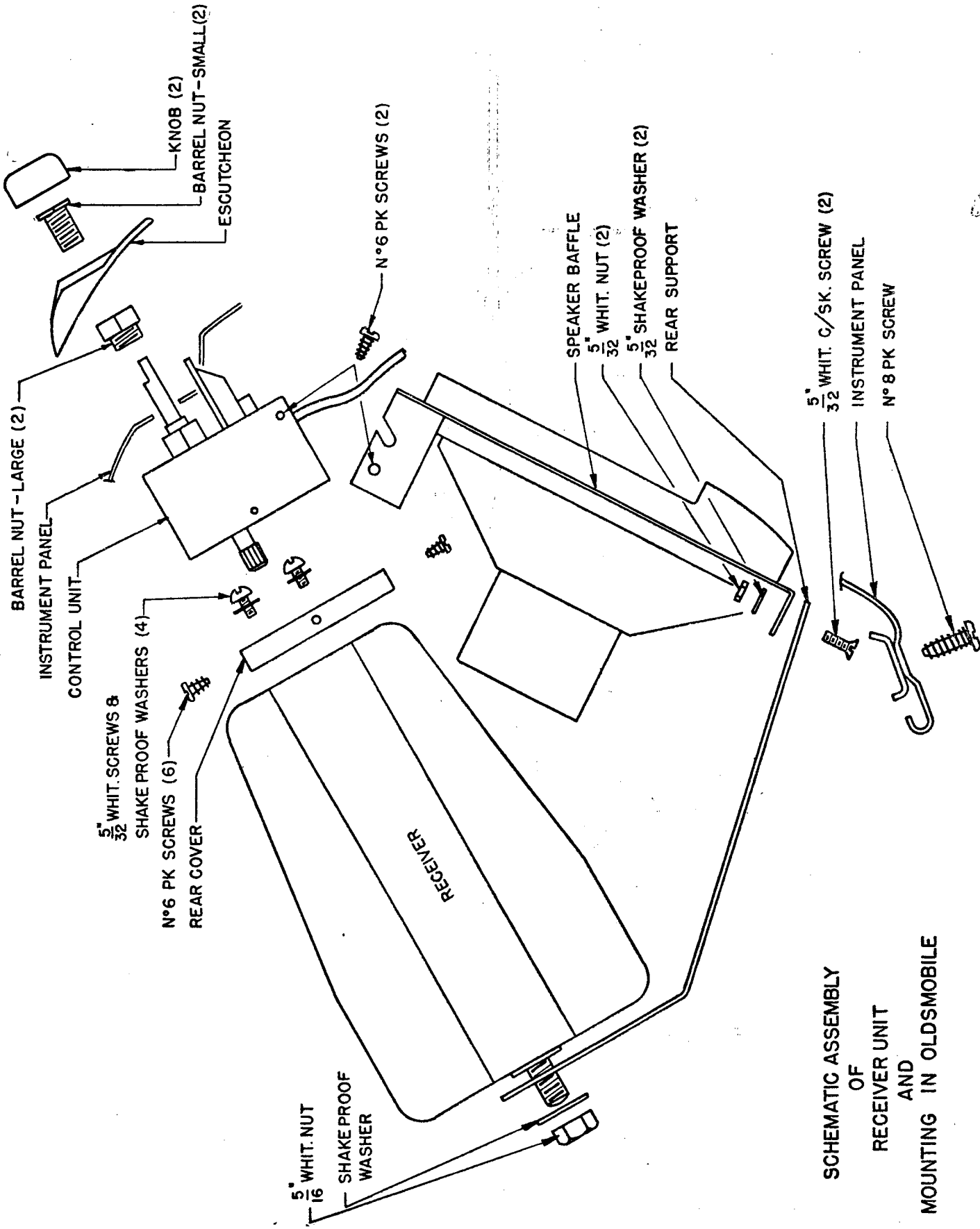
Interference Elimination

1. No spark plug suppressors are required.
2. Distributor Suppressor:-Remove the high tension lead from the distributor cap and into its place fit a plug-in type suppressor. On the HT. lead fit the rubber cap supplied, connect HT. lead into outer end of suppressor and slip rubber cap over the connection.
3. Mount a .5 MFD. metal clad by-pass condenser on the generator under the head of the screw provided for this purpose. Connect the lead from the condenser to the armature terminal, not the field terminal-make the lead as short as possible.
4. Mount a .5 MFD. metal clad by-pass condenser under the head of the bolt fastening the coil mount clip. Connect the lead from the condenser to the battery terminal of the coil-make the lead as short as possible.

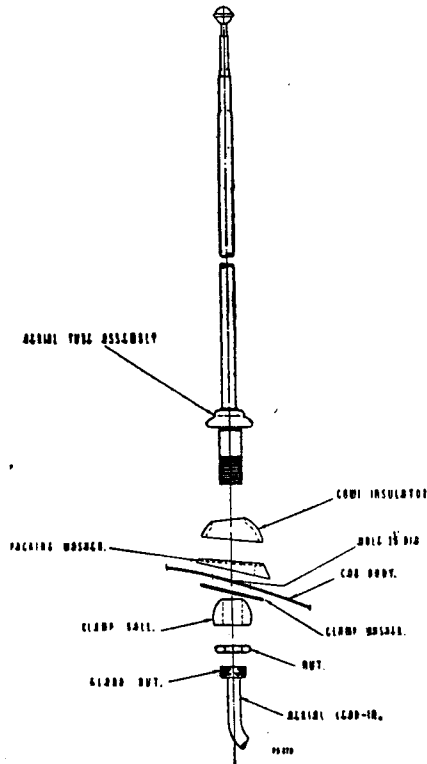
The nuts and mounting positions of the by-pass condensers must be entirely free of grease, insulating varnish or paint to ensure a proper electrical contact.

Parts List

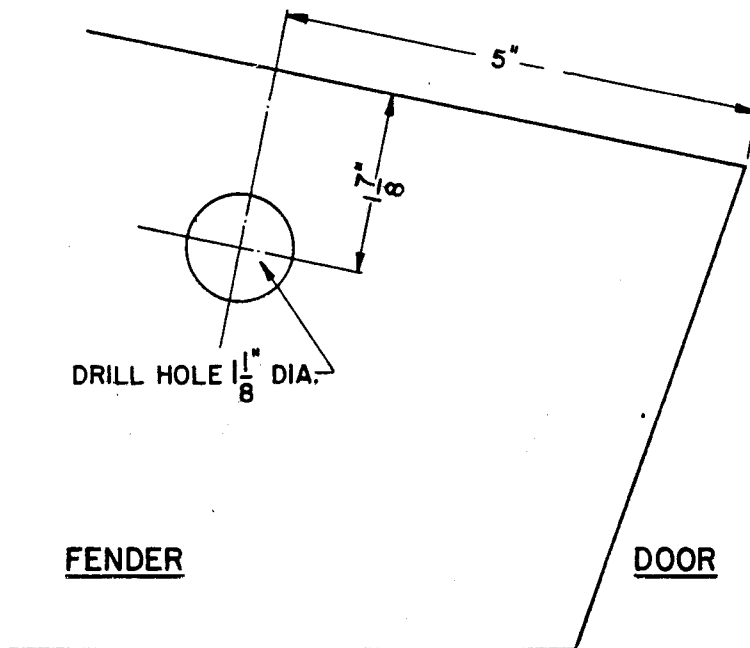
| | <u>Part No.</u> |
|--------------------|---|
| Antenna | : Antenna only, less lead-in, fully extended 49", fully retracted 15" M223 |
| Antenna Lead-in | : 48" overall length M224 |
| Tone Control | : 100K. ohm PR678 |
| Volume Control | : .5 megohm PR679 |
| Speaker | : 6" x 9" oval type (speaker only with 2 only 24" leads, less shielding braid and plug) K158 |
| Speaker Plug | : 2 pin 336/30C |
| Dist. Suppressor | : plug-in type 6 volt PR221 |
| Rubber Cap | : For fitting over suppressor connection 14/140 |
| Fuse | : 15 amp. PM219 |
| Dial Pointer | : A104/325-1 |
| Control Knob | : 4/310-3 |
| Knob Spring | : 86/71 |
| 7 Pin Socket Assy. | : On remote control head A104/323 |
| 7 Pin Plug Assy. | : On receiver lead A104/58-1 |
| Barrel Nut | : small 9/325 |
| Barrel Nut | : large 13/325 |
| Escutcheon | : 17/325-2 |
| By-pass Cond. | : .5MFD. 200V. DCW. Metal clad PC545 |
| No. 6 PK. Screw | : 35/560-2 |
| No. 8 PK. Screw | : 35/560-18 |
| Dial Reading | : 14/665-3 |
| Dial Lamp | : 6-8V. 0.3A. min. bay, base G3½ bulb M127 |
| Mount Nut 5/16" | : On rear of receiver case, whit. thread 3/478-14 |
| Thumb Wheel | : On tone control-bakelite 3/306-2 |



SCHEMATIC ASSEMBLY
OF
RECEIVER UNIT
AND
MOUNTING IN OLDSMOBILE



BONNET



TOP VIEW OF LEFT HAND SIDE FENDER SHOWING POSITION OF AERIAL MOUNTING HOLE