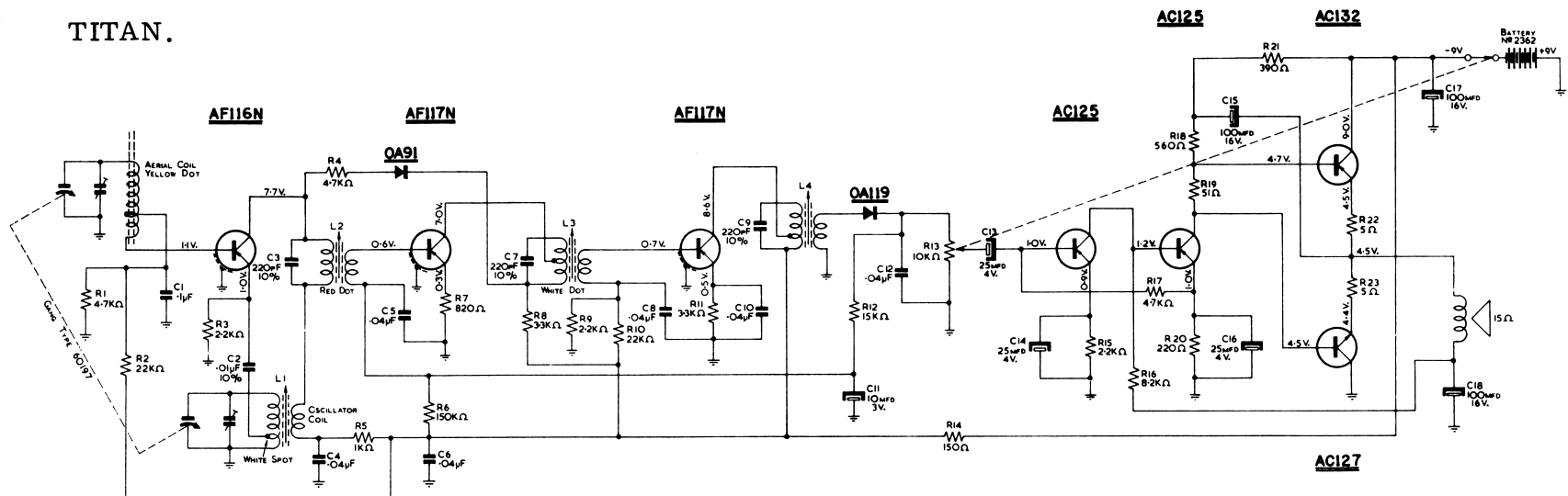


M5.

C. N ^o	1	2	3	4	5	6	7	8	9	10	11	12	13	14	15	16	17	18	19	20	21	22	23
R. N ^o	1	2	3	4	5	6	7	8	9	10	11	12	13	14	15	16	17	18	19	20	21	22	23

TITAN.



7 TRANSISTOR PORTABLE BROADCAST RECEIVER

MODEL PRT1M

CHASSIS 4-06

FREQUENCY RANGE

530 - 1620 KC/S

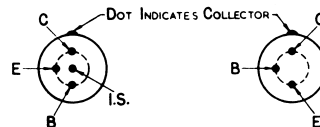
I.F. FREQUENCY 455 KC/S

ISSUE N ^o : 0	
DRAWN	D.R. 16-8-65
CHECKED	5-9-65
APPROVED	5-9-65
PART N ^o	4/06/257

NOTE: ALL CAPACITORS 20% UNLESS OTHERWISE STATED.
 ALL RESISTORS 1/2W. 10%.
 ALL MEASUREMENTS TAKEN ON A.W.A. VOLTOHMIST
 UNDER NO SIGNAL CONDITIONS.
 IF RECEIVER IS TUNED TO A STATION THE VOLTAGES
 AROUND THE OUTPUT STAGE & THE 1st I.F. STAGE
 WILL VARY.

AF116N, AF117N

AC125, AC127, AC132



BOTTOM VIEW OF TRANSISTORS