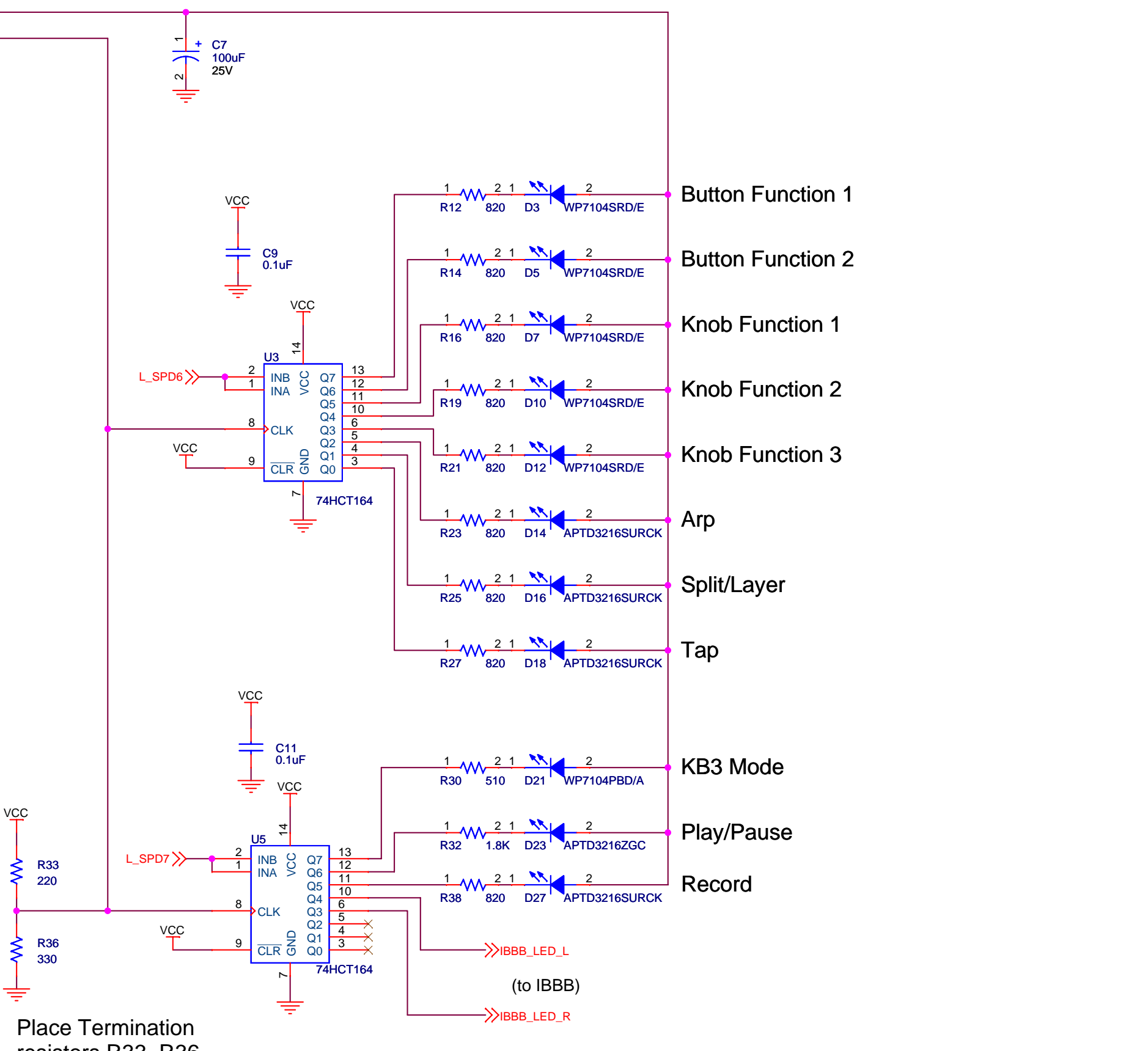
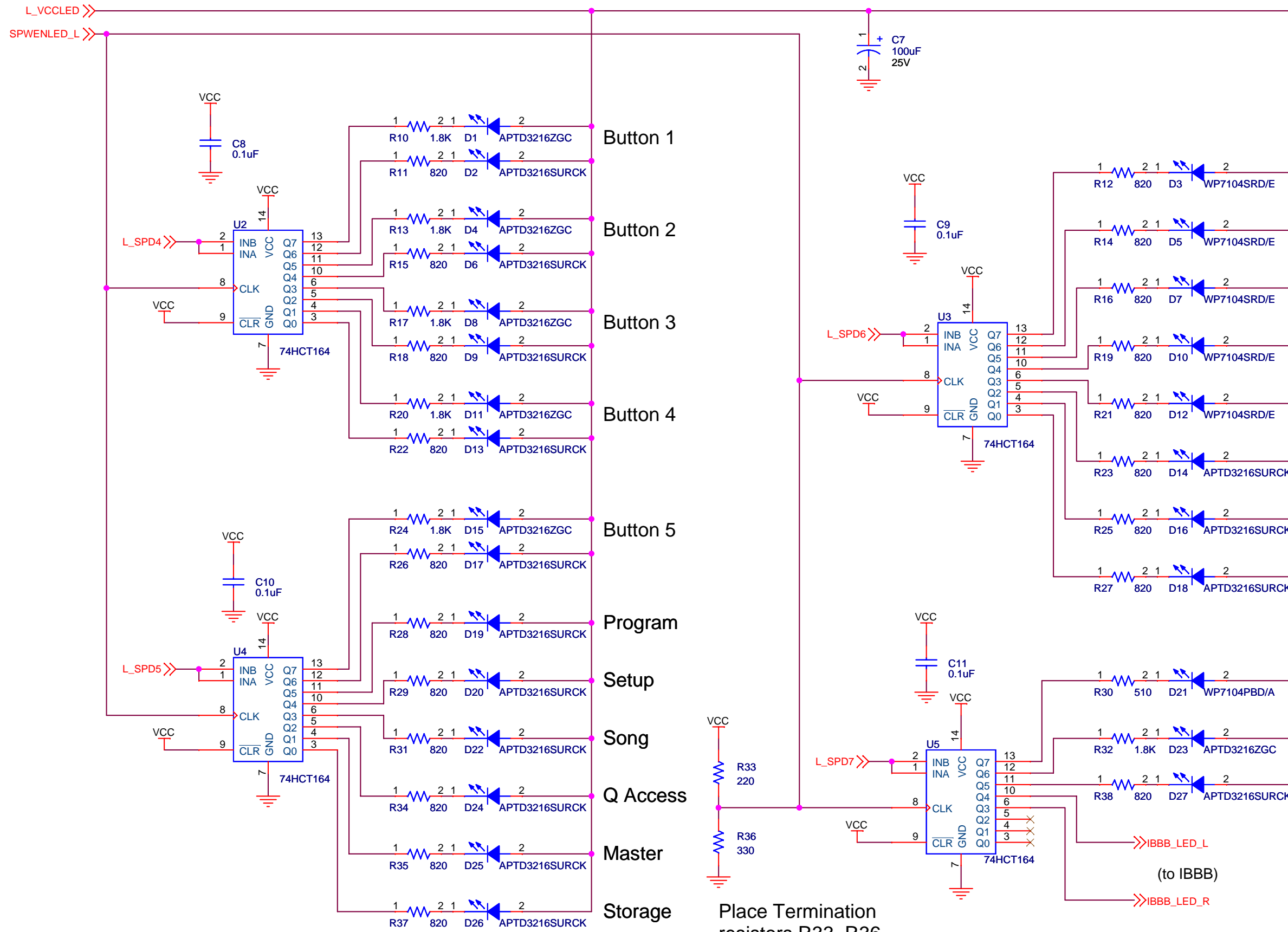


**Young Chang R&D Institute**  
 1432 Main St.  
 Waltham MA 02451  
 USA  
 Copyright 2008 Young Chang Co., Ltd.  
 Reproduction without the express written consent of Young Chang Co., Ltd. is prohibited.

**Title** PC3LE LEFT FRONT PANEL BUTTONS & KNOBS

<b>Size</b>	<b>By</b> R. Bryan	<b>Document Number</b> 021404	<b>Rev</b> RAV1
<b>Date</b> Thursday, May 21, 2009	<b>Sheet</b> 1	<b>of</b> 2	

Place C12-16 near U1



Place Termination resistors R33, R36, at end of trace furthest from J1

**Young Chang R&D Institute**  
 1432 Main St.  
 Waltham MA 02451  
 USA  
 Copyright 2008 Young Chang Co., Ltd.  
 Reproduction without the express written consent of Young Chang Co., Ltd. is prohibited.

Title: **PC3LE FRONT PANEL LEFT LEDs**

Size	By R. Bryan	Document Number 021404	Rev RAV1
Date:	Thursday, May 21, 2009	Sheet 2	of 2