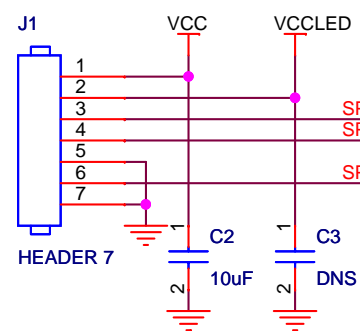
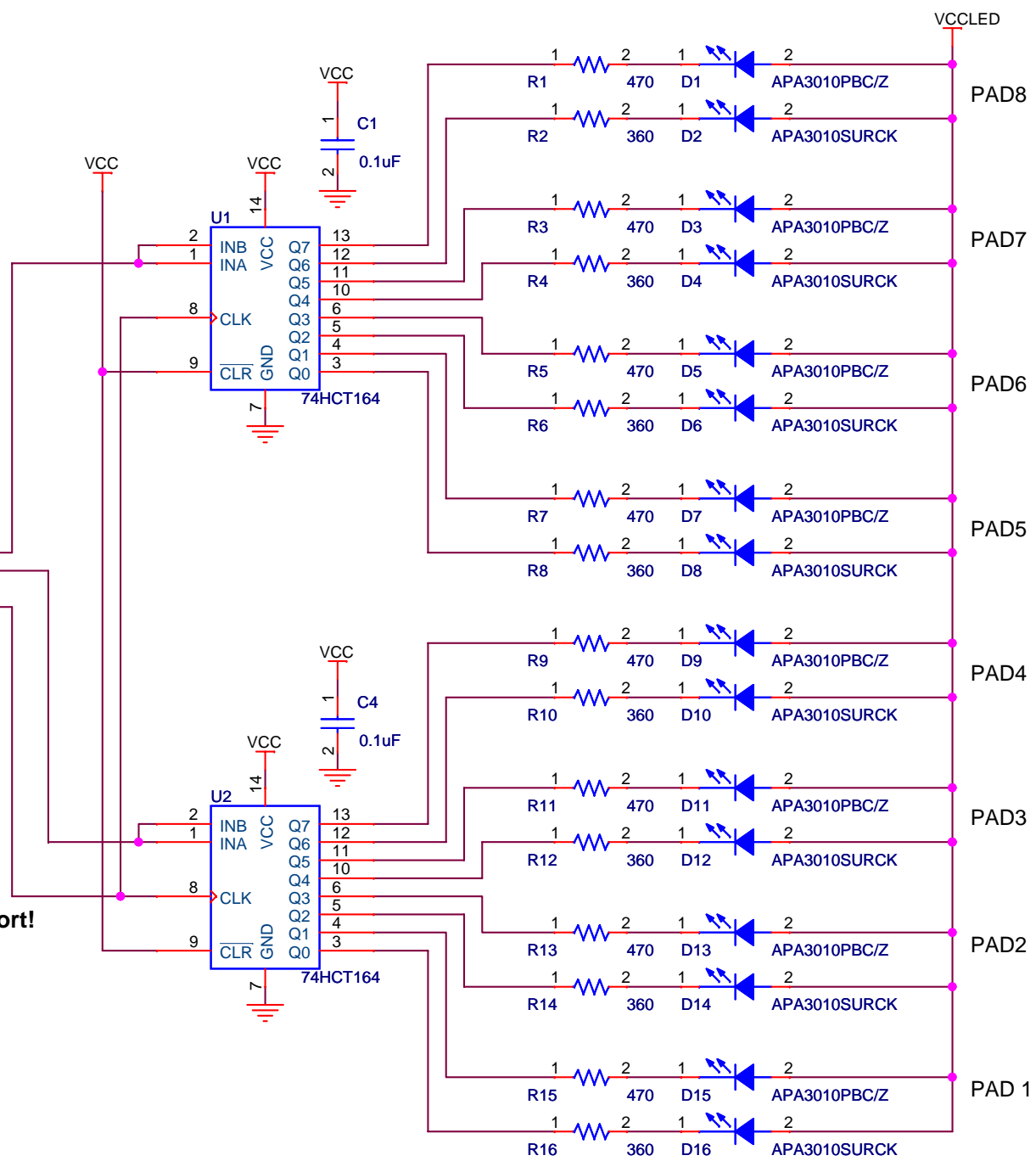


APA3010PBC/Z (Blue) = 230mcd @ 20mA, Vf = 3.2V, 470 Ohms = 2.7mA
 APA3010SURCK (Red) = 250mcd @ 20mA, Vf = 1.95V, 360 Ohms = 5.6mA

TO RIGHT
FRONT PANEL



Keep trace SPWEN_LED_L to 74HCT164 clock inputs very short!



A blue (PBC/Z) LED is located above each drum pad and a red (SURCK) LED is located below each pad.

Young Chang R&D Institute			
1432 Main St. Waltham MA 02451 USA			
Copyright 2008 Young Chang Co., Ltd. Reproduction without the express written consent of Young Chang Co., Ltd. is prohibited.			
Title PC3LE Drum Pad LED Assembly LED Interface			
Size B	By T. Thompson, H. Chamberlin	Document Number 021407	Rev RAV1
Date: Thursday, May 21, 2009	Sheet 1	of 1	