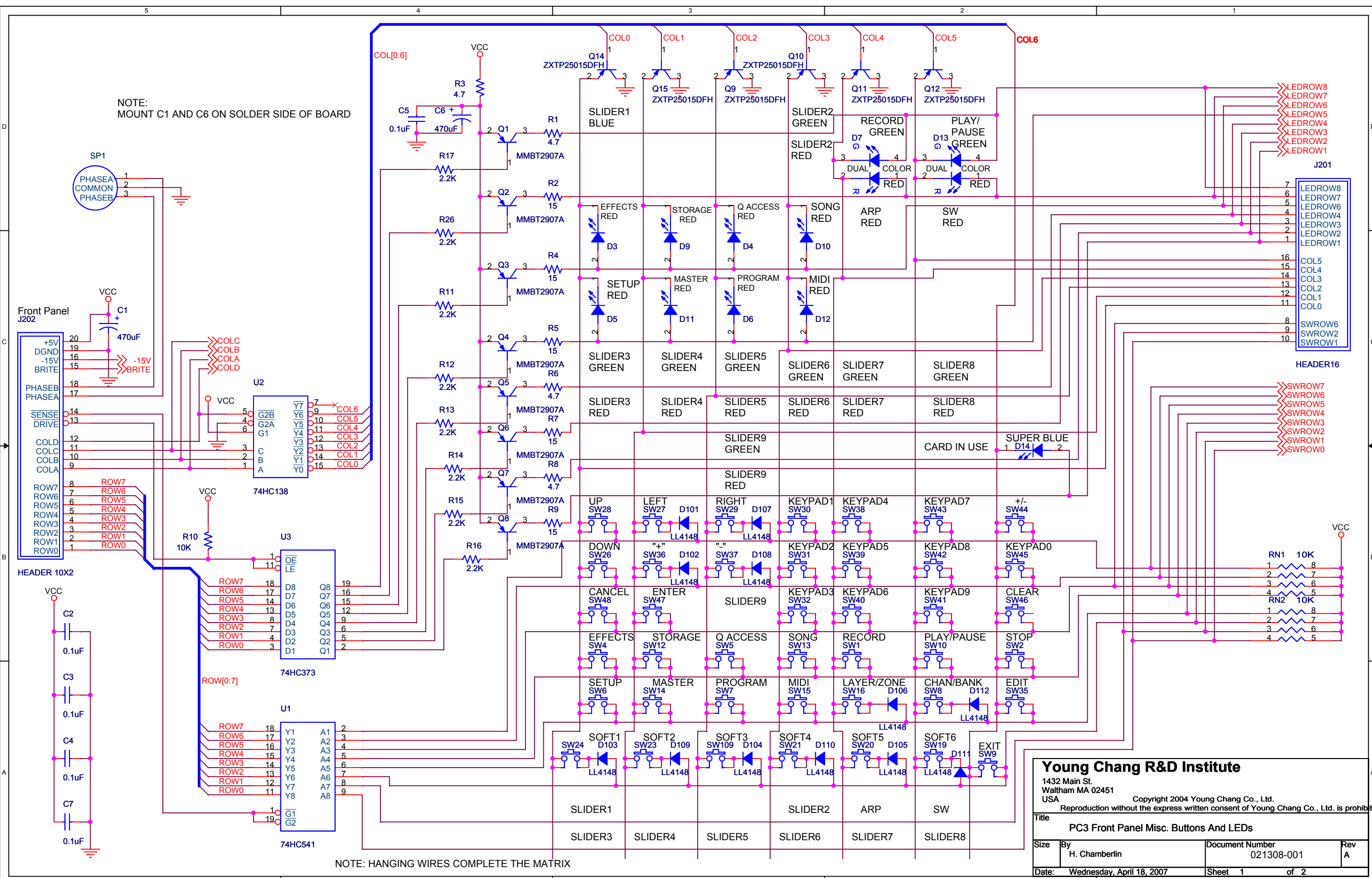


NOTE:
MOUNT C1 AND C6 ON SOLDER SIDE OF BOARD



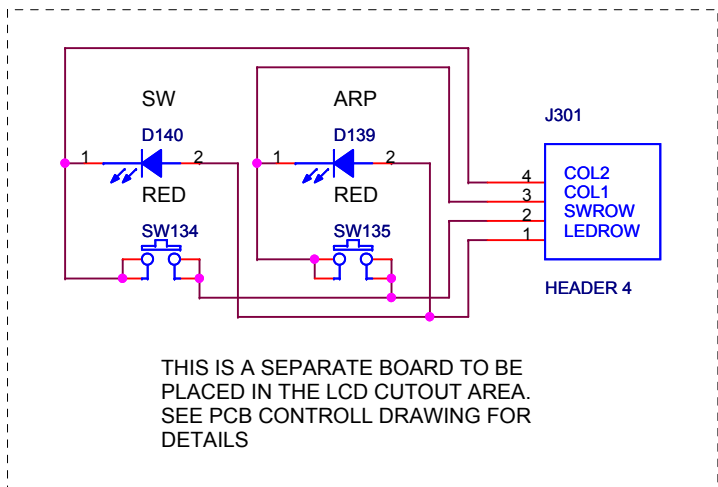
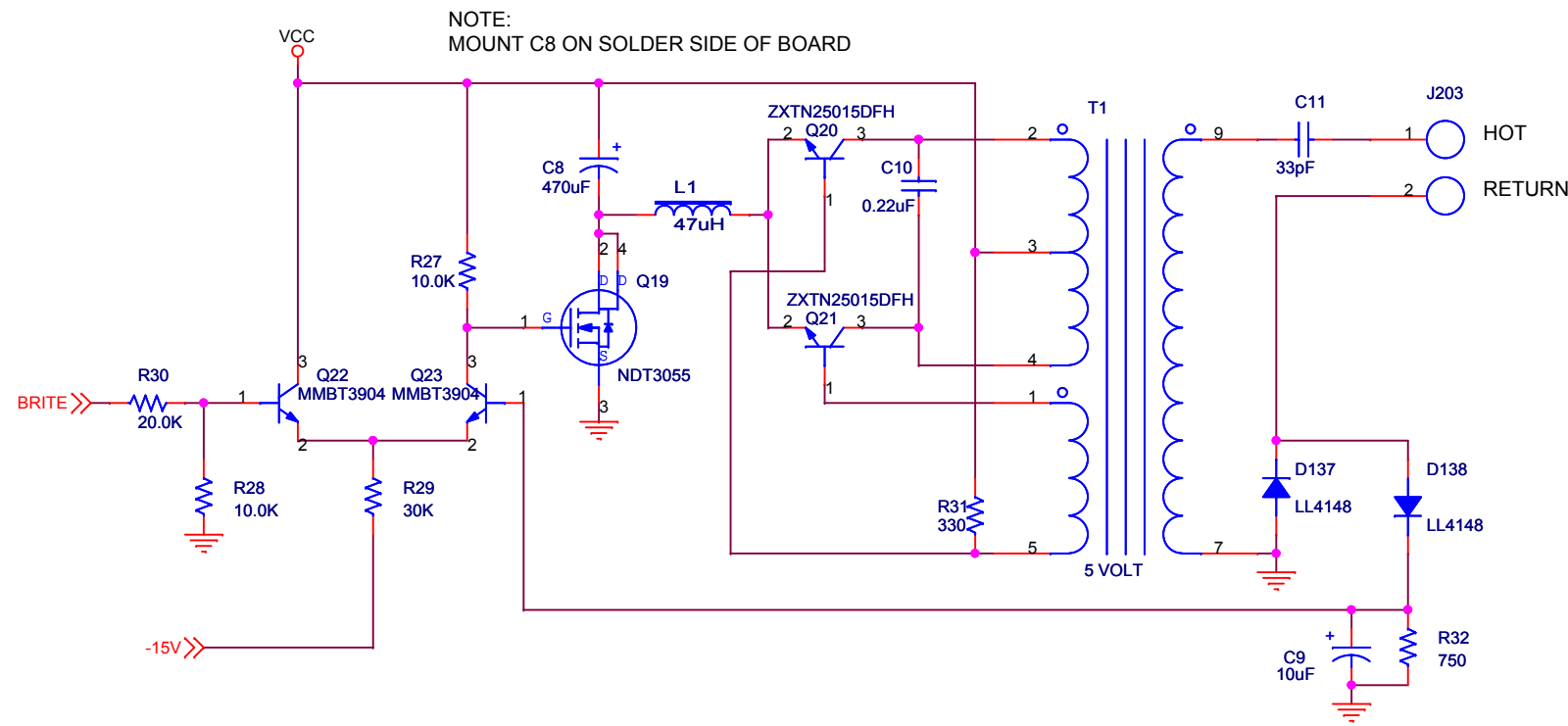
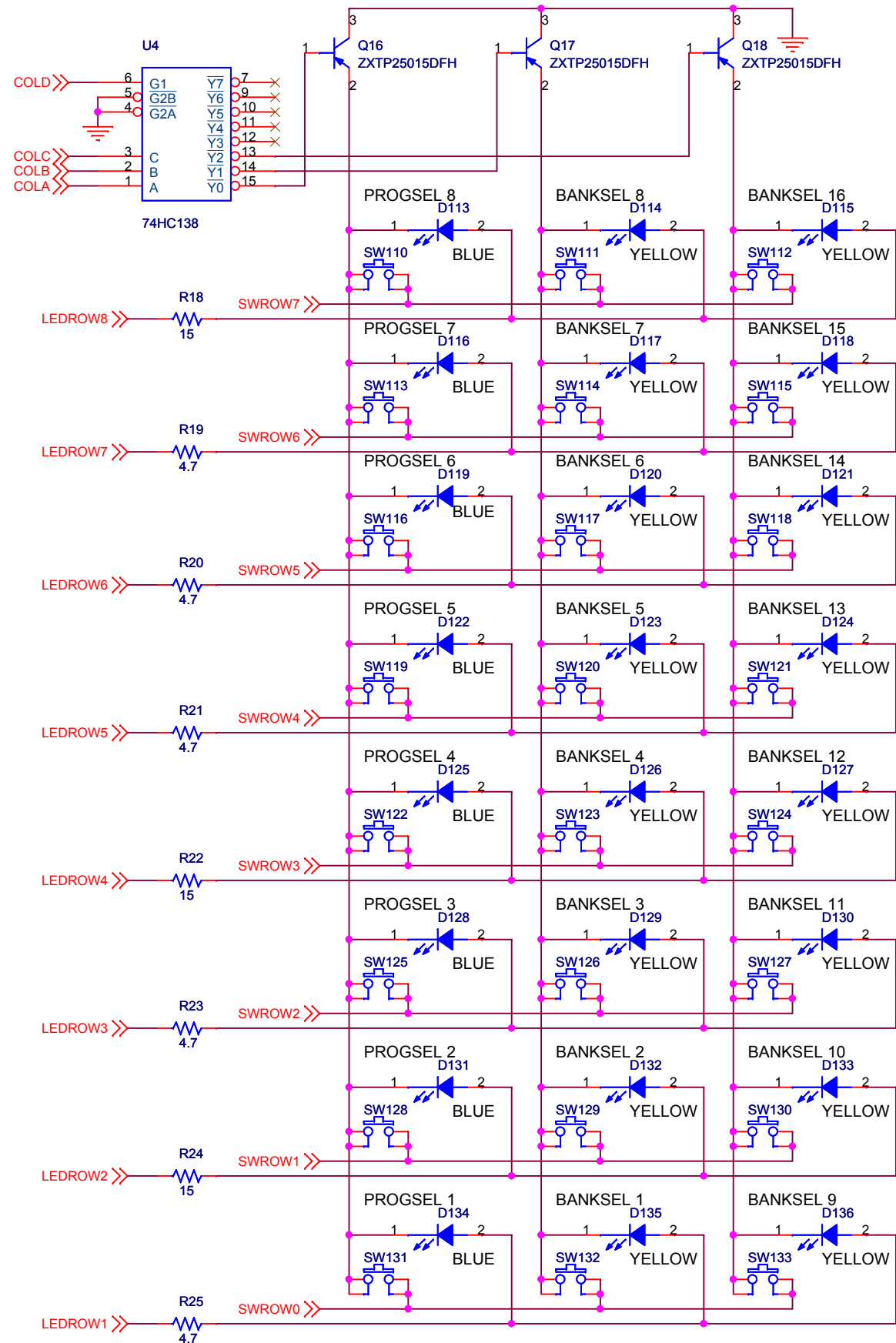
NOTE: HANGING WIRES COMPLETE THE MATRIX

Young Chang R&D Institute
 1432 Main St.
 Waltham MA 02451
 USA
 Copyright 2004 Young Chang Co., Ltd.
 Reproduction without the express written consent of Young Chang Co., Ltd. is prohibited.

Title: **PC3 Front Panel Misc. Buttons And LEDs**

Size	By: H. Chamberlin	Document Number: 021308-001	Rev: A
Date: Wednesday, April 18, 2007	Sheet 1	of 2	

PC3 FRONT PANEL BANK & PROGRAM SELECT BUTTONS AND LEDs



Young Chang R&D Institute			
1432 Main St. Waltham MA 02451 USA			
Copyright 2004 Young Chang Co., Ltd. Reproduction without the express written consent of Young Chang Co., Ltd. is prohibited.			
Title: PC3 Front Panel Bank & Program Buttons & LEDs			
Size	By: H. Chamberlin	Document Number: 021308-001	Rev: A
Date: Wednesday, April 18, 2007	Sheet: 2	of 2	