

# PHILIPS *Service* notes

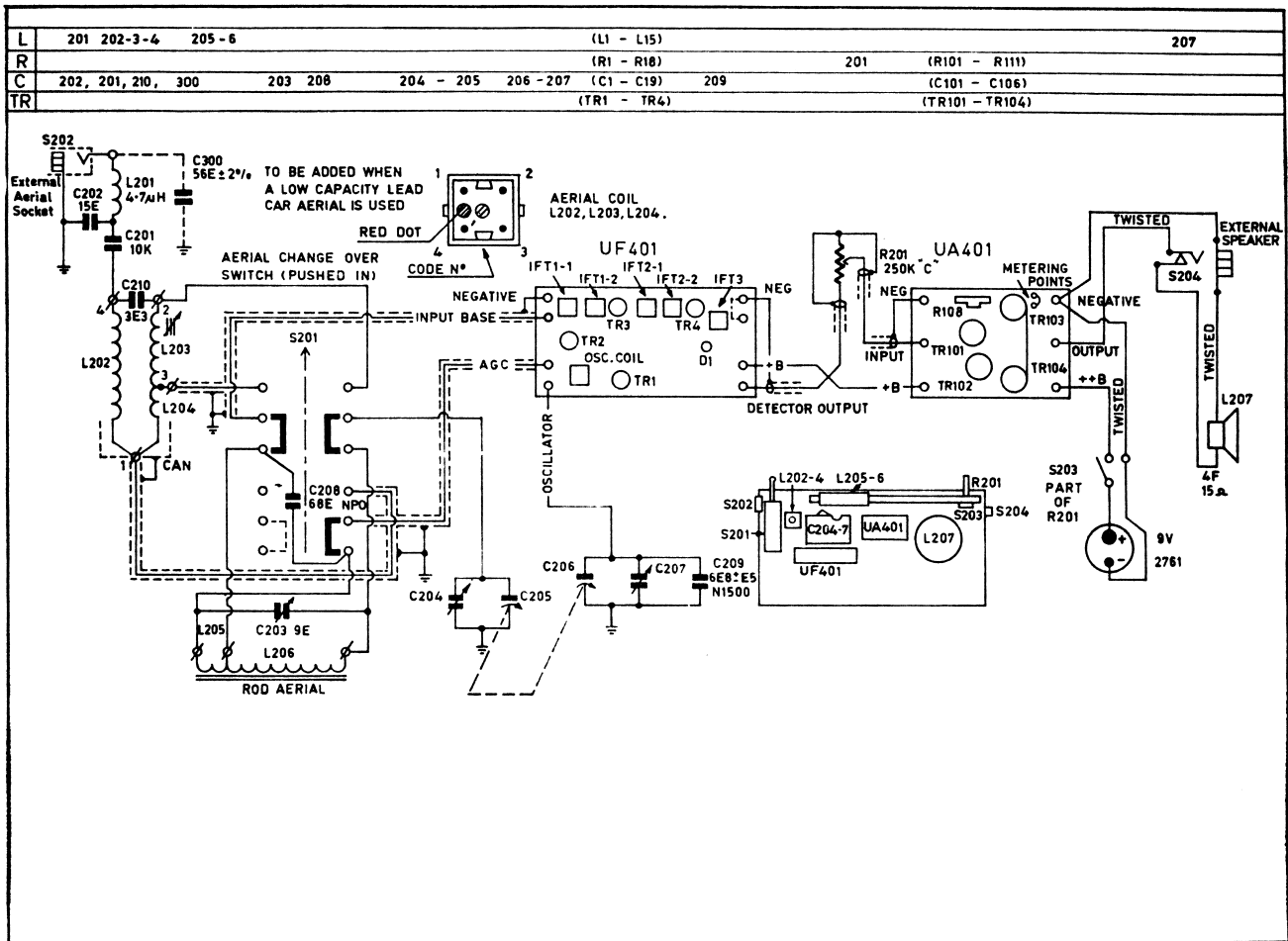
PA3

## MODEL PA3

### MODIFICATION SHEET

Later production receivers vary from the original in that C210 has been removed from across the volume control potentiometer. Also a capacitor, nominated C210, has been added as top coupling on the aerial coil. Details are — C210, 3E3 ceramic,  $\pm 0.5\text{pF}$ , N.P.O., C304.GB/L3E3.

The new interconnection drawing is shown below.



January, 1966

Published by Philips Electrical Pty. Ltd., Australia  
Branches in all States