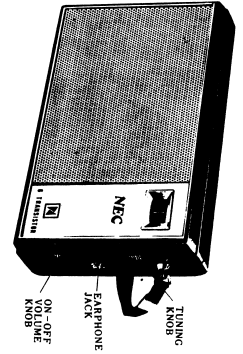
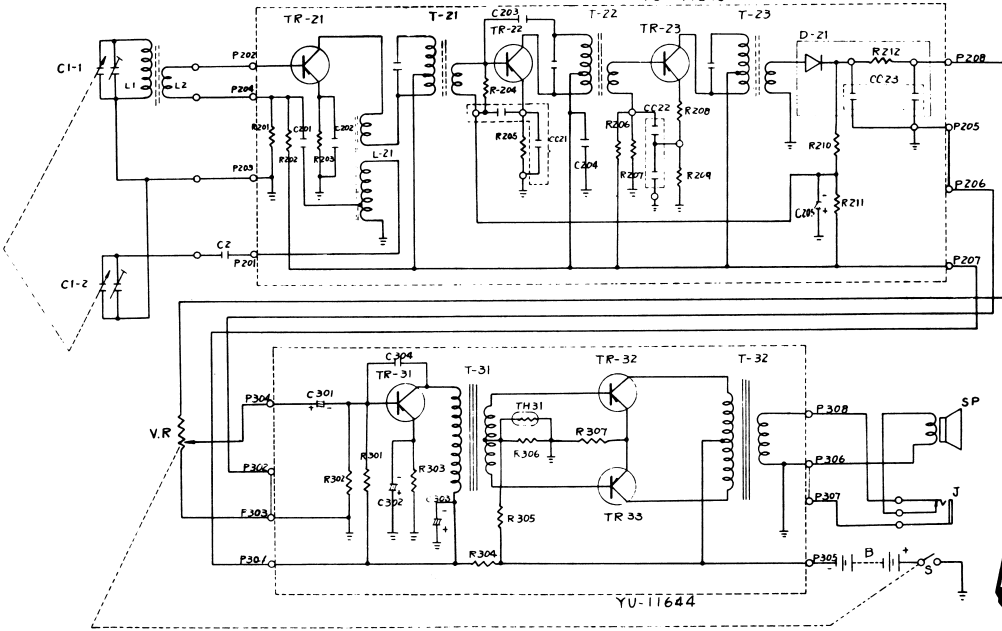


YU-11648



ITEM	NAME	RATING	SPECIFICATION	QTY
TR21	TRANSISTOR	2SA-285L		1
TR22	"	2SA-155		1
TR23	"	2SA-156		1
TR31	"	2SB-112		1
TR32	"	2SB-117		1
TR33	"	"		1
D21	DIODE	SD-46		1
TH31	THERMISTOR	D-325		1
L1, L2	ANTENNA COIL	100 x 4 x 12 μ/m	YSG-36156	1
L21	OSCILLATOR COIL	"	36146	1
T21	IF TRANSFORMER	"	35611A	1
T22	"	"	B	1
T23	"	"	C	1
T31	INPUT TRANSFORMER	5KΩ 3KΩ CT	TQ-5	1
T32	OUTPUT TRANSFORMER	750Ω 8Ω CT	TQ-6	1
C1-1, 2	DOUBLE POLYE VARIABLE RESISTOR		YSG-C11-2-1	1
C2	POLYETHYLENE CONDENSER	144.4PF ± 5%	C5-8-6J	1
C201	MYLER CONDENSER	0.0047 μF	C5-1-17M	1
C202	"	"	"	1
C203	CERAMIC	5L-0300 50V	C14-2	1
C204	MYLER	0.01 μF	C5-1-19M	1
C205	ELECTROLYTIC	3V 10 μF	C3-1-5	1
CC21	MYLER DOUBLE	0.01 μF ± 0.01 μF	C5-4-3M	1
CC22	"	"	"	1
CC23	"	0.02 μF ± 0.0047 μF	C5-4-2M	1
C301	ELECTROLYTIC	12V 2 μF	C3-1-41	1
C302	"	3V 10 μF	C3-1-5	1
C303	"	6V 30 μF	C3-1-20	1
C304	POLYETHYLENE	150 PF ± 10%	C5-2-8K	1
P201-8	TERMINAL BOARD		01-39794	2
P301-8	"		"	2

ITEM	NAME	RATING	SPECIFICATION	QTY
R201	CARBON RESISTOR	1/6W 3.3KΩ ± 5%	YSG-35376B	1
R202	"	30 Ω	"	1
R203	"	1.5KΩ	"	1
R204	"	560 Ω	"	1
R205	"	1.5KΩ	"	1
R206	"	30KΩ	"	1
R207	"	10KΩ	"	1
R208	"	62 Ω	"	1
R209	"	1.5KΩ	"	1
R210	"	15KΩ	"	1
R211	"	120KΩ	"	1
R212	"	2.2KΩ	"	1
R301	"	68KΩ	"	1
R302	"	22KΩ	"	1
R303	"	15KΩ	"	1
R304	"	15KΩ	"	1
R305	"	10KΩ	"	1
R306	"	260Ω	"	1
R307	"	22Ω	"	1
VR	VARIABLE RESISTOR WITH SWITCH	12*5KΩ	YSG-35379	1
SP	SPEAKER	6cm VC 8Ω	YSG-25051	1
J	EARPHON JACK		YSG-50087C	1
B	BATTERY	006P (9V)		1

NEC NT-6M31

N257