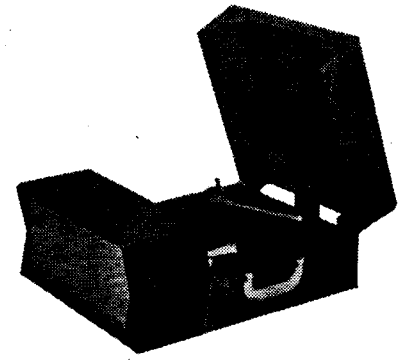


# PHILIPS PHONOGRAM

## MODEL NG1015



### SPECIFICATIONS

(Subject to alteration without notice)

|   |       |       |       |       |       |       |       |                     |
|---|-------|-------|-------|-------|-------|-------|-------|---------------------|
| Power Supply                            | ..... | ..... | ..... | ..... | ..... | ..... | ..... | 200-250V, 40-50 c/s |
| Av. Current Consumption (Amplifier)     | ..... | ..... | ..... | ..... | ..... | ..... | ..... | 95 mA               |
| Output at 10% total harmonic distortion | ..... | ..... | ..... | ..... | ..... | ..... | ..... | 1.35 watts          |
| Record Changer                          | ..... | ..... | ..... | ..... | ..... | ..... | ..... | NG1011              |
| Pick-up Head                            | ..... | ..... | ..... | ..... | ..... | ..... | ..... | AG3016              |
| Weight packed/unpacked                  | ..... | ..... | ..... | ..... | ..... | ..... | ..... | 24/21 lbs.          |

### VALVE EQUIPMENT

|                 |       |       |       |     |             |
|-----------------|-------|-------|-------|-----|-------------|
| Audio Amplifier | ..... | ..... | ..... | V1a | } Type 6BM8 |
| Power Amplifier | ..... | ..... | ..... | V1b |             |
| Rectifier       | ..... | ..... | ..... | V2  | Type 6V4    |

### PARTS LIST

#### RESISTORS

| No. | Description                              | Code No.   |
|-----|--|------------|
| R1  | 0.5MΩ pot. with D.P.S.T. switch (volume) | CZ.032.026 |
| R2  | 150kΩ ½W carbon                          |            |
| R3  | 0.5MΩ pot. taper "C" (tone)              |            |
| R4  | 10MΩ ½W carbon                           |            |
| R5  | 47Ω ± 5% ½W carbon                       |            |
| R6  | 270Ω ± 20% ½W carbon                     |            |
| R7  | 270kΩ ½W carbon                          |            |
| R8  | 470kΩ ½W carbon                          |            |
| R9  | 470Ω ± 5% 1W carbon                      |            |
| R10 | 4.7kΩ 1W carbon                          |            |

All tolerances are ± 10% unless otherwise specified.

#### CAPACITORS

| No. | Description            | Type or Code No. |
|-----|------------------------|------------------|
| C1  | 0.0022μF 200V paper    |                  |
| C2  | 0.01μF 400V paper      |                  |
| C3  | 0.022μF 200V paper     |                  |
| C4  | 0.01μF 400V paper      |                  |
| C5  | 25μF 40V electrolytic  |                  |
| C6  | 8μF 350V electrolytic  |                  |
| C7  | 24μF 350V electrolytic |                  |

All tolerances are ± 20% unless otherwise specified.

#### INDUCTORS

|          |                    |             |
|----------|--------------------|-------------|
| L1, 2    | Output transformer | Rola EBG96  |
| L3, 4, 5 | Power transformer  | A&R PT.1818 |
| L6       | Speaker            | Rola 5x7H   |

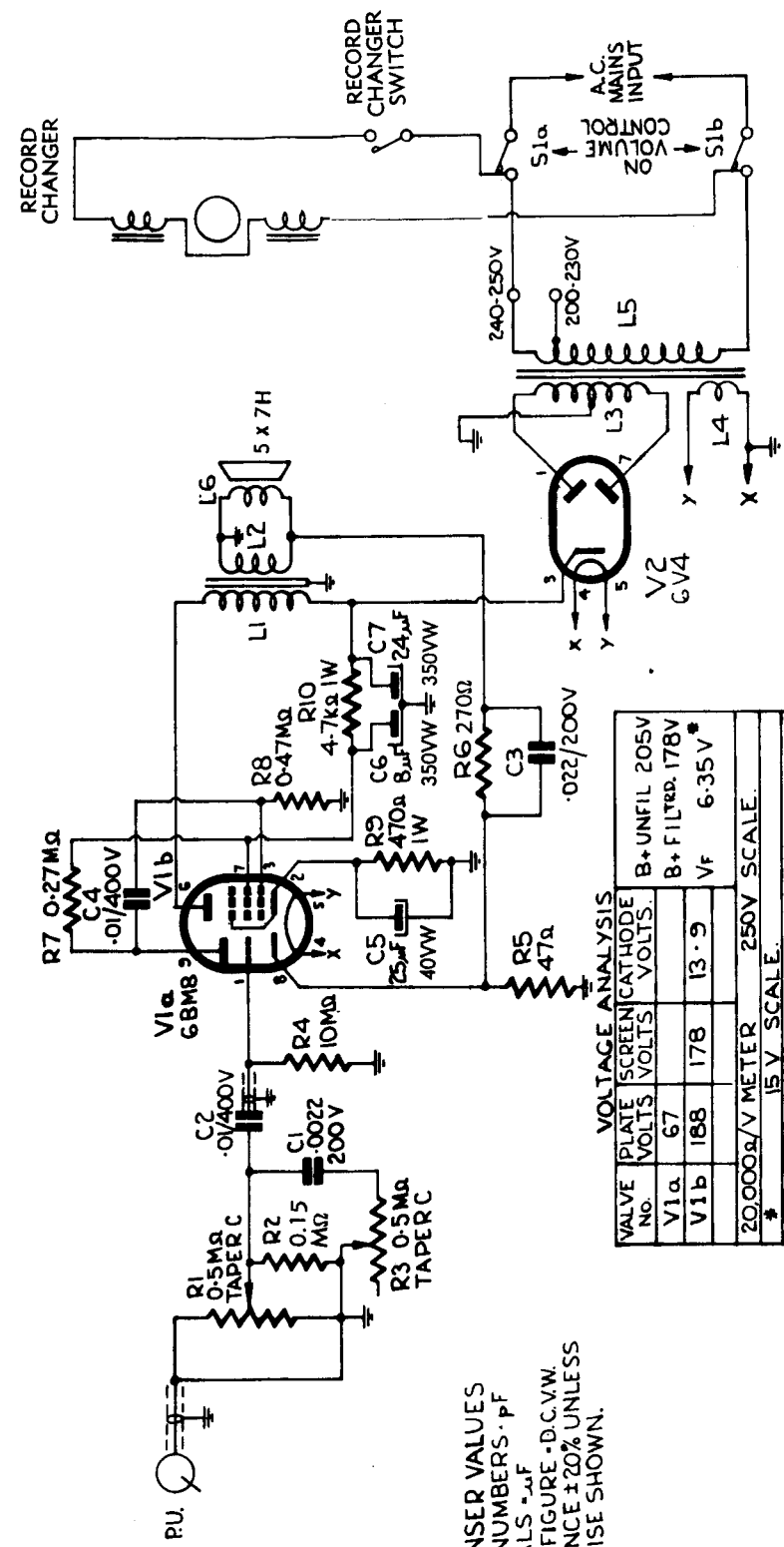
### MISCELLANEOUS COMPONENTS

| Description                    | Code No.   | Description              | Code No.  |
|--------------------------------|------------|--------------------------|-----------|
| Badge                          | CR.531.408 | Nipple, screw            | P5.515.65 |
| Bush, rubber turntable support | CS.424.178 | Name "Philips"           | A3.308.24 |
| Clip, retaining, P/U arm       | CS.282.463 | Spring Assy., plate mtg. | 49.946.94 |
| Knob, x2                       | CR.523.741 |                          |           |

For the items comprising the record changer refer Model NG1011 Service Data

**IMPORTANT!** When ordering spare parts, quote **CODE NUMBER** of part and **MODEL NUMBER** of Receiver. In claiming free replacement under **GUARANTEE**, return defective part **PROMPTLY** and quote **MODEL** and **SERIAL NUMBER** of Receiver and **DATE OF PURCHASE**.

|   |   |     |   |   |    |    |   |   |   |    |   |   |   |   |   |
|---|---|-----|---|---|----|----|---|---|---|----|---|---|---|---|---|
| L | 1 | 2   | 3 | 4 | 5  | 6  | 7 | 8 | 9 | 10 | 1 | 2 | 3 | 4 | 5 |
| C |   |     |   |   |    |    |   |   |   |    |   |   |   |   |   |
| R | 1 | 2,3 |   |   |    |    |   |   |   |    |   |   |   |   |   |
| V |   |     |   |   | 1a | 1b |   |   |   |    |   |   |   |   | 2 |



**NOTE:-**

CONDENSER VALUES  
WHOLE NUMBERS · PF  
DECIMALS · μF  
SECOND FIGURE · D.C.V.W.  
TOLERANCE ±20% UNLESS  
OTHERWISE SHOWN.

**VOLTAGE ANALYSIS**

| VALVE No. | PLATE VOLTS | SCREEN VOLTS | CATHODE VOLTS |
|-----------|-------------|--------------|---------------|
| V1a       | 67          |              |               |
| V1b       | 188         | 178          |               |
| Vf        |             |              | 6.35V*        |

20,000Ω/V METER 250V SCALE.  
\* 15V SCALE.  
MEASURED FROM CHASSIS.