

PHILIPS PHONOGRAM

MODEL NG1014



SPECIFICATIONS

(Subject to alteration without notice)

Power Supply	200-250V, 40-50 c/s
Av. Current Consumption	95 mA
Output at 10% total harmonic distortion	1.35 watts
Record Player	NG1009
Pick-up Head (monaural)	AG3016
Weight packed/unpacked	18/15 lbs.

Stereo Operation: This Phonogram is directly adaptable for stereo record reproduction with CZ.361.903 extension lead attachment when operated in conjunction with a suitable second channel amplifier and loudspeaker unit — see detail on circuit diagram overleaf. Alternative pick-up head type AG3063 (sapphire stylus) or AG3060 (diamond stylus) and associated pick-up arm counterbalance weight NG1023 must be fitted.

VALVE EQUIPMENT

Audio Amplifier	V1a	} Type 6BM8
Power Amplifier	V1b	
Rectifier	V2	Type 6V4

PARTS LIST

RESISTORS

No.	Description	Code No.
R1	0.5M Ω pot. with D.P.S.T. switch (volume)	CZ.032.026
R2	270k Ω $\frac{1}{2}$ W carbon	
R3	0.5M Ω pot. taper "C" (tone)	
R4	10M Ω $\frac{1}{2}$ W carbon	
R5	47 Ω \pm 5% $\frac{1}{2}$ W carbon	
R6	680 Ω \pm 20% $\frac{1}{2}$ W carbon	
R7	270k Ω $\frac{1}{2}$ W carbon	
R8	470k Ω $\frac{1}{2}$ W carbon	
R9	470 Ω \pm 5% 1W carbon	
R10	4.7k Ω 1W carbon	

All tolerances are \pm 10% unless otherwise specified.

CAPACITORS

No.	Description	Type or Code No.
C1	0.0022 μ F 200V paper	
C2	0.01 μ F 400V paper	
C3	0.022 μ F 200V paper	
C4	0.01 μ F 400V paper	
C5	25 μ F 40V electrolytic	
C6, 7	8 μ F + 24 μ F, 350V electrolytic	

All tolerances are \pm 20% unless otherwise specified.

INDUCTORS

No.	Description	Type or Code No.
L1, 2	Output transformer	Rola EBG96
L3, 4, 5	Power transformer	A&R PT.1818
L6	Loudspeaker	Rola 5CF87

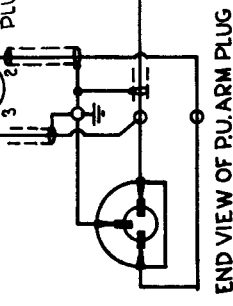
MISCELLANEOUS COMPONENTS

Description	Code No.	Description	Code No.
Badge	CR.531.423	Nipple, screw	P5.515.65
Bush, rubber turntable support	CS.424.178	Name "Philips"	A3.308.24
Clip, retaining, P/U arm	CS.210.606	Spring Assy., motor board	49.946.94
Knob, x2	CR.523.731		

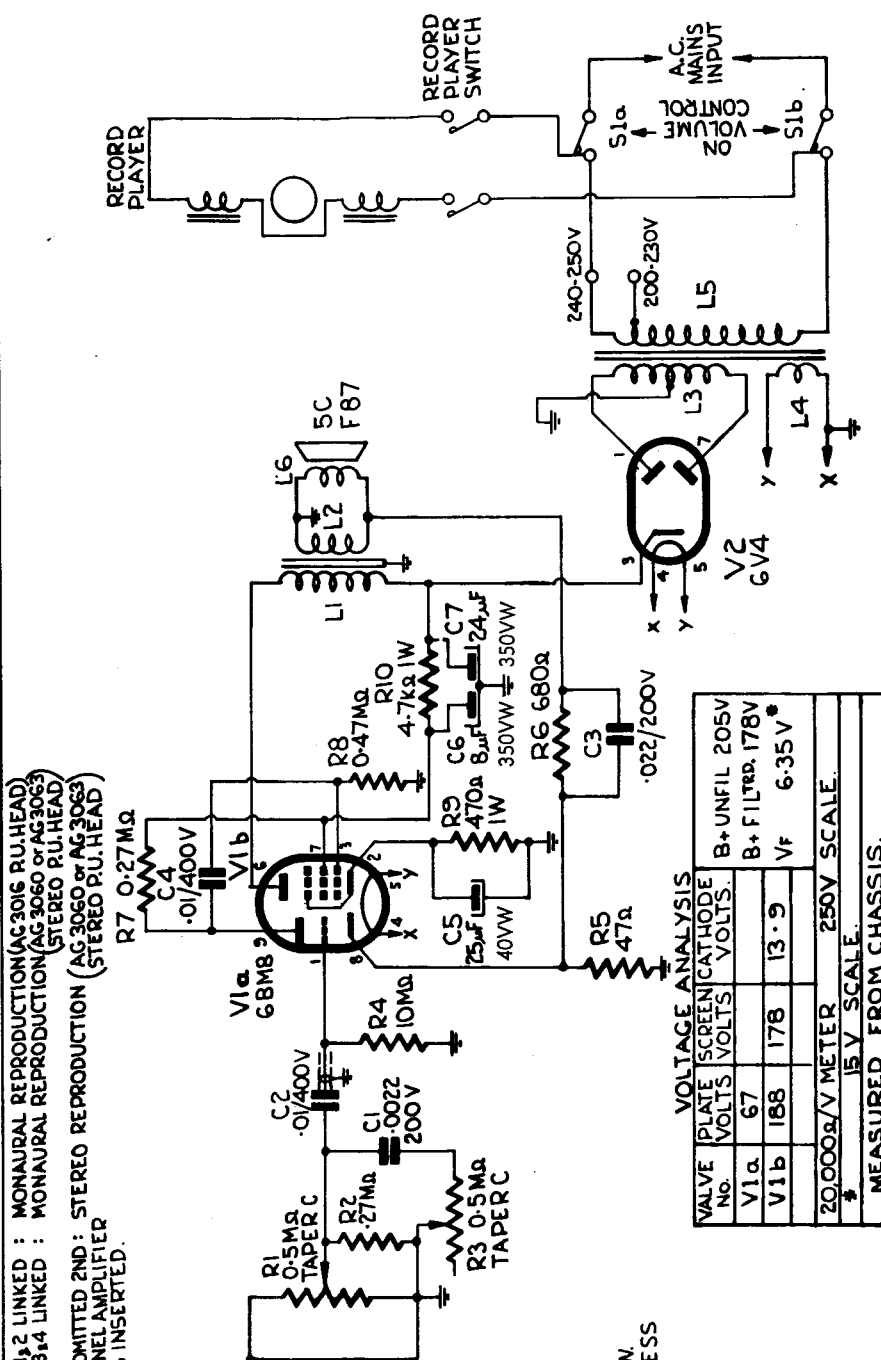
For the items comprising the record player refer Model NG1009 Service Data

IMPORTANT! When ordering spare parts, quote **CODE NUMBER** of part and **MODEL NUMBER** of Receiver. In claiming free replacement under **GUARANTEE**, return defective part **PROMPTLY** and quote **MODEL** and **SERIAL NUMBER** of Receiver and **DATE OF PURCHASE**.

L	1	2	3	4	5	6	7	8	9	10	1	2	3	4	5
C															
R															
V															



PINS 1,2 LINKED : MONAURAL REPRODUCTION (AG 3016 P.U. HEAD)
 PINS 3,4 LINKED : MONAURAL REPRODUCTION (AG 3060 or AG 3063 STEREO P.U. HEAD)
 LINK OMITTED 2ND : STEREO REPRODUCTION (AG 3060 or AG 3063 CHANNEL AMPLIFIER STEREO P.U. HEAD)
 PLUG INSERTED.



NOTE :-
 CONDENSER VALUES
 WHOLE NUMBERS . P.F
 DECIMALS . μF
 SECOND FIGURE . D.C.V.W.
 TOLERANCE ±20% UNLESS
 OTHERWISE SHOWN.

VOLTAGE ANALYSIS

VALVE	PLATE VOLTS	SCREEN/CATHODE VOLTS	B+ UNFIL 205V
V1a	67	178	B+ FILTER 178V
V1b	188	13.9	Vf 6.35 V*
20,000Ω/V METER			250V SCALE.
#			15V SCALE.
MEASURED FROM CHASSIS.			