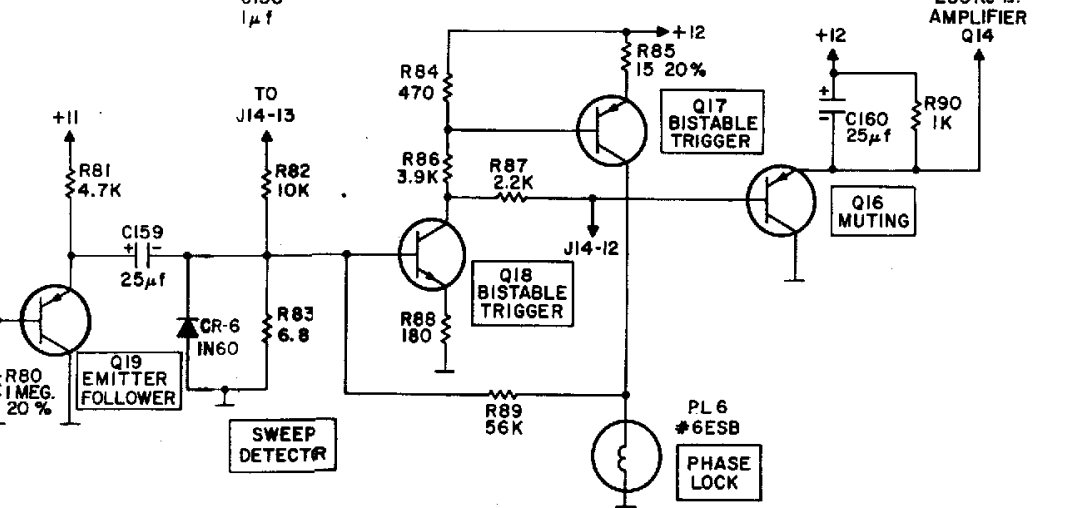
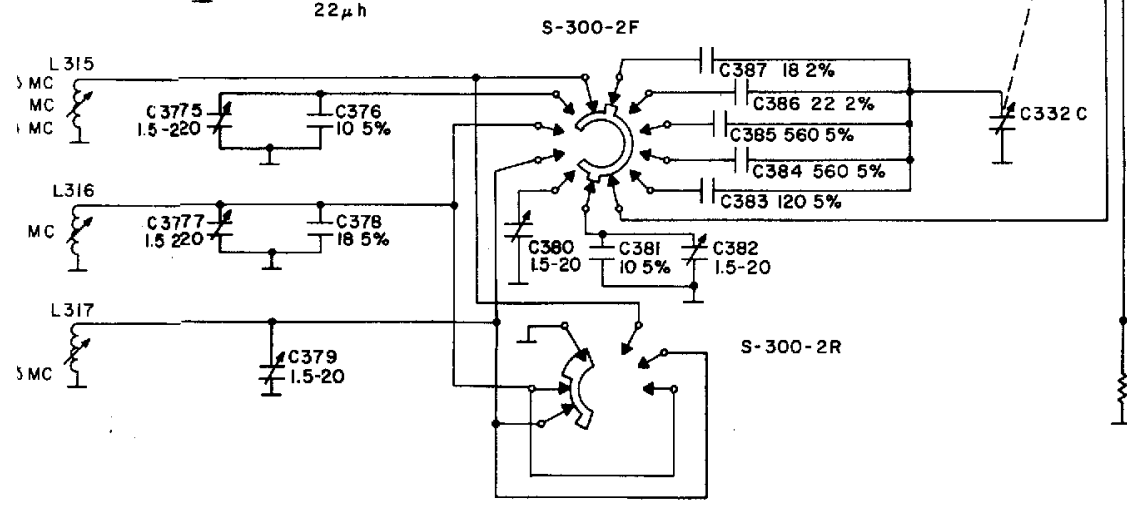
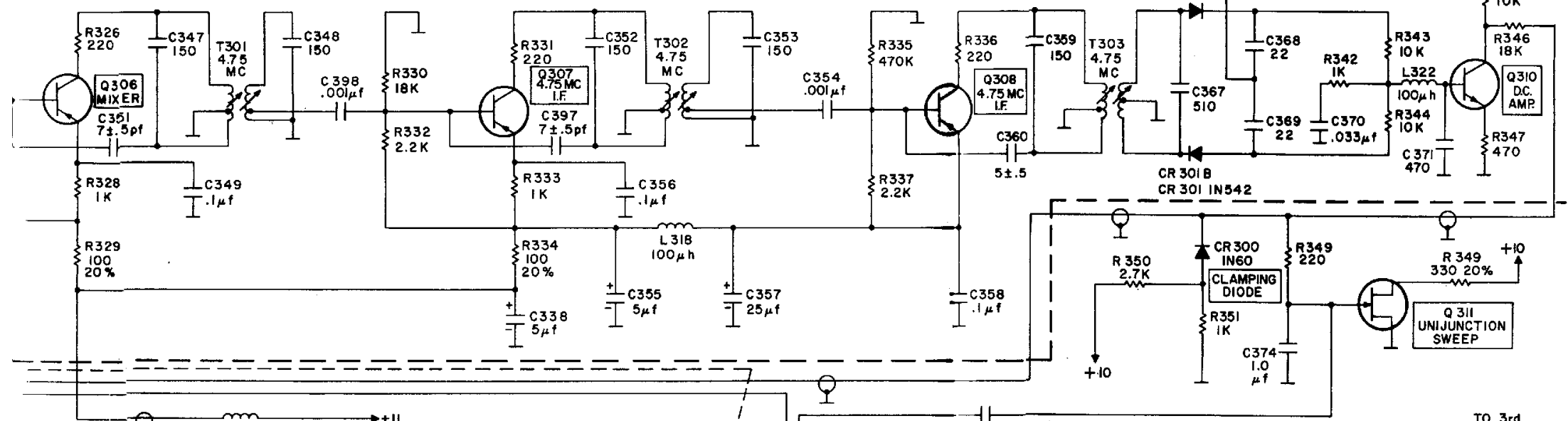
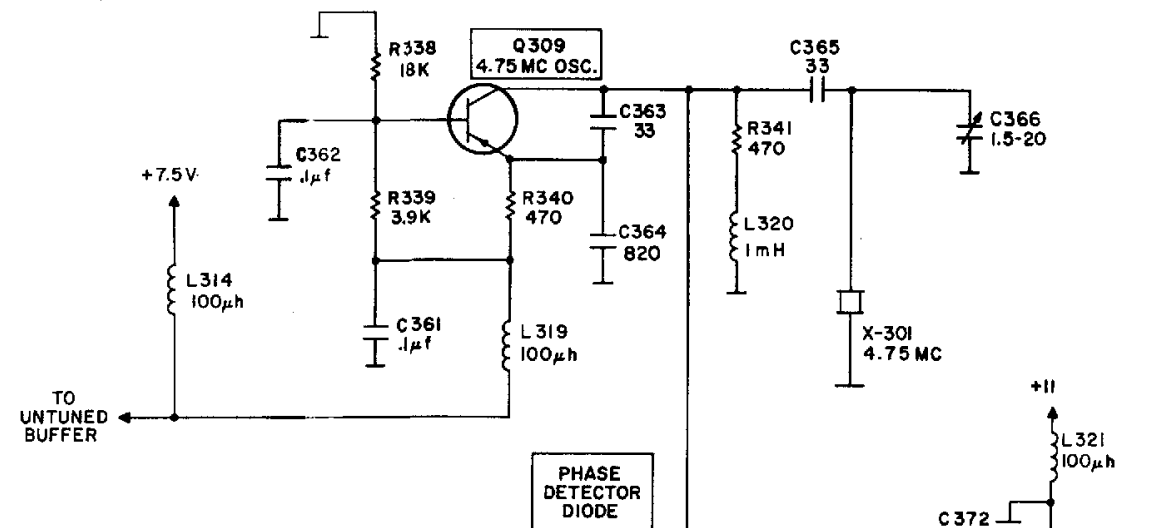
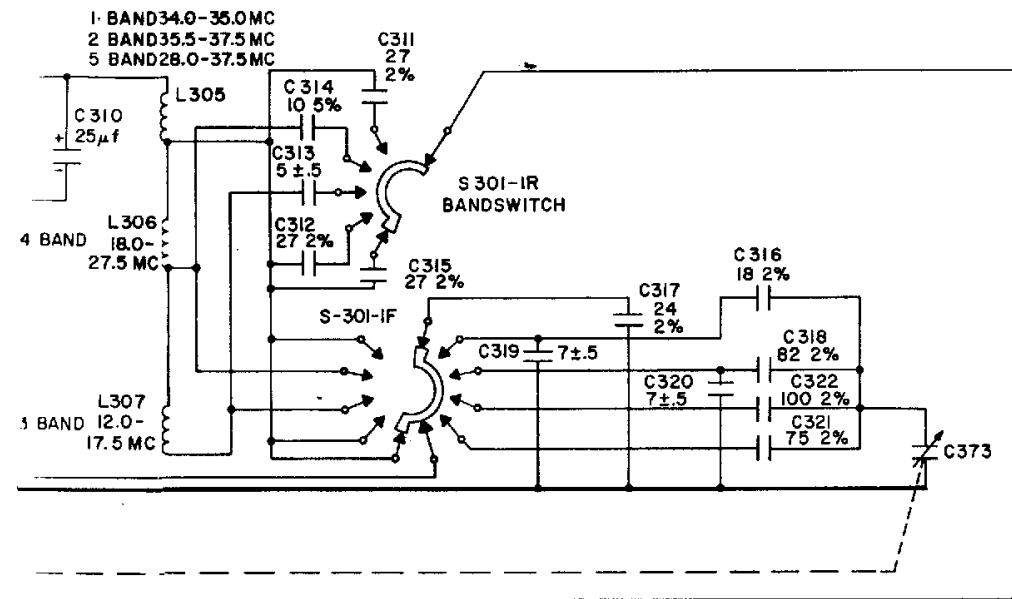
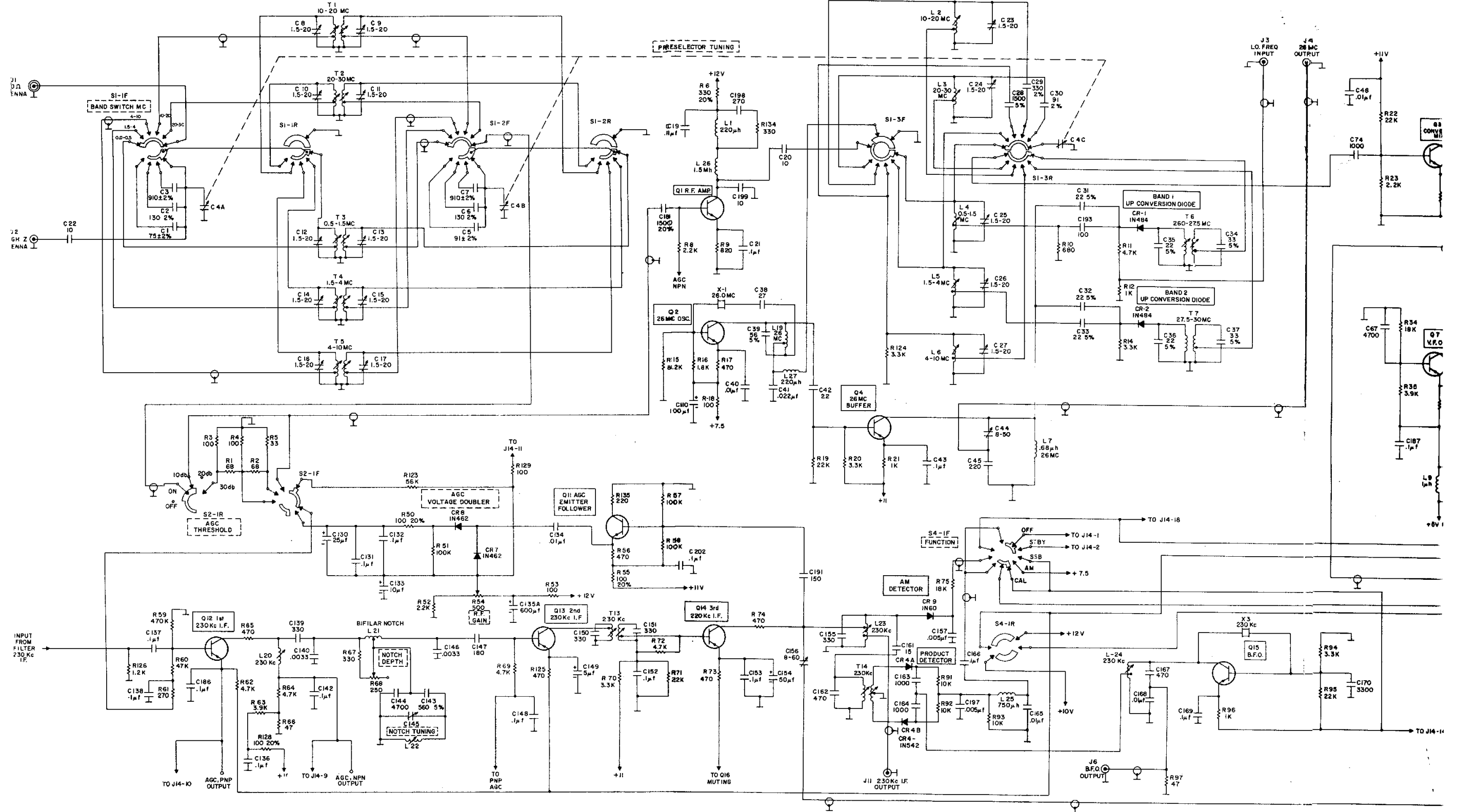
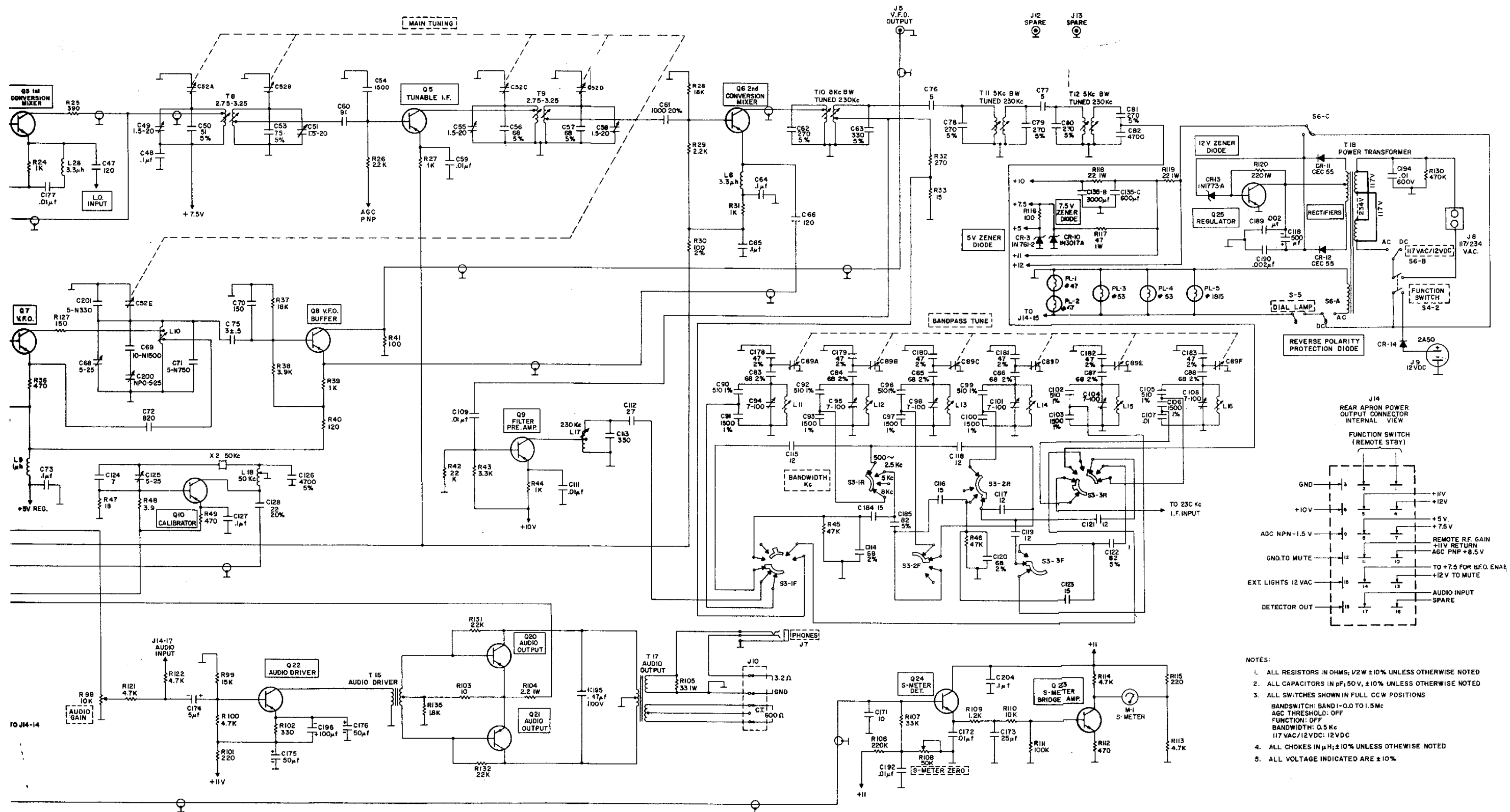


- NOTE:
1. ALL RESISTORS IN OHMS 1/2 W ± 10% UNLESS OTHERWISE NOTED
  2. ALL CAPACITORS IN  $\mu$ F, ± 10%, 50V UNLESS OTHERWISE NOTED
  3. BANDSWITCH SHOWN IN FULL CCW POSITION (BAND 1-0.0 TO 1.5 MC)
  4. ALL CHOKES IN  $\mu$ H ± 10% UNLESS OTHERWISE NOTED
  5. ALL PORTIONS BELOW DOTTED LINES ARE MOUNTED TO MAIN CHASSIS







SCHMATIC DIAGRAM—RECEIVER  
FIGURE 50

- NOTES:
1. ALL RESISTORS IN OHMS; 1/2 W ± 10% UNLESS OTHERWISE NOTED
  2. ALL CAPACITORS IN μF; 50 V, ± 10% UNLESS OTHERWISE NOTED
  3. ALL SWITCHES SHOWN IN FULL CCW POSITIONS  
BANDSWITCH: BAND 1-0.0 TO 1.5 Mc  
AGC THRESHOLD: OFF  
FUNCTION: OFF  
BANDWIDTH: 0.5 Kc  
117 VAC/12 VDC: 12 VDC
  4. ALL CHOKES IN μH; ± 10% UNLESS OTHERWISE NOTED
  5. ALL VOLTAGE INDICATED ARE ± 10%

www.everything4lessstore.com