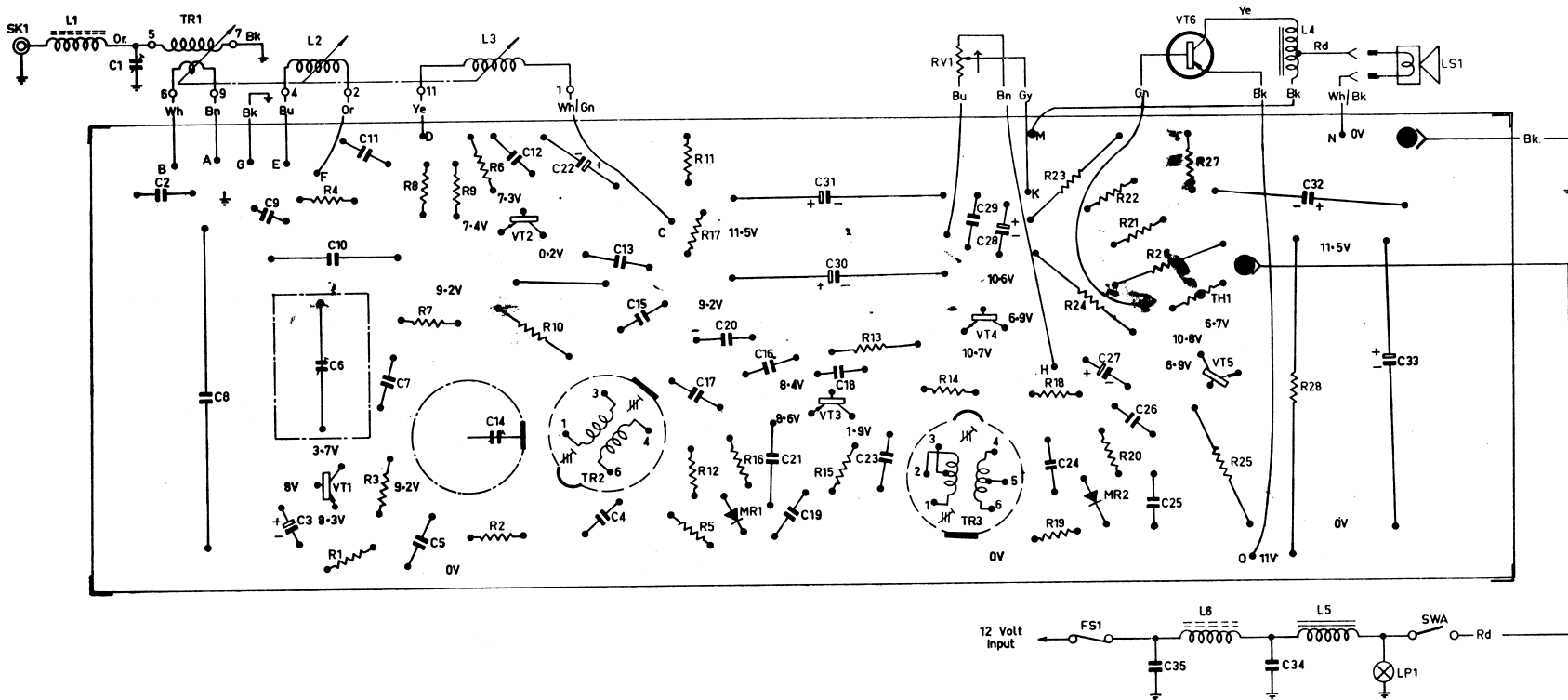
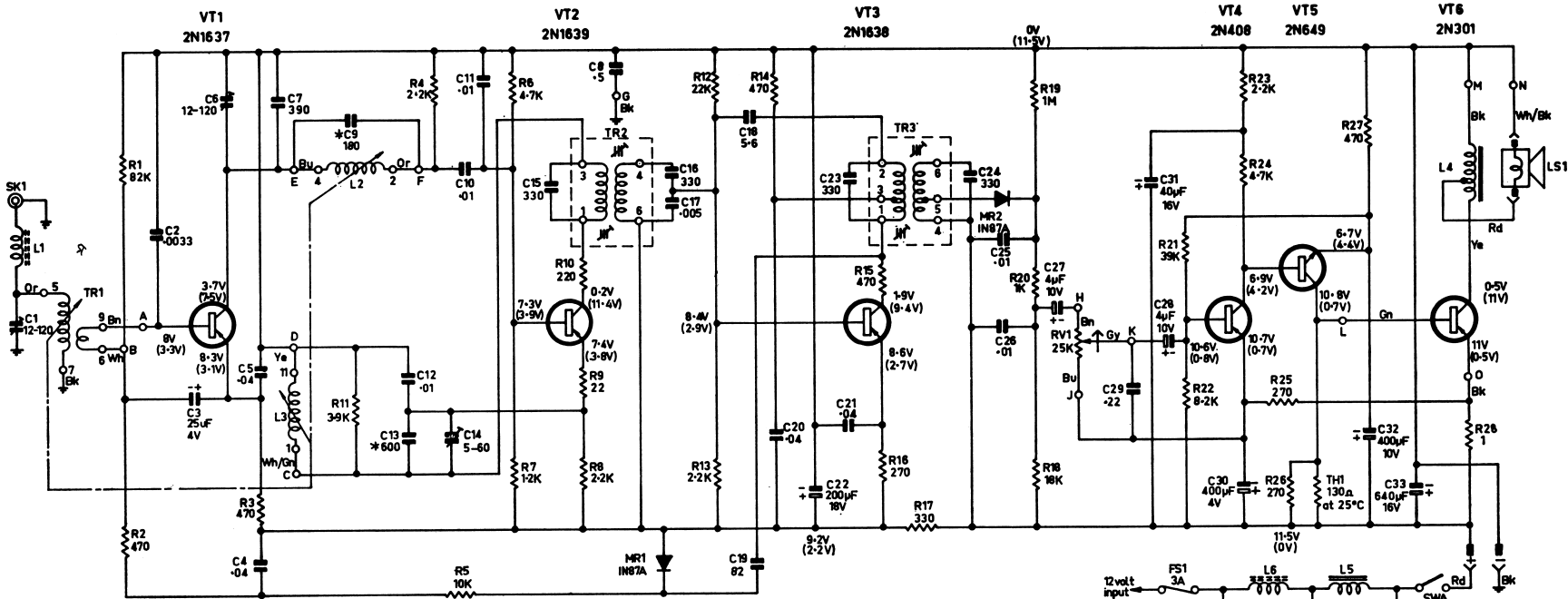


## A.W.A. 6 TRANSISTOR CRUISER CAR RADIO MODEL MFI6

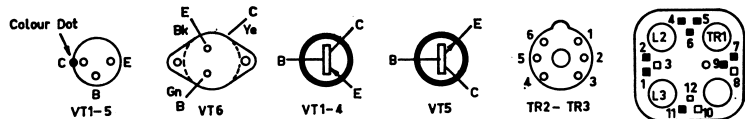


All voltages shown are positive with respect to the board earth (negative rail in negative earth position) and measured with no signal input and volume maximum clockwise using a 20,000 ohm/volt meter.

# A.W.A. 6 TRANSISTOR CRUISER CAR RADIO MODEL MF16



**BASE CONNECTIONS**



**NOTES:** Arrow on potentiometer indicates direction of clockwise rotation. Voltages measured with 20,000 ohm/volt meter with no signal input. Voltages in brackets are negative with respect to the chassis ie when positive rail is earthed.  
\* May vary in production.