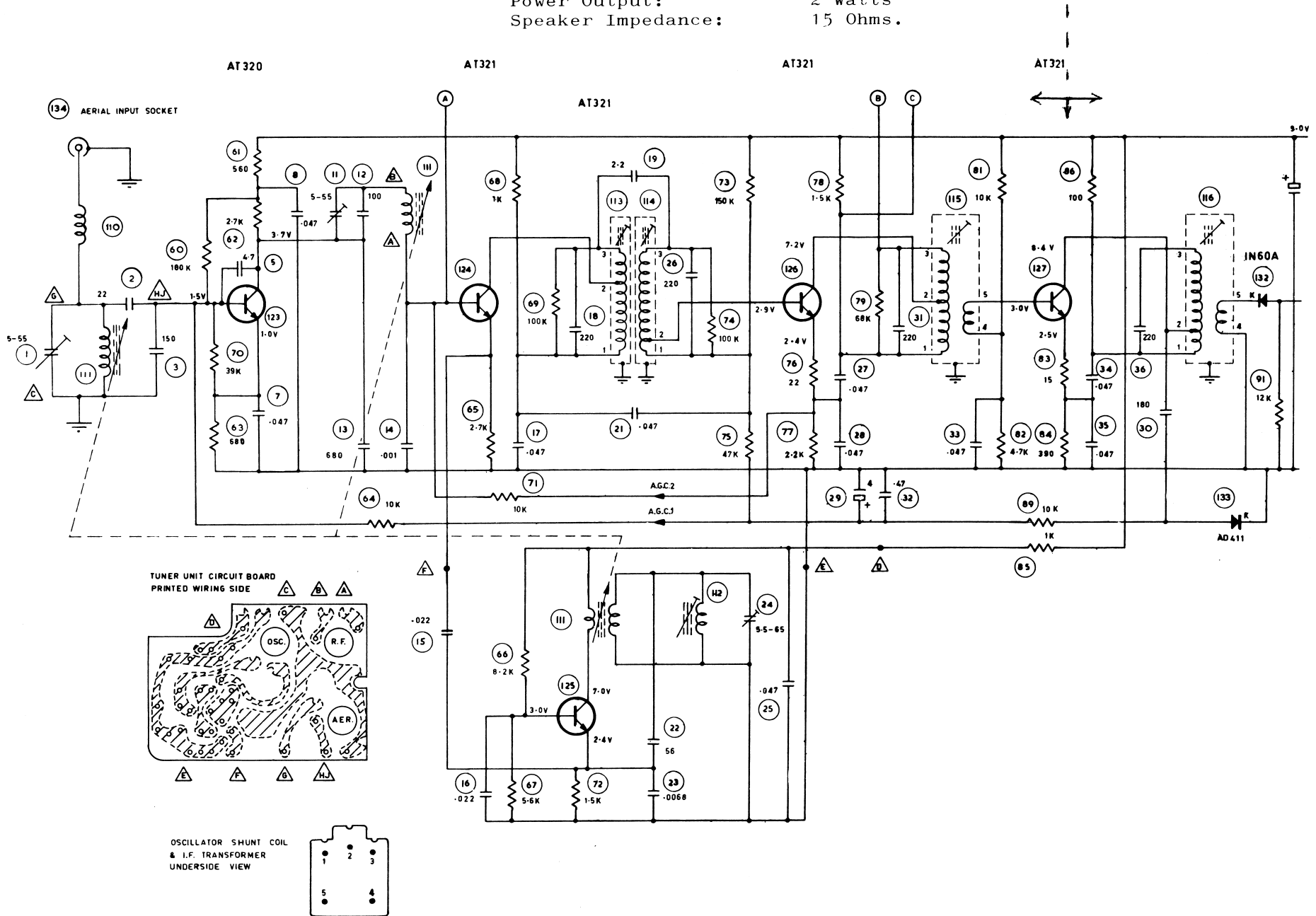


Astor MD-C23Y

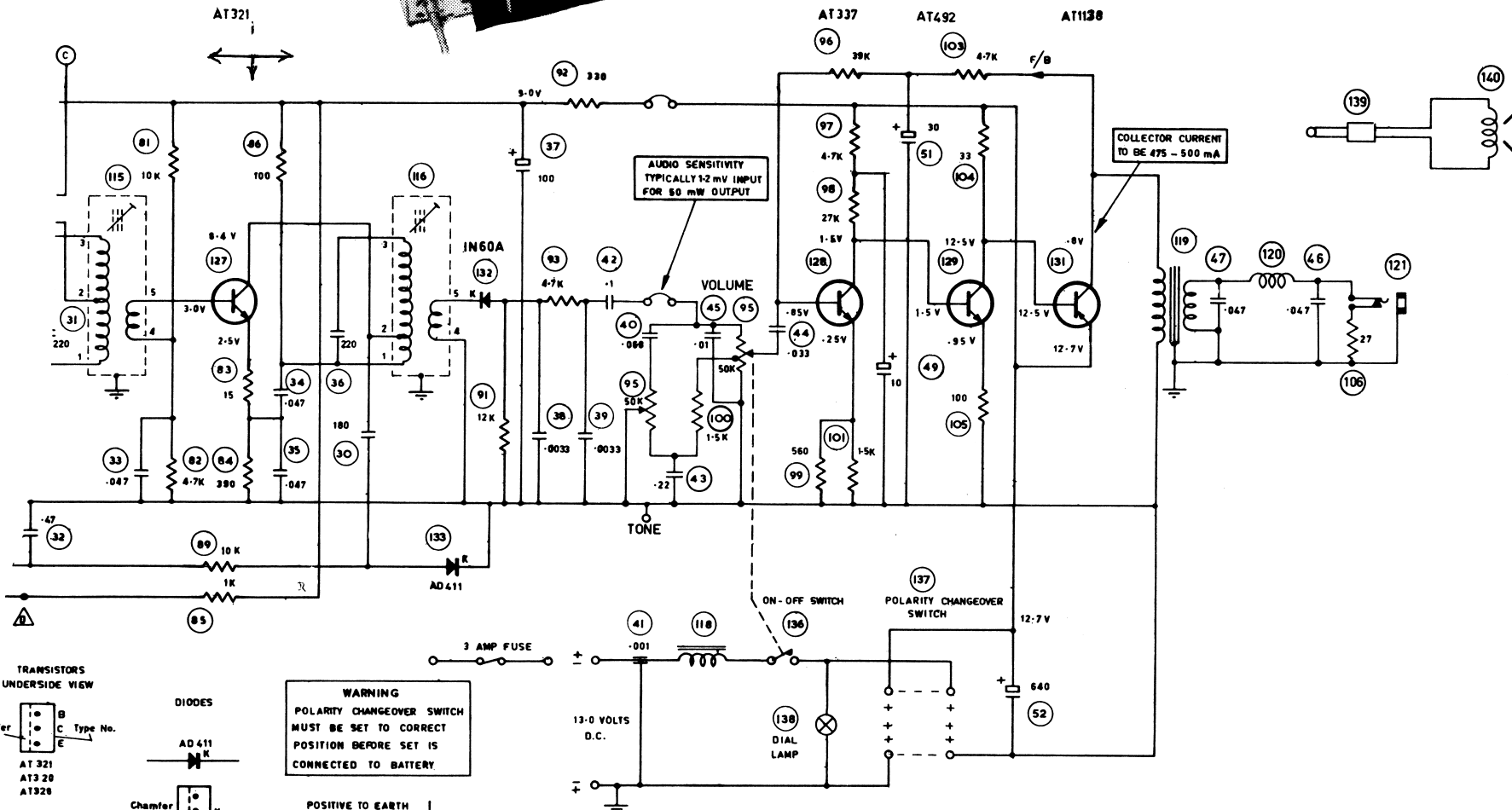
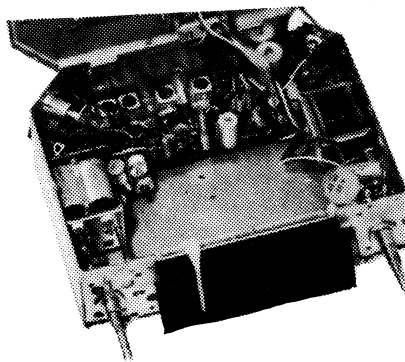
Tuning Range: 525 - 1615 KHz
 Intermediate Frequency: 455 KHz
 Supply Voltage: 13.0 Volts D.C.
 Current Consumption: 650 MilliAmps
 Power Output: 2 Watts
 Speaker Impedance: 15 Ohms.



MANUALLY TUNED

8 TRANSISTOR 12 VOLT CAR RADIO

DESIGNED FOR DUAL POLARITY OPERATION



AUDIO SENSITIVITY
TYPICALLY 1-2 mV INPUT
FOR 60 mW OUTPUT

COLLECTOR CURRENT
TO BE 475 - 500 mA

WARNING
POLARITY CHANGEOVER SWITCH
MUST BE SET TO CORRECT
POSITION BEFORE SET IS
CONNECTED TO BATTERY

POSITIVE TO EARTH
POSITION

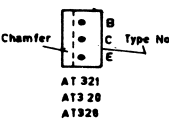
NEGATIVE TO EARTH
POSITION

POLARITY CHANGEOVER SWITCH
UNDERSIDE EXTERNAL VIEW

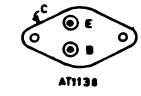
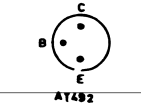
NOTE: (B) DENOTES TEST POINT
ALL VOLTAGES MEASURED BETWEEN POINTS
INDICATED AND CHASSIS WITH A D.C.
VACUUM TUBE VOLTMETER.

NUMBERS ASSIGNED TO TERMINALS OF COILS
AND TRANSFORMERS ARE TO FACILITATE
CIRCUIT TRACING AND COMPONENT REPLACEMENT
AND MAY NOT BE FOUND ON THE UNIT.

TRANSISTORS
UNDERSIDE VIEW



DIODES



MODEL MD-C23Y

MANUAL TUNING . 8 TRANSISTOR
DUAL POLARITY

| DRAWN | DATE | CHK'D | APP'D | DATE |
|----------|---------|-------|-------|---------|
| R. J. A. | 19-2-70 | D.M. | W.D. | 19-2-70 |

A20

Astor MD-C23Y

CIRCUIT BOARD DIAGRAM

MODEL MD-C23Y

MANUAL TUNING 8 TRANSISTOR
DUAL POLARITY

PRINTED WIRING SIDE

