

6

5

4

3

2

1

D

D

C

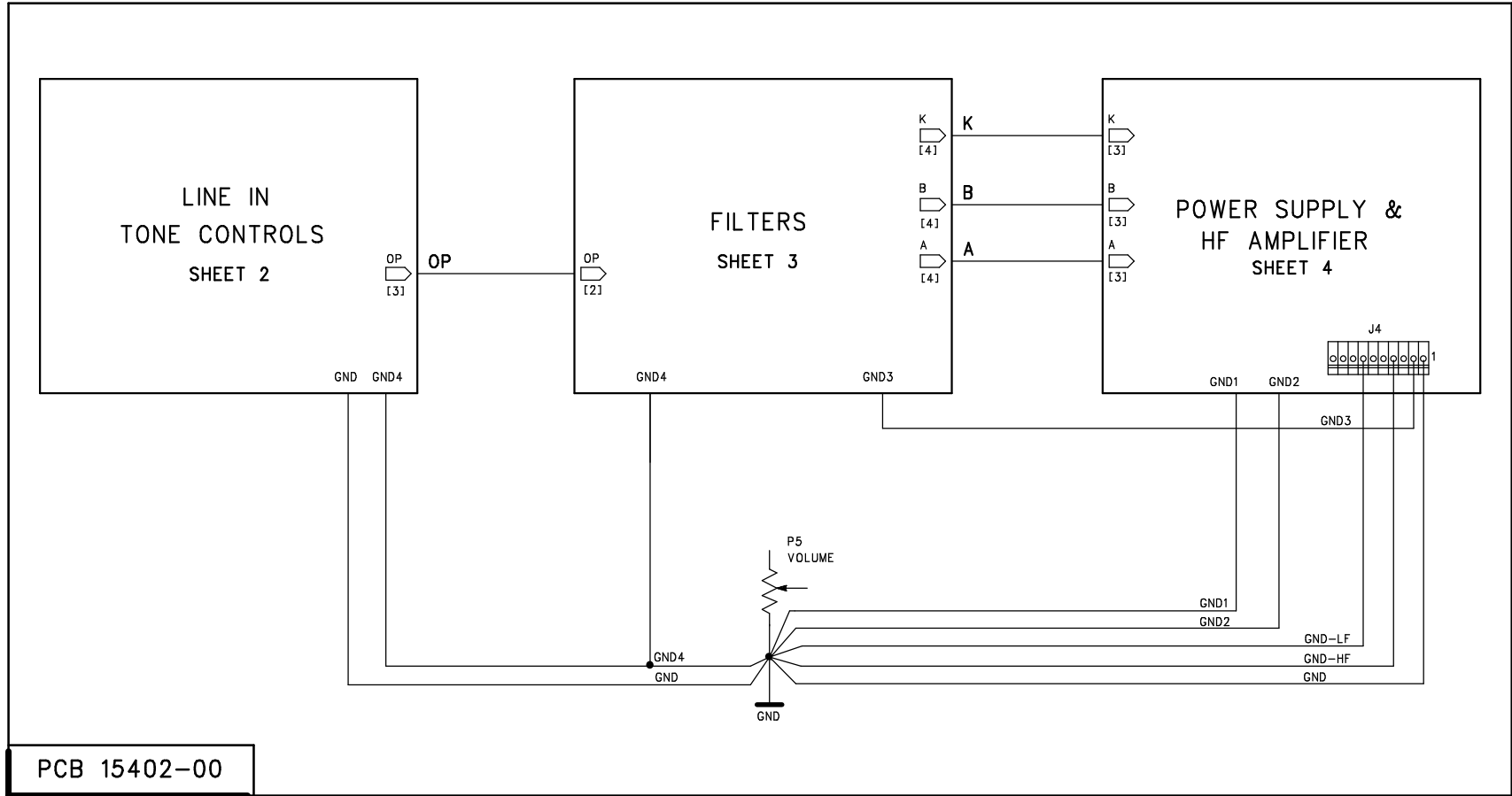
C

B

B

A

A



PCB 15402-00

[-] SHOW OFF-PAGE SHEET NUMBER

DRAWING:	DATED: 02-10-01	COMPANY: F.B.T. Elettronica Spa		
CHECKED:	DATED:	TITLE: CONNECTIONS DIAGRAM MAXX 6A		
QUALITY CONTROL:	DATED:	DRAWING CODE: SXXXXXXXX-XX	PCB CODE: 15402-00	SHEET 1 of 4
RELEASED:	DATED:			

6

5

4

3

2

1

D

D

C

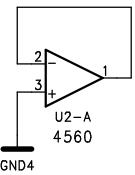
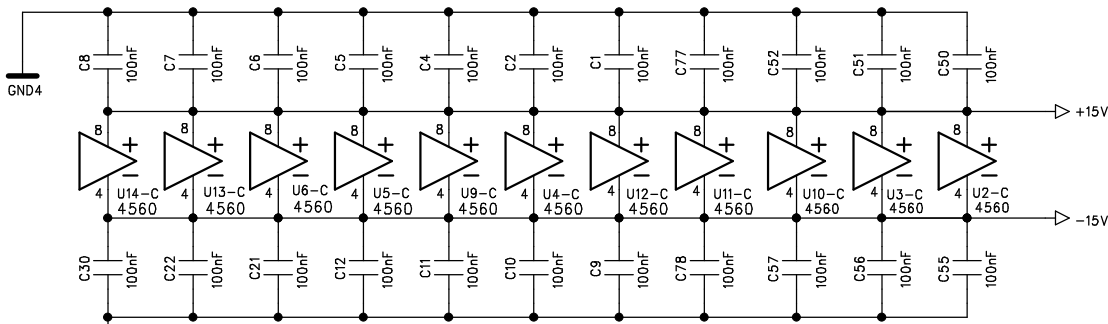
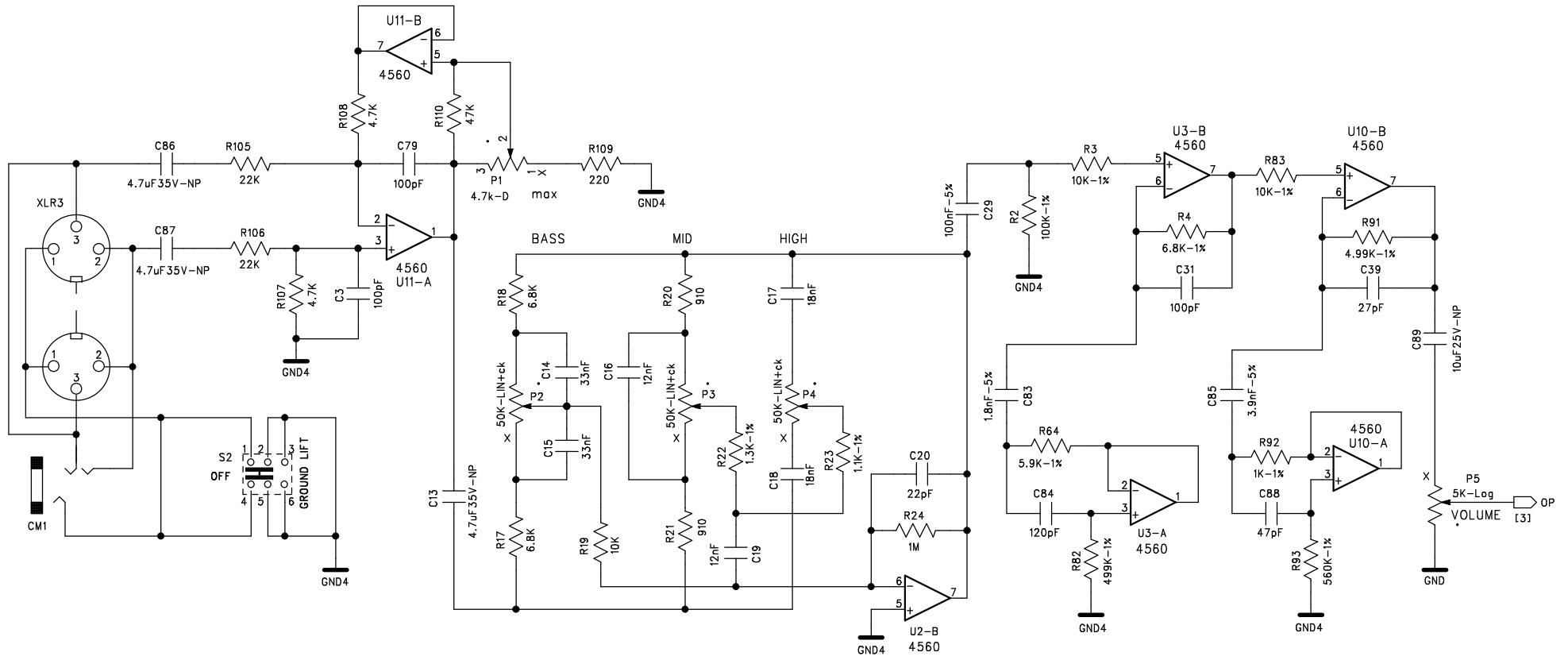
C

B

B

A

A



[-] SHOW OFF-PAGE SHEET NUMBER

DRAWING:	DATED: 02-10-01	COMPANY: F.B.T. Electronica Spa		
CHECKED:	DATED:	TITLE: LINE IN TONE CONTROLS MAXX 6A		
QUALITY CONTROL:	DATED:	DRAWING CODE: SXXXXXXXX-XX	PCB CODE: 15402-00	SHEET 2 of 4
RELEASED:	DATED:			

6

5

4

3

2

1

D

D

C

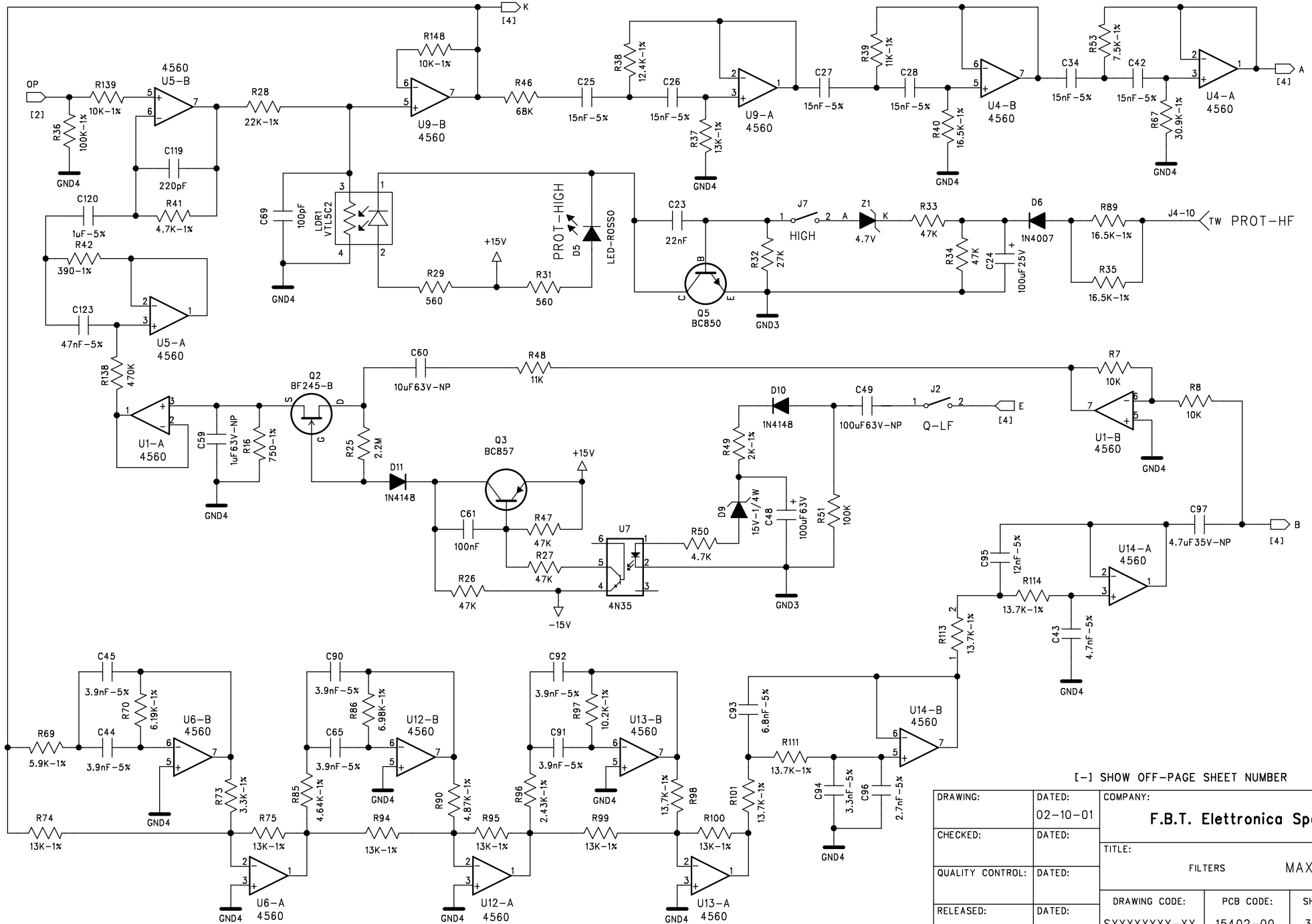
C

B

B

A

A



[-] SHOW OFF-PAGE SHEET NUMBER

DRAWING:	DATED:	COMPANY:		
CHECKED:	DATED:	F.B.T. Electronica Spa		
QUALITY CONTROL:	DATED:	FILTERS		MAXX 6A
RELEASED:	DATED:	DRAWING CODE:	PCB CODE:	SHEET
		SXXXXXXXX-XX	15402-00	3 of 4

6

5

4

3

2

1

D

D

C

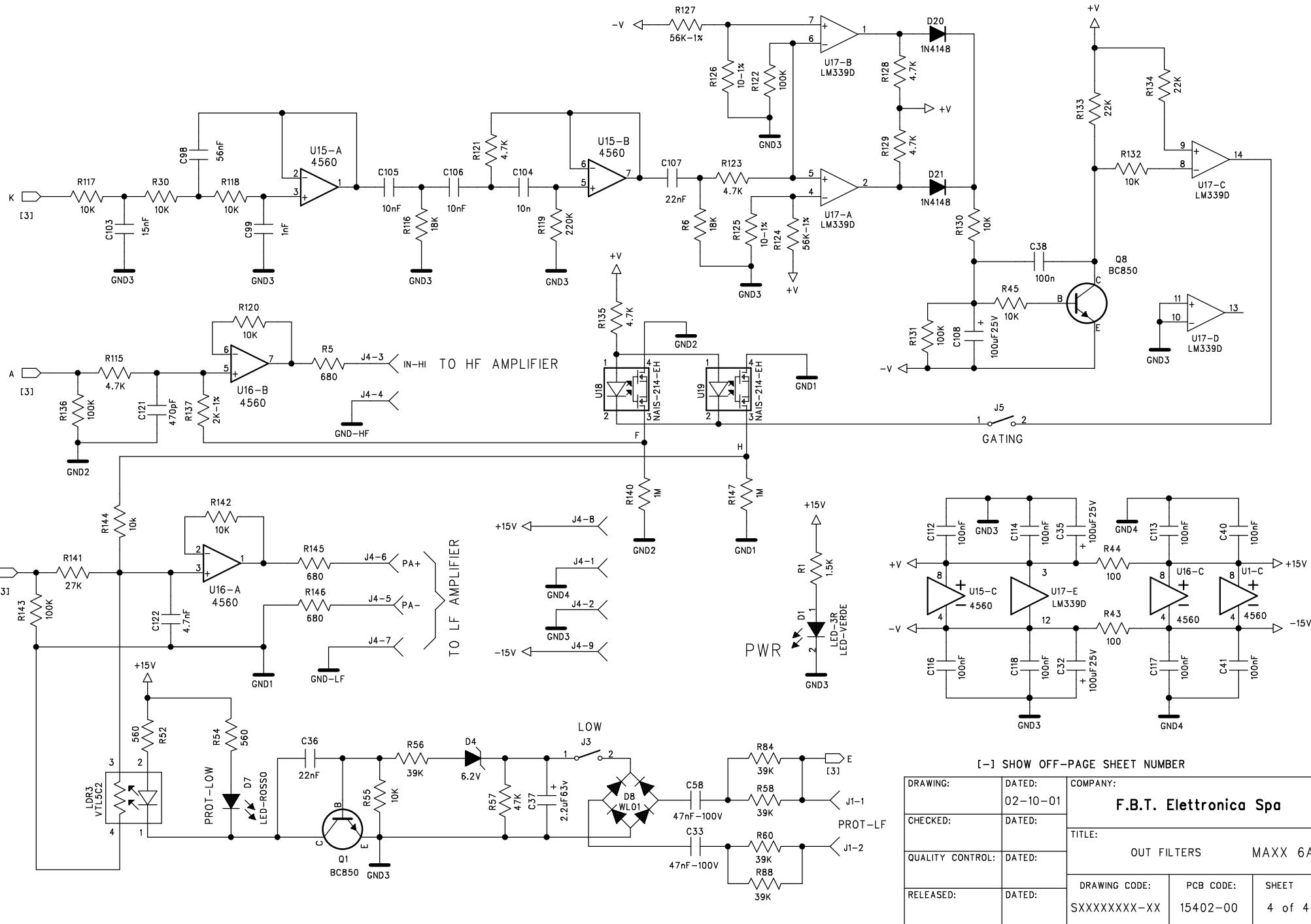
C

B

B

A

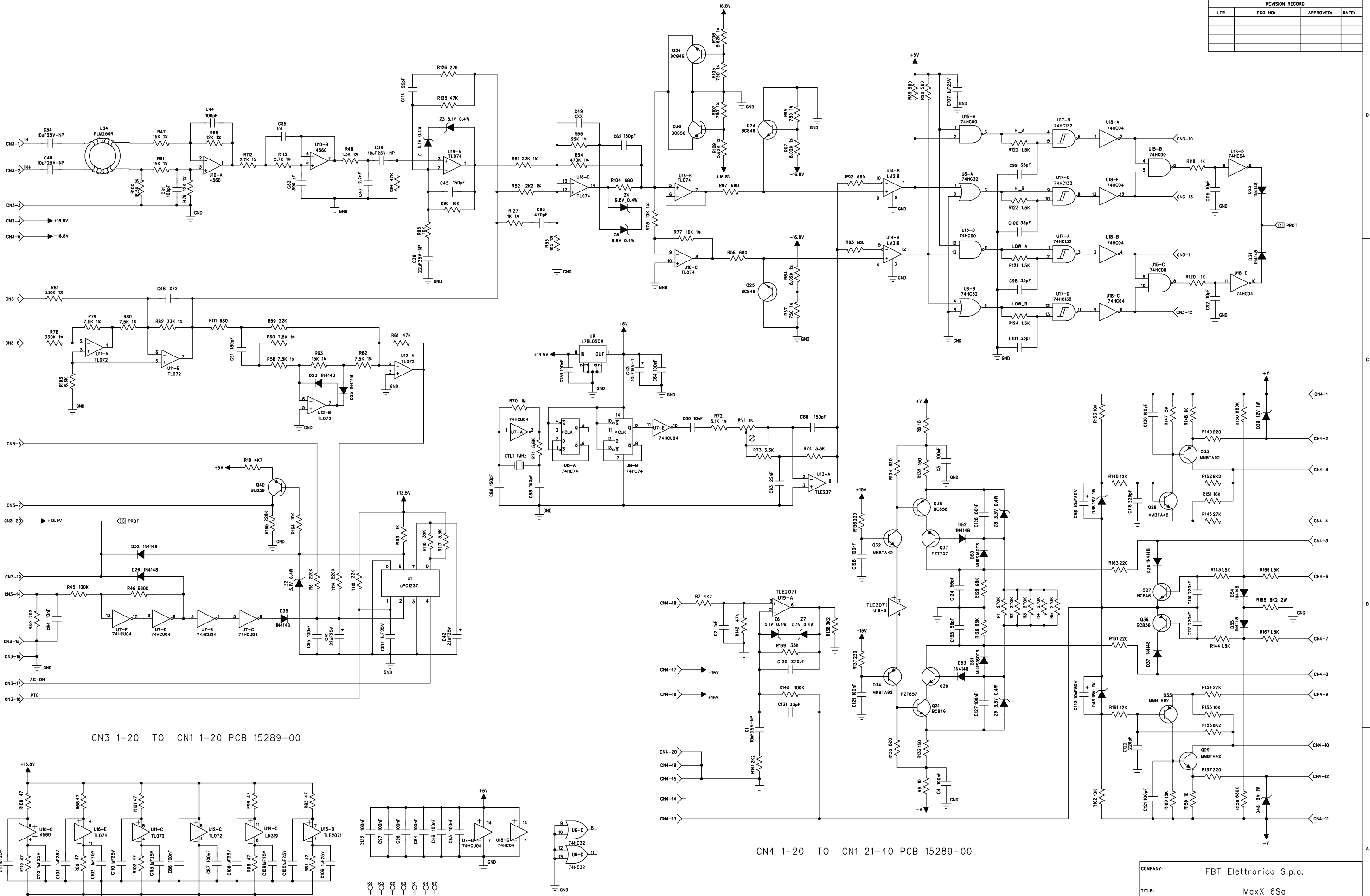
A



[-] SHOW OFF-PAGE SHEET NUMBER

DRAWING:	DATED:	COMPANY:		
	02-10-01	F.B.T. Elettronica Spa		
CHECKED:	DATED:	TITLE:		
		OUT FILTERS MAXX 6A		
QUALITY CONTROL:	DATED:	DRAWING CODE:	PCB CODE:	SHEET
RELEASED:	DATED:	SXXXXXXXX-XX	15402-00	4 of 4

REVISION RECORD			
LTR	ECO NO:	APPROVED:	DATE:



CN3 1-20 TO CN1 1-20 PCB 15289-00

CN4 1-20 TO CN1 21-40 PCB 15289-00

COMPANY:		FBT Electronica S.p.a.	
TITLE:		MaxX 6Sa Pre-amplifier Power Unit Low-High	
PCB NAME:	SIZE:	DRAWING:	REV:
15288-00		15288-00.SCH	
SCALE:	SHEET: 1 OF 2		

DRAWN:	DATED:
CHECKED:	DATED:
QUALITY CONTROL:	DATED:
RELEASED:	DATED:

D
C
B
A

D
C
B
A

