

DRAWING:	DATED:	COMPANY:		
CHECKED:	DATED:	F.B.T. Elettronica Spa		
QUALITY CONTROL:	DATED:	TITLE:		
RELEASED:	DATED:	MAXX 5A (preamplifier)		
		DRAWING :	PCB CODE:	SHEET
		291-03	18460	

REVISION RECORD			
LTR	ECD NO:	APPROVED:	DATE:

D

D

C

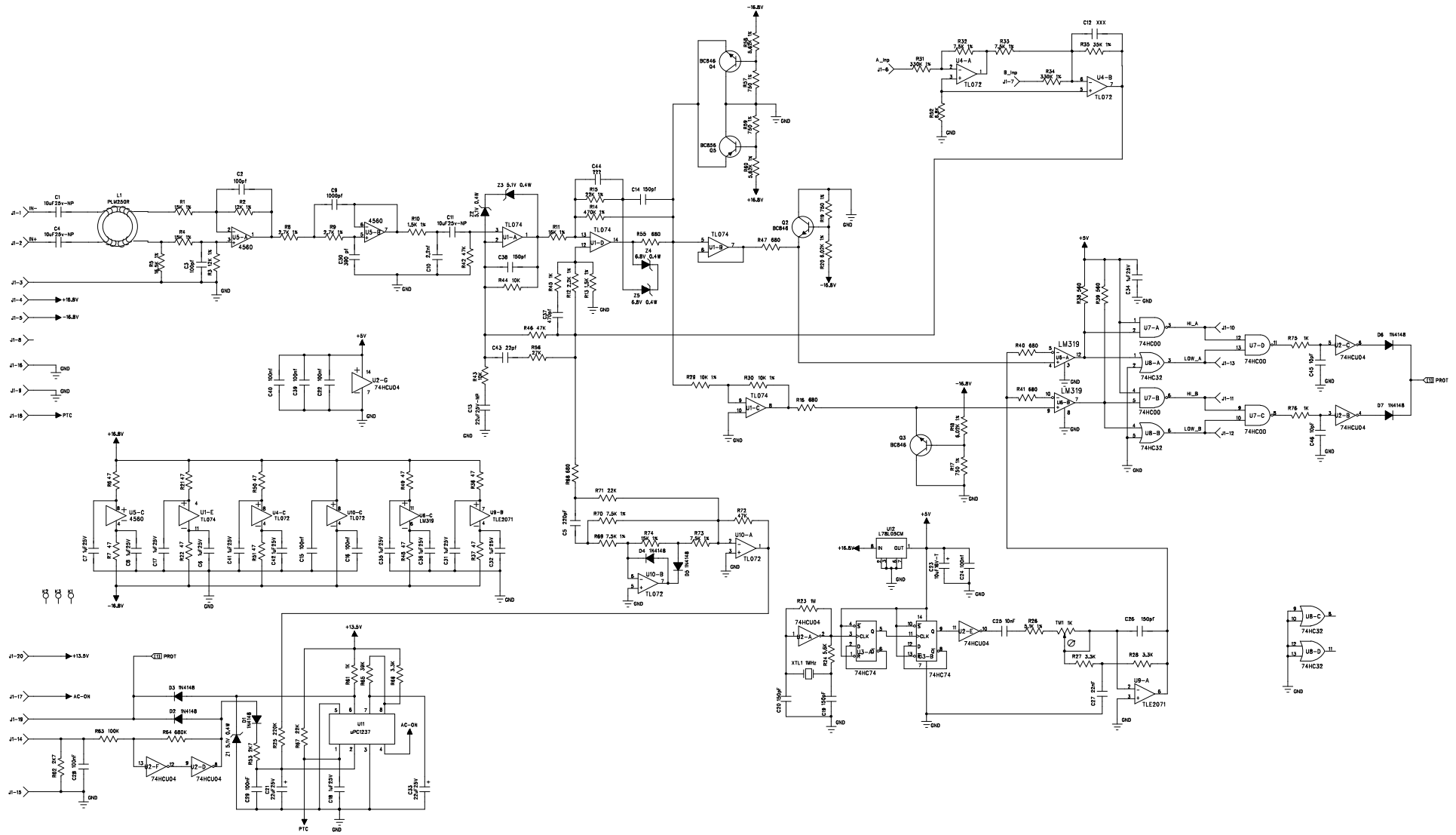
C

B

B

A

A



COMPANY:		F B T Elettronica S.p.a.			
TITLE:		MaxX 5a (MaxX 4a) preamplifier			
DRAWING:	DATE:	PCB NAME:	SIZE:	DRAWING NO:	REV:
CHECKED:	DATED:	16998		291-03	
QUALITY CONTROL:	DATED:				
RELEASED:	DATED:				
SCALE:					SHEET: 1 OF 1

DRAWING:	DATE:
CHECKED:	DATED:
QUALITY CONTROL:	DATED:
RELEASED:	DATED:

REVISION RECORD			
LTR	ECCO NO:	APPROVED:	DATE:

6 5 4 3 2 1

D

D

C

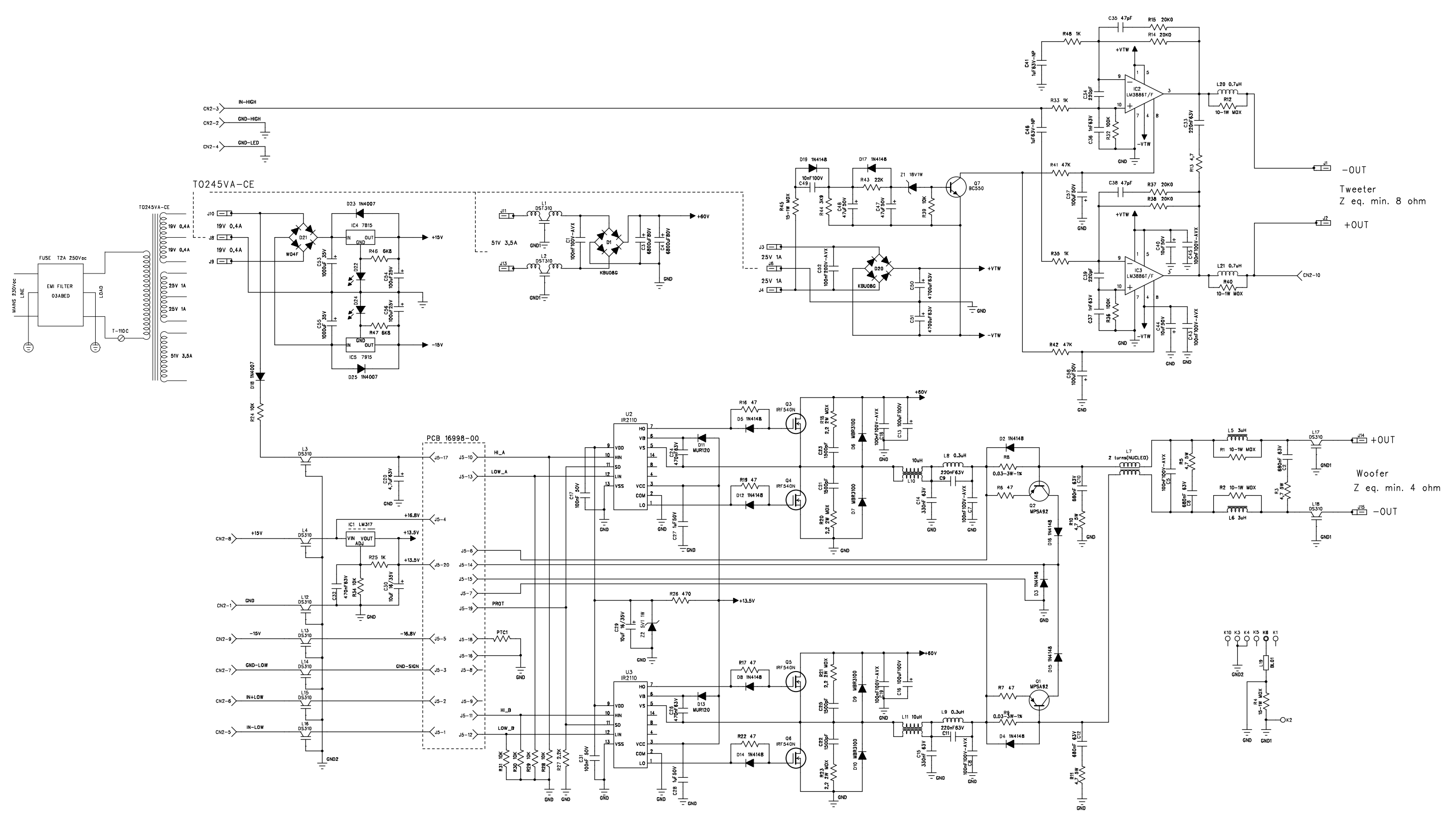
C

B

B

A

A



-OUT
Tweeter
Z eq. min. 8 ohm
+OUT

+OUT
Woofer
Z eq. min. 4 ohm
-OUT

COMPANY: F B T Elettronica S.p.a.			
TITLE: MaxX 5a POWER SUPPLY LF AMPLIFIER & HF AMPLIFIER			
DRAWN:	DATED: 13/05/03	PCB NAME: 18381	REV:
CHECKED:	DATED:	DRAWING NO: 18381.SCH	REV:
QUALITY CONTROL:	DATED:	SCALE: SHEET: 1 OF 1	
RELEASED:	DATED:		