

07-06-03		F.B.T. Electronica Spa	
TITLE: MAXX10SA (PREAMP)		PCB Name: 19118	
CODE:		DRAWING NO: 296-03	

D
C
B
A

D
C
B
A

6

5

4

3

2

1

LEFT CH

RIGHT CH

HP
FILTERED
OUT

HP
FILTERED
OUT

VOLUME

PA

OUT

OUT

CM1

CM2

GROUND
LIFT

LDR [2]

+15V

-15V

GND2

GND3

GND2

GND3

GND1

GND1

GND1

GND3

GND2

GND2

GND2

GND2

GND3

GND2

GND3

GND1

GND1

GND1

GND3

GND2

GND2

GND2

GND2

GND3

GND2

GND3

GND1

GND1

GND1

GND3

GND2

GND2

GND2

6

5

4

3

2

1

D

D

C

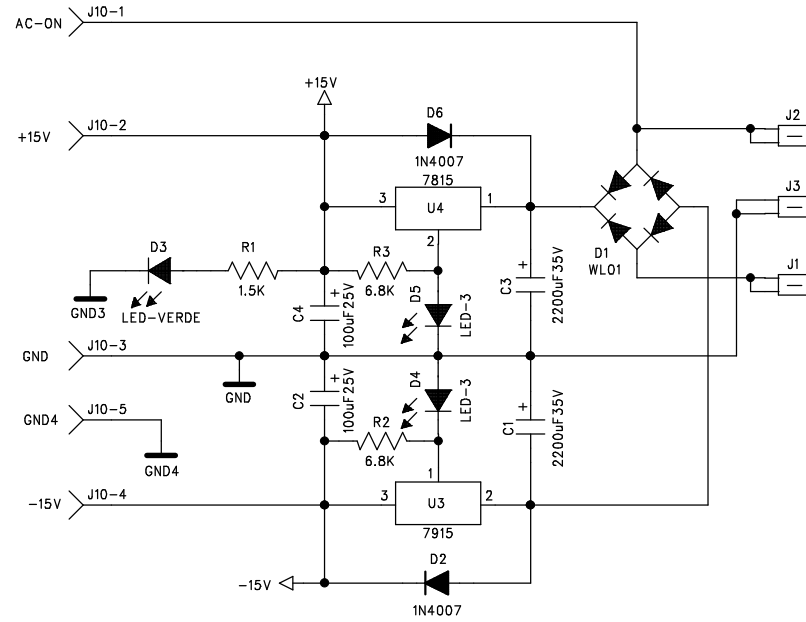
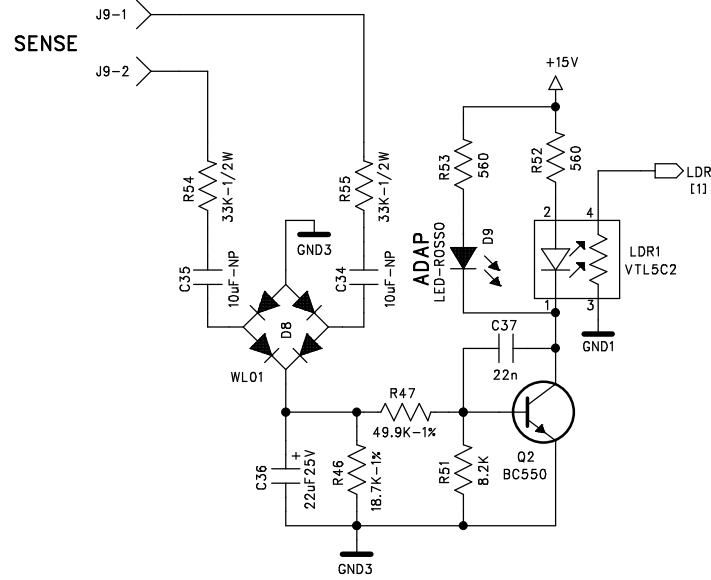
C

B

B

A

A



	07-06-03	COMPANY:	
		F.B.T. Electronica Spa	
		TITLE:	PCB Name:
		MAXX10SA(PREAMP)	19118
		SENSE POWER	SHEET 2 of 2
		CODE:	DRAWING NO:296-03

6

5

4

3

2

1

D

D

C

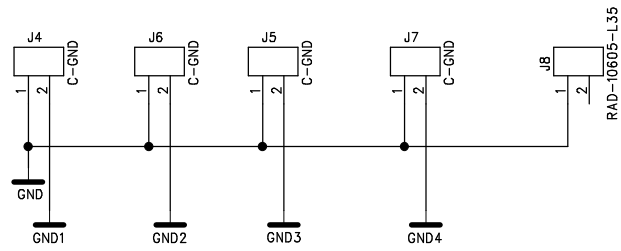
C

B

B

A

A



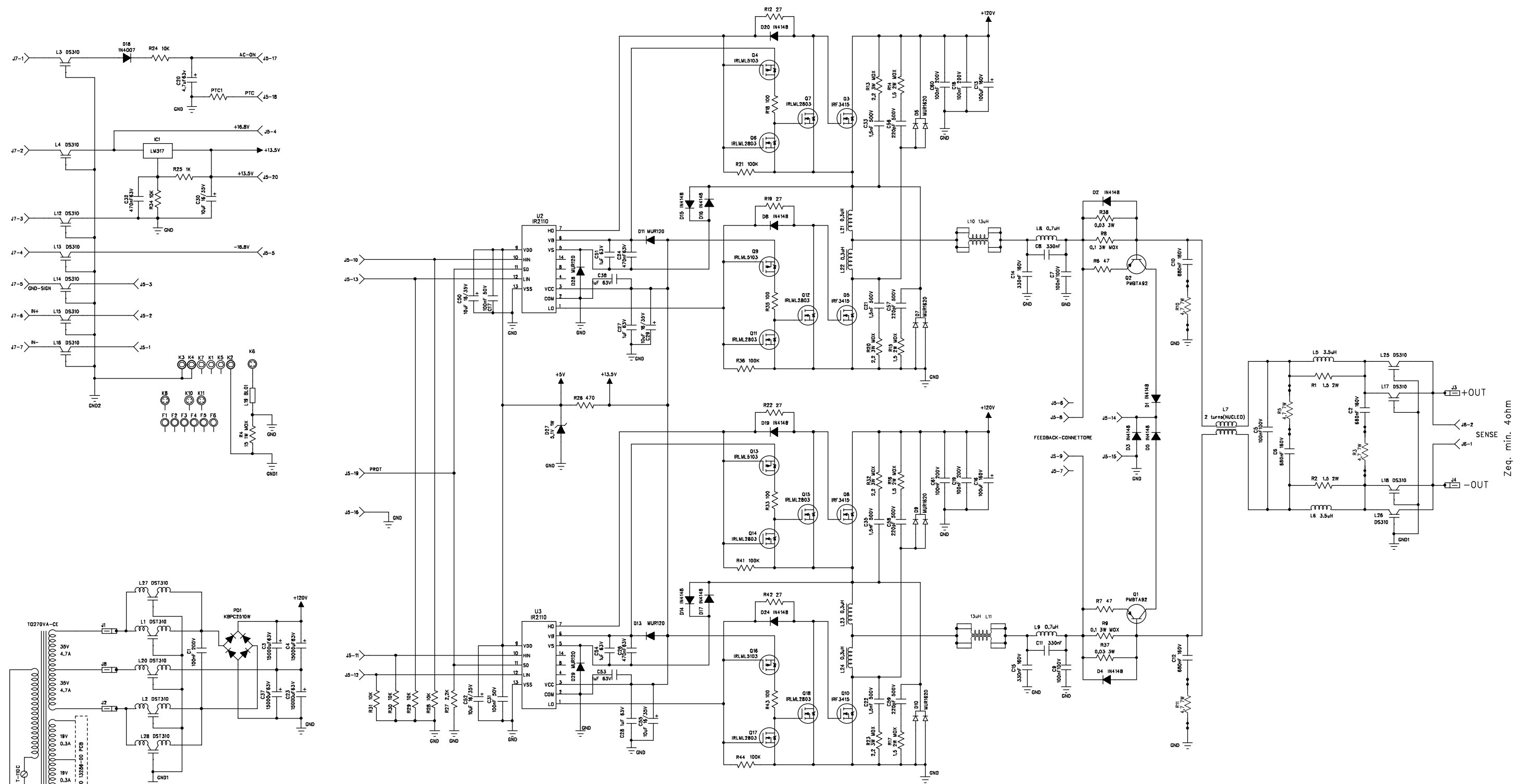
		COMPANY:	
		F.B.T. Electronica Spa	
		TITLE:	PCB Name:
		MAXX10SA (PREAMP)	19118 SHEET
		CODE:	DRAWING NO: 296-03

REVISION RECORD			
LTR	ECO NO.	APPROVED:	DATE:

6 5 4 3 2 1

D
C
B
A

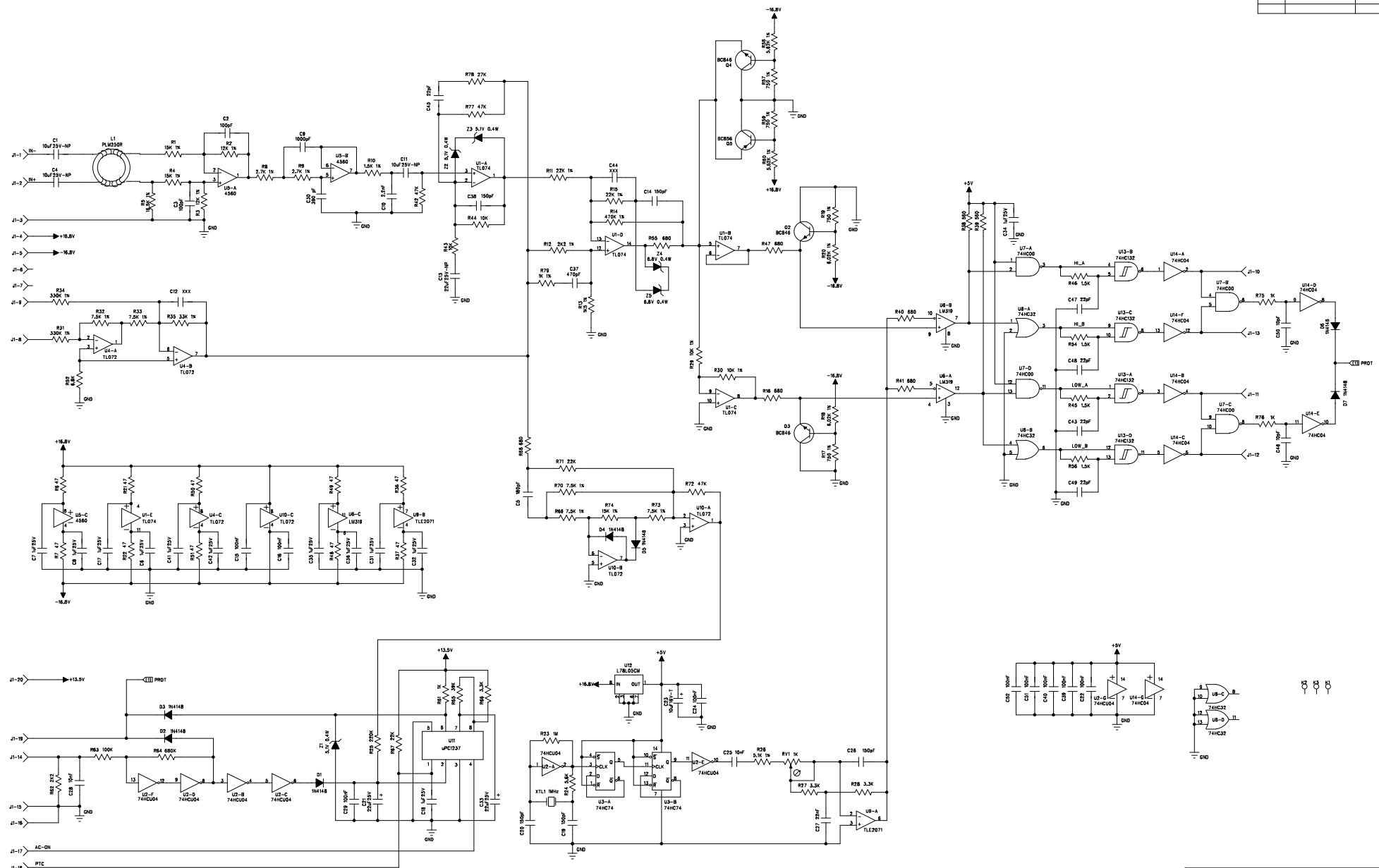
D
C
B
A



COMPANY:		F.B.T. Elettronica S.p.a.	
TITLE:		MaxX 9Sa MaxX 10Sa Power Amplifier	
DRAWN:	DATED:	PCB NAME:	DRAWING:
CHECKED:	DATED:	13142-05	13142-05.SCH
QUALITY CONTROL:	DATED:		
RELEASED:	DATED:		
SCALE:		SHEET: 1 OF 1	

Ze_q min. 4ohm

REVISION RECORD			
LTR	ECD NO:	APPROVED:	DATE:



COMPANY:		FBT Elettronica S.p.a.		
TITLE:		MaxX 9Sa/MaxX10Sa Pre-amplifier-Power Unit		
DRAWING:	DATE:	PCB NAME:	SIZE:	DRAWING:
	18/09/00	13141-01		297-03/296-03
CHECKED:	DATE:	RELEASED:	DATE:	SCALE:
SHEET: 1 OF 2				