

6

5

4

3

2

1

D

D

C

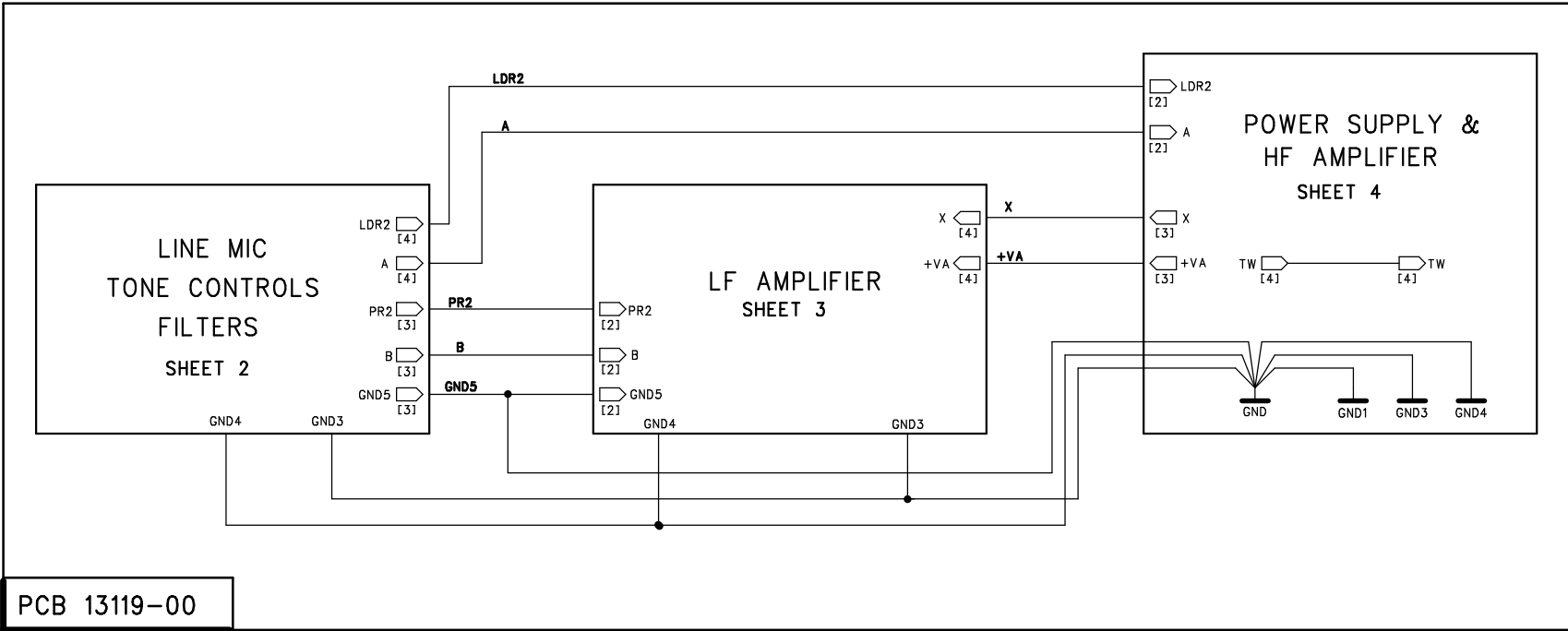
C

B

B

A

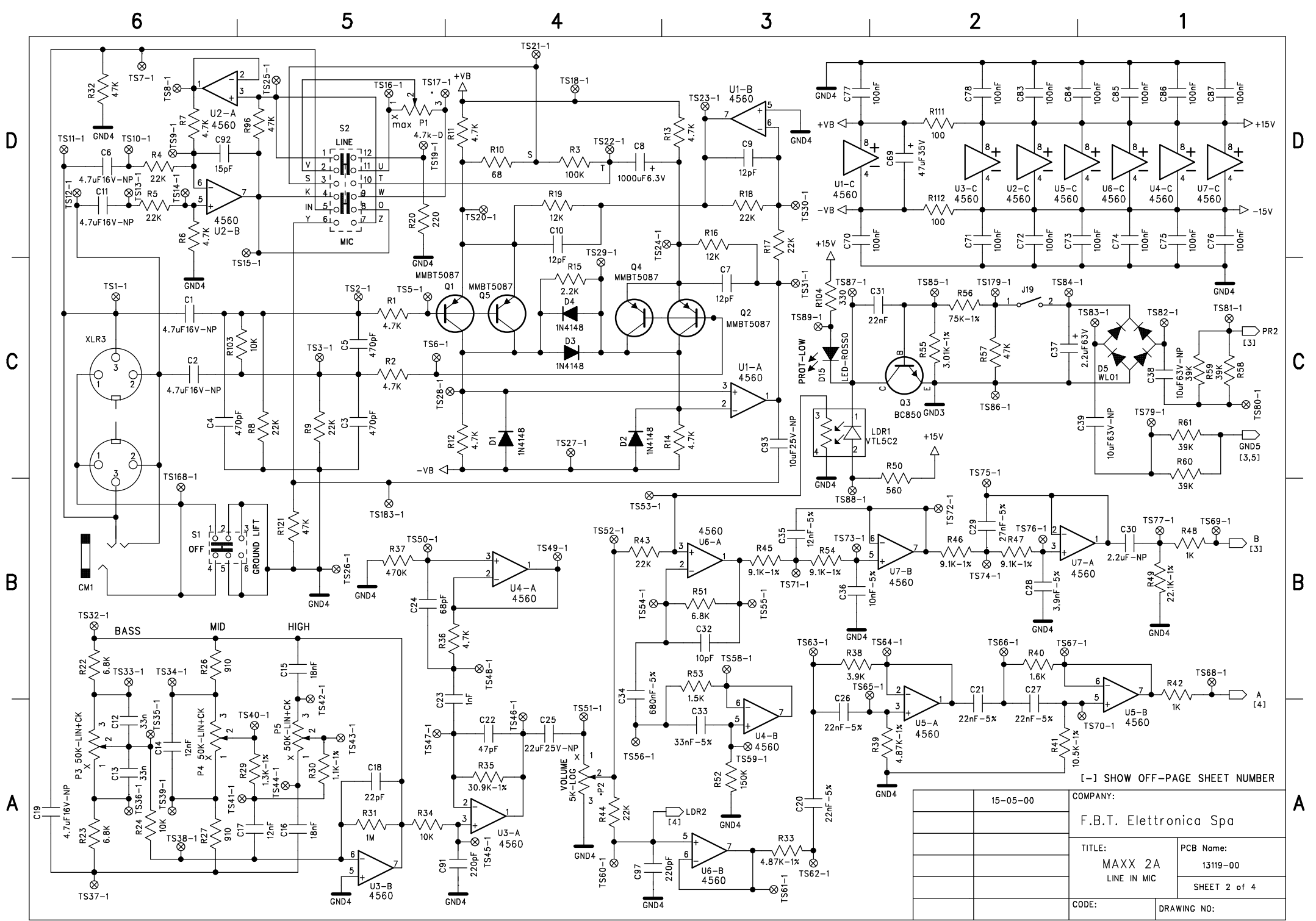
A



PCB 13119-00

[] SHOW OFF-PAGE SHEET NUMBER

	15-05-00	COMPANY:	
		F.B.T. Electronica Spa	
		TITLE:	PCB Name:
		MAXX-2A	13119-00
		CONNECTIONS DIAGRAM	SHEET 1 of 4
		CODE:	DRAWING NO:



[] SHOW OFF-PAGE SHEET NUMBER

15-05-00		COMPANY:	
		F.B.T. Electronica Spa	
TITLE:		PCB Name:	
MAXX 2A		13119-00	
		SHEET 2 of 4	
CODE:		DRAWING NO:	

6

5

4

3

2

1

D

D

C

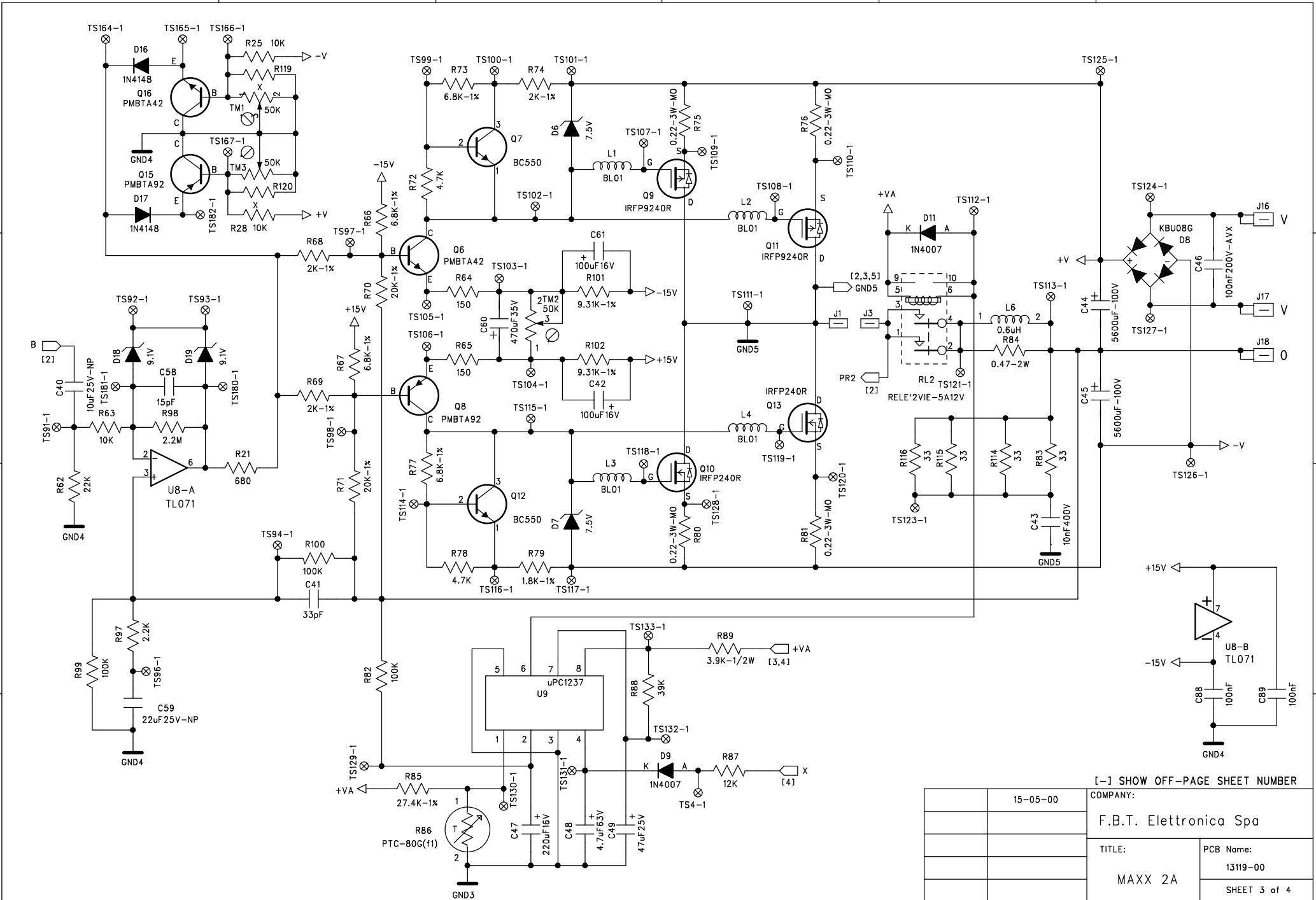
C

B

B

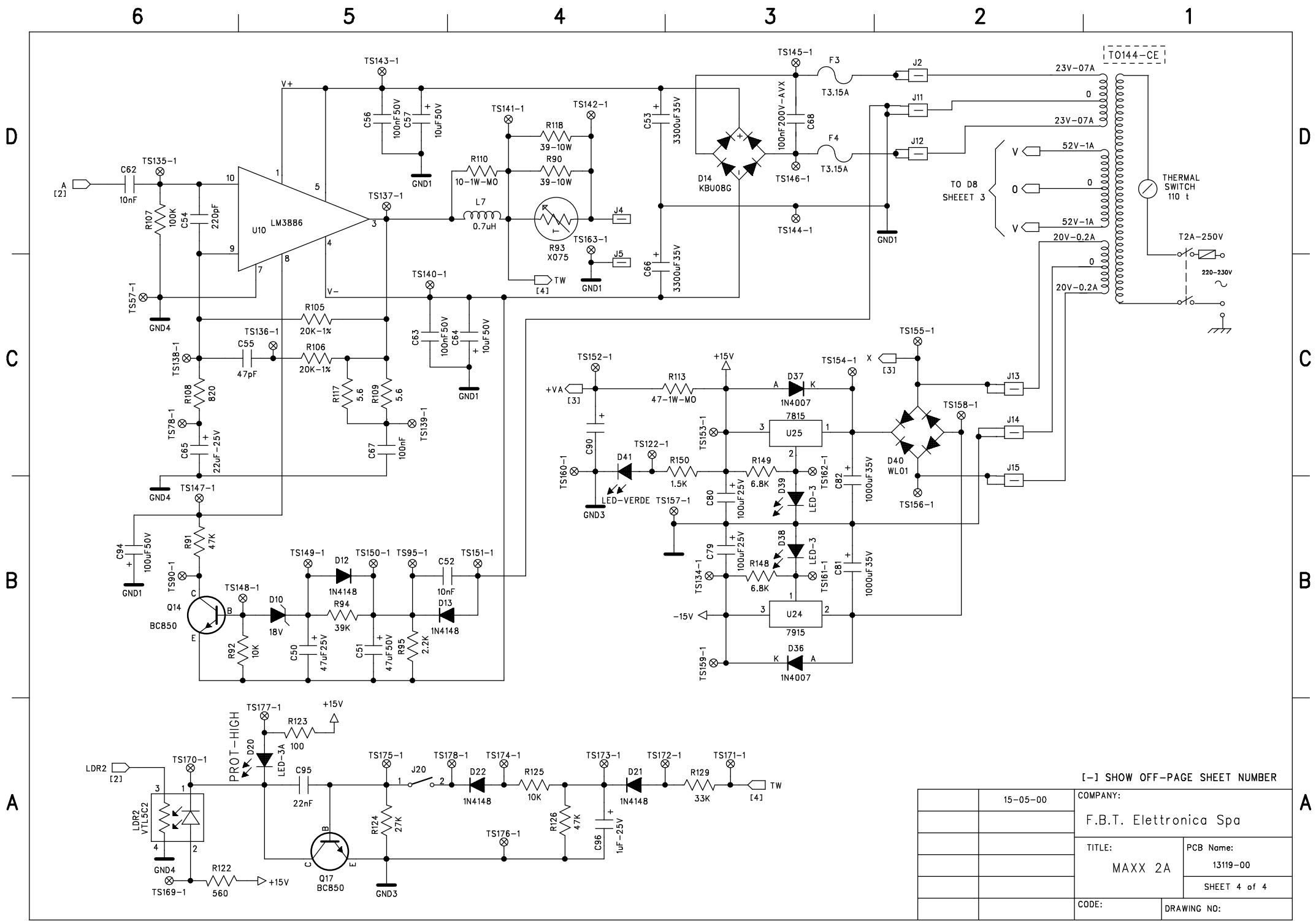
A

A



15-05-00		COMPANY:	
		F.B.T. Electronica Spa	
TITLE:		PCB Name:	
MAXX 2A		13119-00	
CODE:		DRAWING NO:	
		SHEET 3 of 4	

[] SHOW OFF-PAGE SHEET NUMBER



[] SHOW OFF-PAGE SHEET NUMBER

	15-05-00	COMPANY:	
		F.B.T. Electronica Spa	
		TITLE:	PCB Name:
		MAXX 2A	13119-00
			SHEET 4 of 4
		CODE:	DRAWING NO: