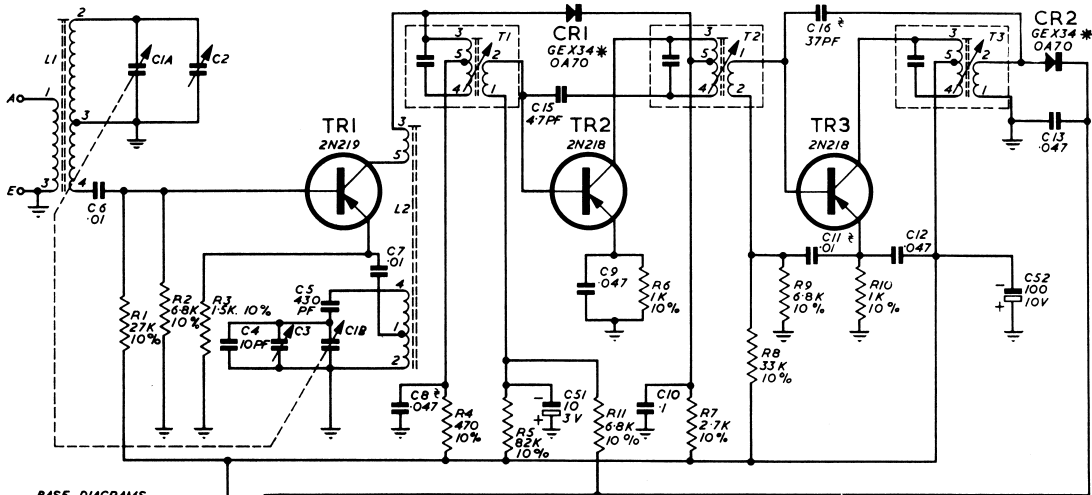


HEALING



BASE DIAGRAMS

2N217
2N218
2N219
2N408

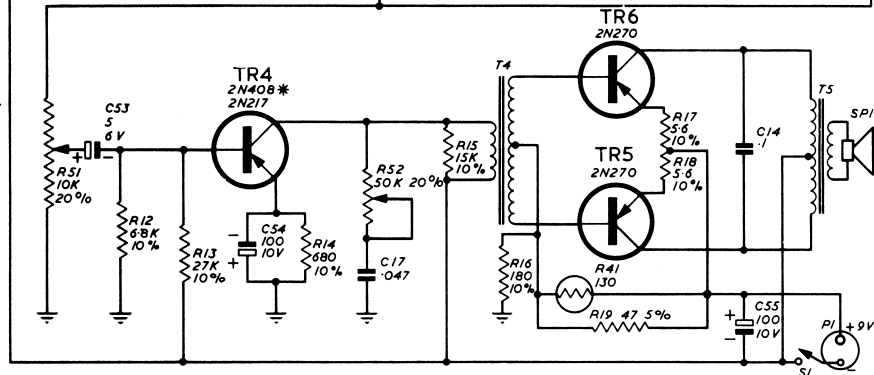


2N270



COLOUR CODING OF TRANSISTOR LEADS:

- E - YELLOW
- B - GREEN
- C - BLUE



NOTE: WHERE ALTERNATIVE TYPE GIVEN (*)
REPLACE WITH ORIGINAL TYPE
WHERE POSSIBLE.

ALL CAPACITIES IN MICROFARAD UNLESS OTHERWISE SPECIFIED.
ALL RESISTANCES IN OHMS " " "
ALL CAPACITOR TOLERANCE 20% " " "
ALL CAPACITORS 200 VOLT " " "

‡ IN SOME MODELS C8 WAS .33
C11 WAS .047
C16 WAS 56PF

COMPONENTS LIST

CIRCUIT NO.	DESCRIPTION
L1	Aerial Coil, Type RJ 144.
L2	Oscillator Coil, Type RJ 139.
R41	Thermal Resistor (N.T.C.), 130 Ohm.
SP1	Speaker, Type 5F.
T1, T2	I.F. Transformer, Type RJ 140.
T3	I.F. Transformer, Type RJ 141.
T4	Driver Transformer, Type DR7.
T5	Output Transformer, Type LTR6.

ALTERNATIVE TRANSISTOR TYPES USED IN THIS RECEIVER.			
2N219	2SA15		
2N218	2SA12		
2N217	2SB77	2N408	2N215
2N270	2SB79	HJ34A	